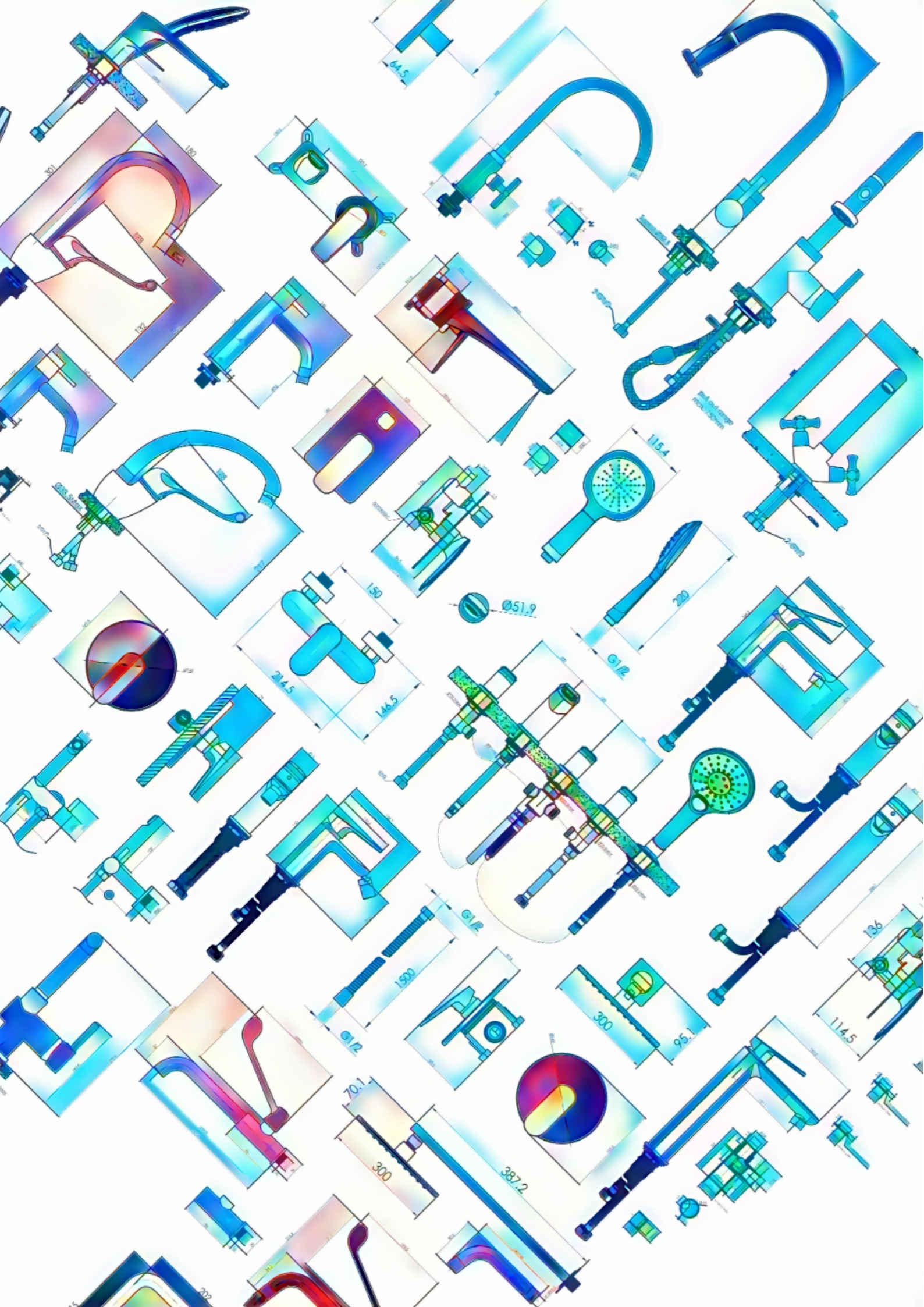




Bathroom Products
TECHNICAL BOOK





Index

Bathroom Faucet	1
Bathroom Shower	2
Toilet	3
Ceramic.	4
Bathroom Accessories.	5
Angle Valve	6
Kitchen Faucet.	7
Kitchen Sink	8
Floor Drain	9



**TOUCH
OF
GOLD**

*JUST A KISS OF
CONTRASTING COLOR*

SIMPLICITY AT ITS FINEST
Keeping it simple is great

**MODERN
INSPIRED
DESIGN**



**feel different
and unique**



Specifications

kitchen & oth
LUXURY BATHROOM ACCESSORIES

Basin Mixer

DESCRIPTION

- Single-lever handle provides precise control of water flow and temperature.
- Durable ceramic disc valves exceed industry longevity standards, ensuring a lifetime of reliable performance.
- Complements the full series to create a unified bathroom design.
- Standard flow rate: 2.2 GPM (9 L/min) at 60 PSI (4.1 bar).
- Optional low-flow options for water conservation: 1.0 GPM (4 L/min) or 1.5 GPM (6 L/min).
- Temperature adjustment is controlled within a 25° arc of handle travel.
- Features a clear hot and cold temperature indicator

MATERIAL

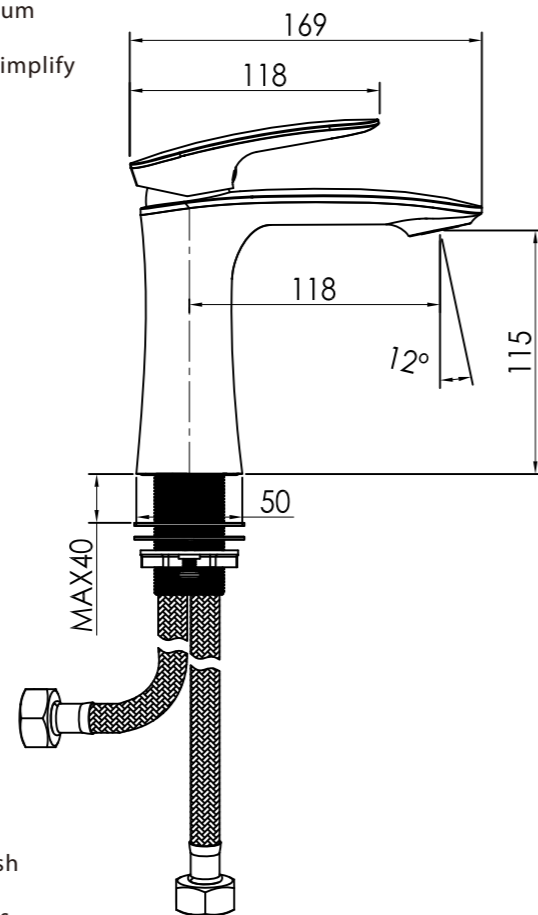
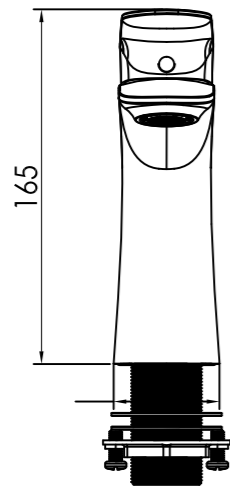
- Premium brass construction ensures durability and long-lasting performance.
- High-quality surface finishes resist corrosion and tarnishing for a refined appearance.

INSTALLATION

- Designed for single-hole deck mounting with a minimum diameter of 1-3/8" (35 mm).
- Pre-attached flexible hot and cold water supply lines simplify installation.

AVAILABLE COLORS

- Chrome Polished
- PVD Nickel Brushed
- PVD Hairline Gun Grey
- Matte Black Plus
- PVD Gold Hairline
- PVD Gold Glossy



CRITICAL DIMENSIONS
(Do not scale drawings)

WARRANTY

- Lifetime limited warranty against leaks, drips, and finish defects for the original homeowner.
- Five-year limited warranty for commercial installations.

For detailed warranty information, please visit our website.

KNB Co. reserves the right to revise product specifications without prior notice.



Specifications

kitchen & oth
LUXURY BATHROOM ACCESSORIES

Basin Mixer

DESCRIPTION

- Single-lever handle provides precise control of water flow and temperature.
- Durable ceramic disc valves exceed industry longevity standards, ensuring a lifetime of reliable performance.
- Complements the full series to create a unified bathroom design.
- Standard flow rate: 2.2 GPM (9 L/min) at 60 PSI (4.1 bar).
- Optional low-flow options for water conservation: 1.0 GPM (4 L/min) or 1.5 GPM (6 L/min).
- Temperature adjustment is controlled within a 25° arc of handle travel.
- Features a clear hot and cold temperature indicator

MATERIAL

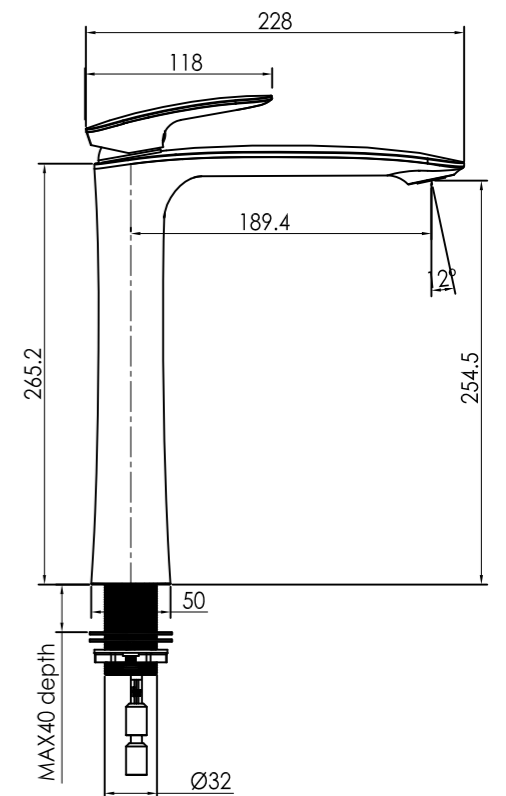
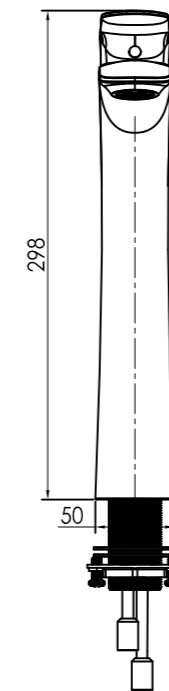
- Premium brass construction ensures durability and long-lasting performance.
- High-quality surface finishes resist corrosion and tarnishing for a refined appearance.

INSTALLATION

- Designed for single-hole deck mounting with a minimum diameter of 1-3/8" (35 mm).
- Pre-attached flexible hot and cold water supply lines simplify installation.

AVAILABLE COLORS

- Chrome Polished
- PVD Nickel Brushed
- PVD Hairline Gun Grey
- Matte Black Plus
- PVD Gold Hairline
- PVD Gold Glossy



CRITICAL DIMENSIONS
(Do not scale drawings)

WARRANTY

- Lifetime limited warranty against leaks, drips, and finish defects for the original homeowner.
- Five-year limited warranty for commercial installations.

For detailed warranty information, please visit our website.

KNB Co. reserves the right to revise product specifications without prior notice.





Specifications

Wall Mounted Basin Mixer

DESCRIPTION

- Single lever handle easy control volume and temperature.
- Durable ceramic disc valves exceed industry longevity standards for a lifetime of performance.
- Coordinates with full series to complete your bathroom unify style
- Regular flowrate: 2.2gpm(9L/min) at 60psi(4.1 bar)
- Low-flow water consumption available for water saving purpose 1.0gpm(4L) / 1.5gpm(6L) are optional
- Temperature controlled by 25° arc of handle travel
- Includes Mark for hot & cold temperature indicator

MATERIAL

- Main Brass Casting Construction
- Premium finishes surface processing resist corrosion and tarnishing

INSTALLATION

- This Faucet is designed for wall mounted
- Pre-buried conceal water pipe
- Install this product according to the installation instructions.

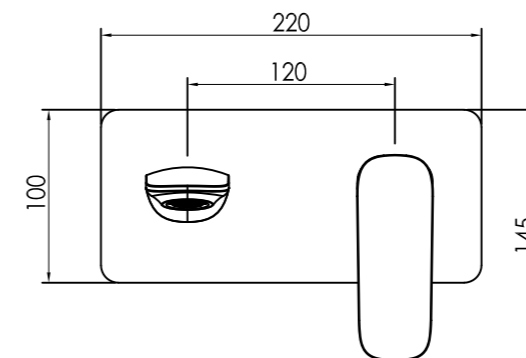
COLORS OPTIONAL

- Chrome Polished
- PVD Nickel Brushed
- PVD Hairline Gun Grey
- Metal Black Matte Plus
- PVD Gold Hairline
- PVD Gold Glossy



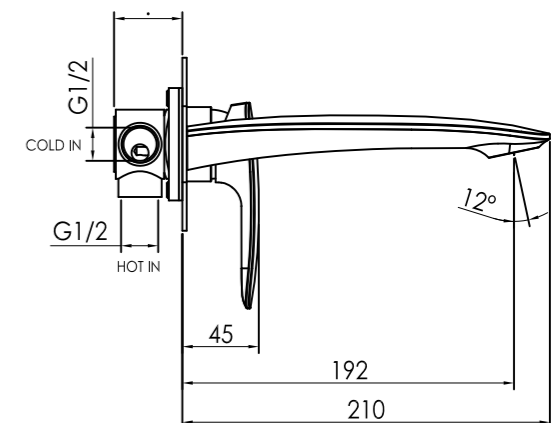
AL-8604

(57 mm to 83 mm)
Rough-In Depth



CRITICAL DIMENSIONS

(Do not scale drawings)



WARRANTY

- Lifetime limited warranty against leaks, drips, and finish defects for the original homeowner.
- Five-year limited warranty for commercial installations.

For detailed warranty information, please visit our website.

KNB Co. reserves the right to revise product specifications without prior notice.



Save Earth

No matter the result, remember to recycle, reuse, and flatten when clean.



It adds a jazzy twist even if your space is minimal
adds to the elegance of your bathroom



Specifications

kitchen & oth
LUXURY BATHROOM ACCESSORIES



Concealed Shower Mixer Set

DESCRIPTION

- Single-lever handle provides precise control of water flow and temperature.
- Durable ceramic disc valves exceed industry longevity standards, ensuring a lifetime of reliable performance.
- Complements the full series for a cohesive and unified bathroom design.
- Temperature adjustment controlled within a 25° arc of handle travel.
- Features clear hot and cold temperature indicators.
- Two functions for showerhead and hand shower, offering multiple purposes with an integrated diverter for seamless switching between tub and shower applications.
- Standard flow rate for showerhead: 2.5 GPM (9 L/min); optional low-flow rates (1.2 GPM / 1.6 GPM) for water-saving purposes.
- Standard flow rate for hand shower: 2.5 GPM (9 L/min); optional low-flow rates (1.2 GPM / 1.6 GPM) for water-saving purposes.

MATERIAL

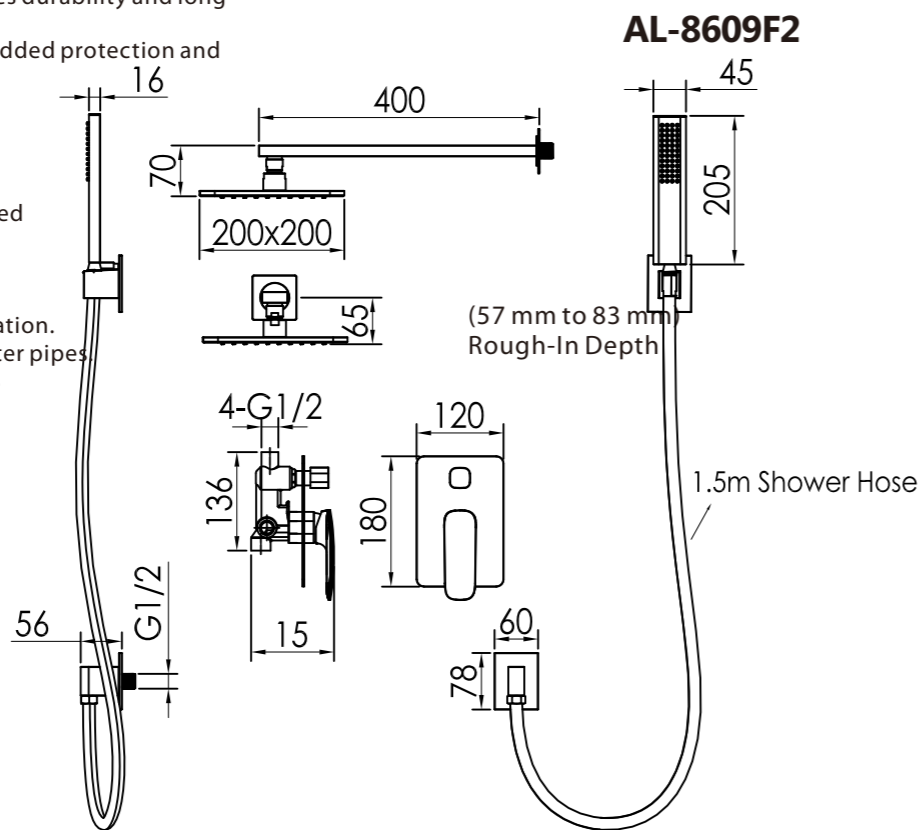
- Premium brass construction ensures durability and long-lasting performance.
- SUS chrome-plated wall cover for added protection and aesthetic appeal.
- Brass hand shower with a 1.5 m SUS304 shower hose.
- Brass water outlet elbow adaptor.
- High-quality surface finishes resist corrosion and tarnishing for a refined appearance.

INSTALLATION

- Designed for wall-mounted installation.
- Requires pre-buried concealed water pipes.
- Follow the installation instructions for proper setup.

AVAILABLE COLORS

- Chrome Polished
- PVD Nickel Brushed
- PVD Hairline Gun Grey
- Matte Black Plus
- PVD Gold Hairline
- PVD Gold Glossy



CRITICAL DIMENSIONS
(Do not scale drawings)

WARRANTY

- Lifetime limited warranty against leaks, drips, and finish defects for the original homeowner.
- Five-year limited warranty for commercial installations.

For detailed warranty information, please visit our website.

KNB Co. reserves the right to revise product specifications without prior notice.



Specifications

kitchen & oth
LUXURY BATHROOM ACCESSORIES



Concealed Shower Mixer Set

DESCRIPTION

- Single-lever handle provides precise control of water flow and temperature.
- Durable ceramic disc valves exceed industry longevity standards, ensuring a lifetime of reliable performance.
- Complements the full series for a cohesive and unified bathroom design.
- Temperature adjustment controlled within a 25° arc of handle travel.
- Features clear hot and cold temperature indicators.
- Two functions for showerhead and hand shower, offering multiple purposes with an integrated diverter for seamless switching between tub and shower applications.
- Standard flow rate for showerhead: 2.5 GPM (9 L/min); optional low-flow rates (1.2 GPM / 1.6 GPM) for water-saving purposes.
- Standard flow rate for hand shower: 2.5 GPM (9 L/min); optional low-flow rates (1.2 GPM / 1.6 GPM) for water-saving purposes.
- Standard flow rate for bathtub spout: 3.2 GPM (12 L/min);

MATERIAL

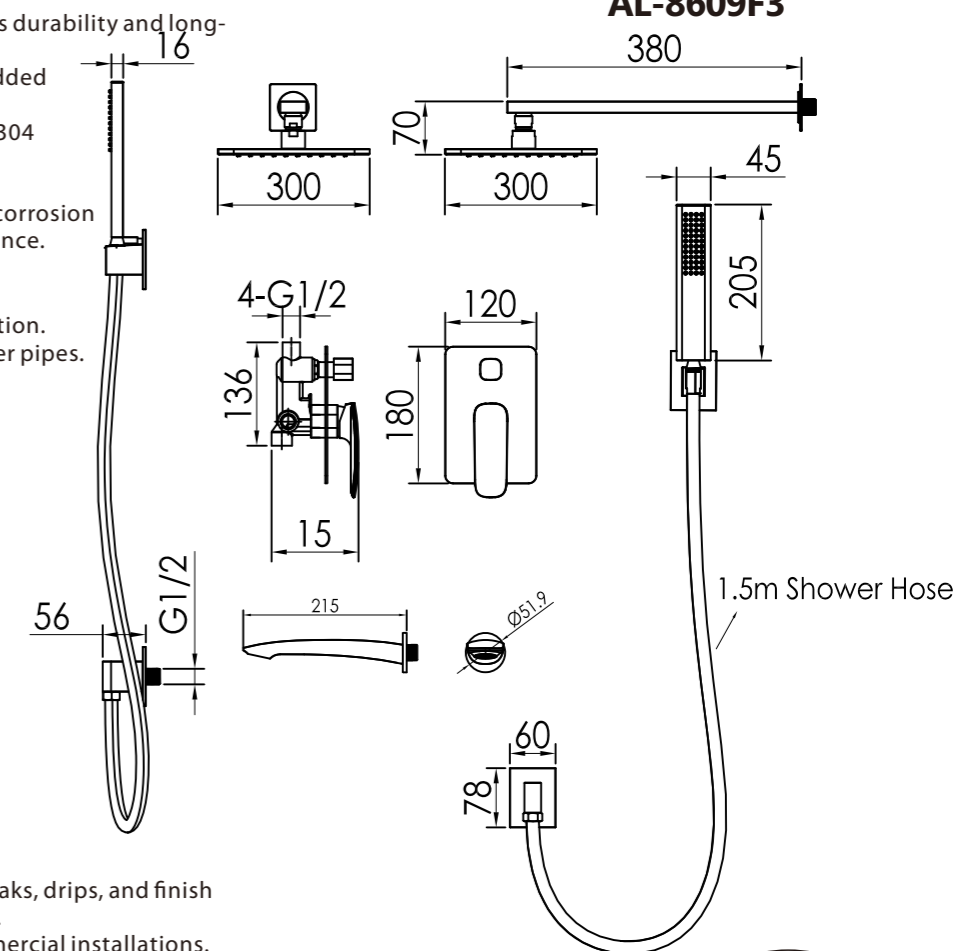
- Premium brass construction ensures durability and long-lasting performance.
- SUS chrome-plated wall cover for added protection and aesthetic appeal.
- Brass hand shower with a 1.5 m SUS304 shower hose.
- Brass water outlet elbow adaptor.
- High-quality surface finishes resist corrosion and tarnishing for a refined appearance.

INSTALLATION

- Designed for wall-mounted installation.
- Requires pre-buried concealed water pipes.
- Follow the installation instructions for proper setup.

AVAILABLE COLORS

- Chrome Polished
- PVD Nickel Brushed
- PVD Hairline Gun Grey
- Matte Black Plus
- PVD Gold Hairline
- PVD Gold Glossy



CRITICAL DIMENSIONS
(Do not scale drawings)

WARRANTY

- Lifetime limited warranty against leaks, drips, and finish defects for the original homeowner.
- Five-year limited warranty for commercial installations.

For detailed warranty information, please visit our website.

KNB Co. reserves the right to revise product specifications without prior notice.



Designed for smaller basins or compact spaces, the short basin mixer provides smooth and effortless water flow with precise temperature control.

Its ergonomic handle ensures a comfortable grip, while its durable build guarantees long-lasting performance. Perfect for those seeking style and practicality in a compact design, this mixer is a timeless addition to any bathroom.

Elevate your bathroom's sophistication with the extended square design chrome-finished basin mixer. Crafted for larger basins or counter top installations, its taller profile and striking angular lines create a bold, modern statement. The chrome finish provides a sleek, polished look that seamlessly fits a variety of bathroom styles.



A PERFECT BLENDED OF MODERNIZED AESTHETICS AND FUNCTIONAL PRECISION

LUXURY AND SOPHISTICATION

DEFECTS ALL
BATHROOM INSPIRE

Imagine the impact of golden towel racks and accessories



DISPLAY AS IDENTICAL AS POSSIBLE TO MAKE THE BIGGEST IMPACT POSSIBLE

Sometimes a bold piece of wood doesn't need to be refined it needs to be displayed just as it is. Bring in a bold, wood-made item and have its main textures feel as authentic to the room as possible. It's about taking the natural state of the wood and having it become its focal point from every angle. Make your vanity as authentic as possible by keeping it true to form the entire time.

Okay, Okay, so you want to upgrade your vanity, but don't exactly want to change it too much, here's what you do: you bring in an eclectic mirror. Having an eclectic mirror just does something to the room that is undeniably charming the moment you walk in. It's all about having that bold appeal that enhances the room no matter what else you add to it. Consider bring in a metallic finished mirror.



ONE OF THE BEST THINGS YOU CAN DO FOR YOUR SPACE



kitchen & oth
LUXURY BATHROOM ACCESSORIES

Specifications

Shower Mixer Set

DESCRIPTION

- Telescopic chrome shower column
- Single lever handle easy control volume and temperature.
- Durable ceramic disc valves exceed industry longevity standards for a lifetime of performance.
- Coordinates with full series to complete your bathroom unify style
- Regular flowrate for spout: 4.5gpm(18L/min) at 60psi(3 bar) shower head flowrate: 3.2gpm(9-12L/min) hand shower flowrate: 2.3gpm(6-9L/min)
- Water saving consumption (1.2gpm /1.6gpm are optional) for hand shower and shower head
- Temperature controlled by 25° arc of handle travel
- Three functional switch for bathtub spout, hand shower and shower head.
- It comes with 1.5m SUS304 shower hose
- Includes Mark for hot & cold temperature indicator

MATERIAL

- Main brass casting construction
- Zinc handle casting part
- ABS shower holder
- Metal Shower head
- SUS304 shower column
- Brass hand shower
- Premium finishes resist corrosion and tarnishing

INSTALLATION

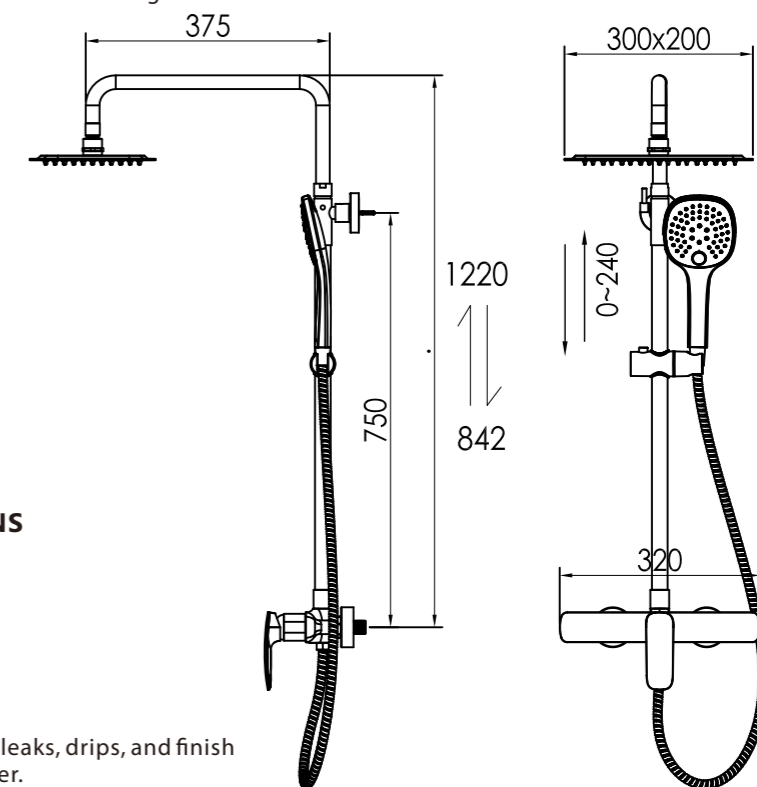
- This Faucet is designed for two hole wall mount mid to mid 150mm, 3/4" elbow adaptor.

COLORS OPTIONAL

- Chrome Polished
- PVD Nickel Brushed
- PVD Hairline Gun Grey
- Metal Black Matte Plus
- PVD Gold Hairline
- PVD Gold Glossy

CRITICAL DIMENSIONS

(Do not scale drawings)



AL-8805

WARRANTY

- Lifetime limited warranty against leaks, drips, and finish defects for the original homeowner.
- Five-year limited warranty for commercial installations.

For detailed warranty information, please visit our website.

KNB Co. reserves the right to revise product specifications without prior notice.



Save Earth

No matter the result, remember to recycle, reuse, and flatten when clean.



ONE OF THE BEST THINGS YOU CAN DO FOR YOUR SPACE

GO MODERNIZING IT

What better way to do just that than by adding an open shelf? Open shelving works well due to having the capability of displaying only the items you want to be displayed. Consider it one of the easiest ways of keeping your bathroom organized. It's kind of forces you to display the items that make your bathroom feel put together. Bring in a plant or two and add freshness directly to your bathroom space. Allow your cart to be as multifunctional as possible by adding different items and including

baskets for an extra added dose of storage. If you have a smaller bathroom and can't seem to find the perfect item to give your bathroom a makeover, bringing a rolling cart is the way to go. A rolling cart gives you the access you need to your favorite items while still being chic and charming. fact, you can paint your rolling cart a shade that brightens the room with a chic twist. Consider using a shade of blue or even red for a welcoming appeal on. showcasing your new vanity display?

YOU CAN DO FOR YOUR SPACE

As one of the most traffic-heavy areas of the home, the bathroom tends to get used and abused regularly, especially if you entertain frequently. Additionally, if you are considering eventually selling your home, having a charming bathroom can boost the price point of your home. Keeping that in mind, tiles are one of the best forms of enhancing your bathroom while still

DISPLAY AS IDENTICAL AS POSSIBLE TO MAKE THE BIGGEST IMPACT POSSIBLE

Sometimes a bold piece of wood doesn't need to be refined it needs to be displayed just as it is. Bring in a bold, wood-made item and have its main textures feel as authentic to the room as possible. It's about taking the natural state of the wood and having it become its focal point from every angle. Make your vanity as authentic as possible by keeping it true to form the entire time.

Okay, Okay, so you want to upgrade your vanity, but don't exactly want to change it too much, here's what you do: you bring in an eclectic mirror. Having an eclectic mirror just does something to the room that is undeniably charming the moment you walk in. It's all about having that bold appeal that enhances the room no matter what else you add to it. Consider bring in a metallic finished mirror.

A BOLD UPGRADE

Mid-century décor is coming back boldly so why not be ahead of the game by having your vanity be the mid-century tool that gives you a bold upgrade. The key with mid-century décor is working with wood. The more wood you incorporate the easier it will be to have that mid-century appeal. It's all about having the room come to life with an easy touch. Pair your mid-century display with a hint of color.

Keeping your vanity clutter-free can be a tricky task. Whether you realize it or not many of us tend to load up our vanity with everyday items, from makeup to hot hair tools, they all tend to end up on the vanity. It's time to change that by bringing in a vanity that has an open layer. When you have a vanity that's somewhat fully open you will be more inclined to keep it neat. It's about keeping the





Specifications

kitchen & oth
LUXURY BATHROOM ACCESSORIES

Basin Mixer

DESCRIPTION

- Single-lever handle provides precise control of water flow and temperature.
- Durable ceramic disc valves exceed industry longevity standards, ensuring a lifetime of reliable performance.
- Complements the full series to create a unified bathroom design.
- Standard flow rate: 2.2 GPM (9 L/min) at 60 PSI (4.1 bar).
- Optional low-flow options for water conservation: 1.0 GPM (4 L/min) or 1.5 GPM (6 L/min).
- Temperature adjustment is controlled within a 25° arc of handle travel.
- Features a clear hot and cold temperature indicator

MATERIAL

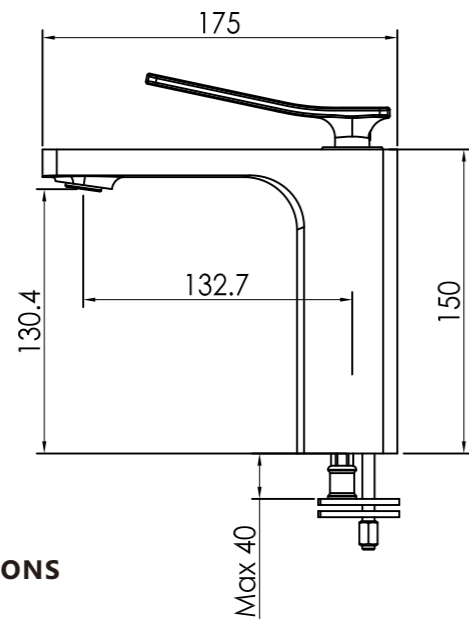
- Premium brass construction ensures durability and long-lasting performance.
- High-quality surface finishes resist corrosion and tarnishing for a refined appearance.

INSTALLATION

- Designed for single-hole deck mounting with a minimum diameter of 1-3/8" (35 mm).
- Pre-attached flexible hot and cold water supply lines simplify installation.

AVAILABLE COLORS

- Chrome Polished
- PVD Nickel Brushed
- PVD Hairline Gun Grey
- Matte Black Plus
- PVD Gold Hairline
- PVD Gold Glossy



CRITICAL DIMENSIONS
(Do not scale drawings)



AL-852315

WARRANTY

- Lifetime limited warranty against leaks, drips, and finish defects for the original homeowner.
- Five-year limited warranty for commercial installations.

For detailed warranty information, please visit our website.

KNB Co. reserves the right to revise product specifications without prior notice.



Specifications

kitchen & oth
LUXURY BATHROOM ACCESSORIES

Basin Mixer

DESCRIPTION

- Single-lever handle provides precise control of water flow and temperature.
- Durable ceramic disc valves exceed industry longevity standards, ensuring a lifetime of reliable performance.
- Complements the full series to create a unified bathroom design.
- Standard flow rate: 2.2 GPM (9 L/min) at 60 PSI (4.1 bar).
- Optional low-flow options for water conservation: 1.0 GPM (4 L/min) or 1.5 GPM (6 L/min).
- Temperature adjustment is controlled within a 25° arc of handle travel.
- Features a clear hot and cold temperature indicator

MATERIAL

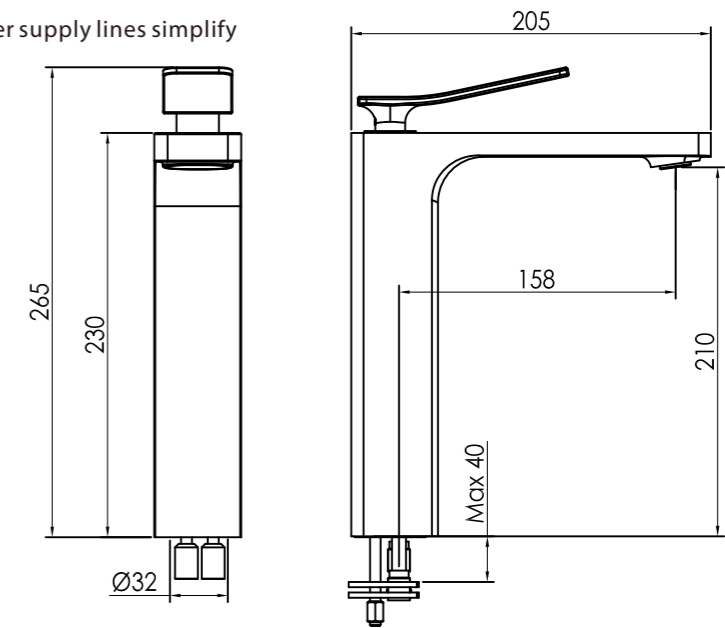
- Premium brass construction ensures durability and long-lasting performance.
- High-quality surface finishes resist corrosion and tarnishing for a refined appearance.

INSTALLATION

- Designed for single-hole deck mounting with a minimum diameter of 1-3/8" (35 mm).
- Pre-attached flexible hot and cold water supply lines simplify installation.

AVAILABLE COLORS

- Chrome Polished
- PVD Nickel Brushed
- PVD Hairline Gun Grey
- Matte Black Plus
- PVD Gold Hairline
- PVD Gold Glossy



CRITICAL DIMENSIONS
(Do not scale drawings)



AL-852320

WARRANTY

- Lifetime limited warranty against leaks, drips, and finish defects for the original homeowner.
- Five-year limited warranty for commercial installations.

For detailed warranty information, please visit our website.

KNB Co. reserves the right to revise product specifications without prior notice.





Square Horizontal

A PERFECT BLENDED OF MODERNIZED AESTHETICS AND FUNCTIONAL PRECISION

YOU CAN DO FOR YOUR SPACE

Designed for smaller basins or compact spaces, the short basin mixer provides smooth and effortless water flow with precise temperature control.

Its ergonomic handle ensures a comfortable grip, while its durable build guarantees long-lasting performance. Perfect for those seeking style and practicality in a compact design, this mixer is a timeless addition to any bathroom.

Elevate your bathroom's sophistication with the extended square design chrome-finished basin mixer. Crafted for larger

basins or counter top installations, its taller profile and striking angular lines create a bold, modern statement. The chrome finish provides a sleek, polished look that seamlessly fits a variety of bathroom styles.



EXTENDED DESIGN

This extended mixer offers enhanced functionality with an elevated spout height, providing ample space for washing hands, filling vessels, or performing daily tasks.

Its ergonomic handle allows for precise water temperature and flow control, ensuring a luxurious and efficient experience. Durable and corrosion-resistant, this mixer combines elegance with practicality, making it a standout feature in any refined bathroom setting.

while its durable build guarantees long-lasting performance. Perfect for those seeking style and practicality in a compact design, this mixer is a timeless addition to any bathroom.

Crafted for larger basins or counter top installations, polished look that seamlessly fits a variety of bathroom styles, from contemporary to industrial chic.



DISPLAY AS IDENTICAL AS POSSIBLE TO MAKE THE BIGGEST IMPACT POSSIBLE



YOU CAN DO FOR YOUR SPACE

YOU CAN DO FOR YOUR SPACE



Specifications

kitchen & oth
LUXURY BATHROOM ACCESSORIES

Basin Mixer

DESCRIPTION

- Single-lever handle provides precise control of water flow and temperature.
- Durable ceramic disc valves exceed industry longevity standards, ensuring a lifetime of reliable performance.
- Complements the full series to create a unified bathroom design.
- Standard flow rate: 2.2 GPM (9 L/min) at 60 PSI (4.1 bar).
- Optional low-flow options for water conservation: 1.0 GPM (4 L/min) or 1.5 GPM (6 L/min).
- Temperature adjustment is controlled within a 25° arc of handle travel.
- Features a clear hot and cold temperature indicator

MATERIAL

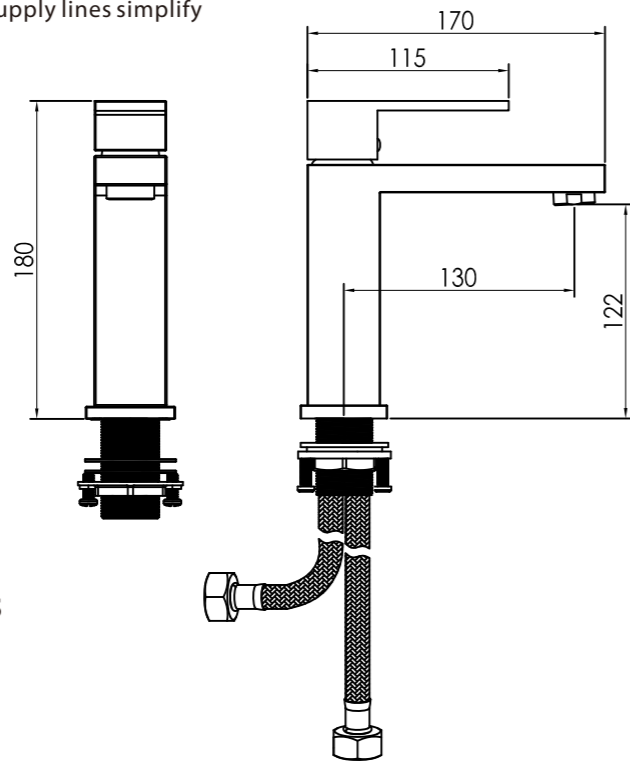
- Premium brass construction ensures durability and long-lasting performance.
- High-quality surface finishes resist corrosion and tarnishing for a refined appearance.

INSTALLATION

- Designed for single-hole deck mounting with a minimum diameter of 1-3/8" (35 mm).
- Pre-attached flexible hot and cold water supply lines simplify installation.

AVAILABLE COLORS

- Chrome Polished
- PVD Nickel Brushed
- PVD Hairline Gun Grey
- Matte Black Plus
- PVD Gold Hairline
- PVD Gold Glossy



CRITICAL DIMENSIONS
(Do not scale drawings)

AL-8401

WARRANTY

- Lifetime limited warranty against leaks, drips, and finish defects for the original homeowner.
- Five-year limited warranty for commercial installations.

For detailed warranty information, please visit our website.

KNB Co. reserves the right to revise product specifications without prior notice.



Specifications

kitchen & oth
LUXURY BATHROOM ACCESSORIES

Basin Mixer

DESCRIPTION

- Single-lever handle provides precise control of water flow and temperature.
- Durable ceramic disc valves exceed industry longevity standards, ensuring a lifetime of reliable performance.
- Complements the full series to create a unified bathroom design.
- Standard flow rate: 2.2 GPM (9 L/min) at 60 PSI (4.1 bar).
- Optional low-flow options for water conservation: 1.0 GPM (4 L/min) or 1.5 GPM (6 L/min).
- Temperature adjustment is controlled within a 25° arc of handle travel.
- Features a clear hot and cold temperature indicator

MATERIAL

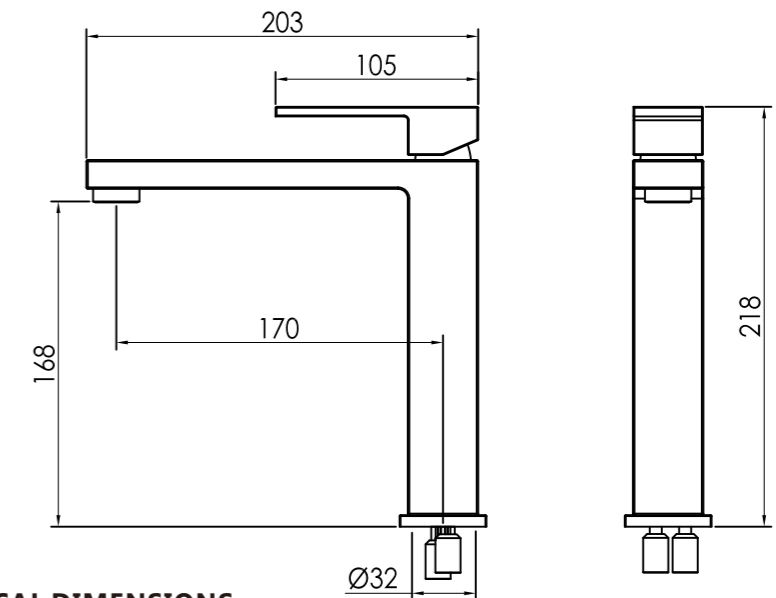
- Premium brass construction ensures durability and long-lasting performance.
- High-quality surface finishes resist corrosion and tarnishing for a refined appearance.

INSTALLATION

- Designed for single-hole deck mounting with a minimum diameter of 1-3/8" (35 mm).
- Pre-attached flexible hot and cold water supply lines simplify installation.

AVAILABLE COLORS

- Chrome Polished
- PVD Nickel Brushed
- PVD Hairline Gun Grey
- Matte Black Plus
- PVD Gold Hairline
- PVD Gold Glossy



CRITICAL DIMENSIONS
(Do not scale drawings)

AL-8401X

WARRANTY

- Lifetime limited warranty against leaks, drips, and finish defects for the original homeowner.
- Five-year limited warranty for commercial installations.

For detailed warranty information, please visit our website.

KNB Co. reserves the right to revise product specifications without prior notice.





Specifications

kitchen & oth
LUXURY BATHROOM ACCESSORIES

Wall Mounted Basin Mixer

DESCRIPTION

- Single-lever handle provides precise control of water flow and temperature.
- Durable ceramic disc valves exceed industry longevity standards, ensuring a lifetime of reliable performance.
- Complements the full series for a cohesive and unified bathroom design.
- Standard flow rate: 2.2 GPM (9 L/min) at 60 PSI (4.1 bar).
- Optional low-flow rates for water conservation: 1.0 GPM (4 L/min) or 1.5 GPM (6 L/min).
- Temperature adjustment controlled within a 25° arc of handle travel.
- Features clear hot and cold temperature indicators.

MATERIAL

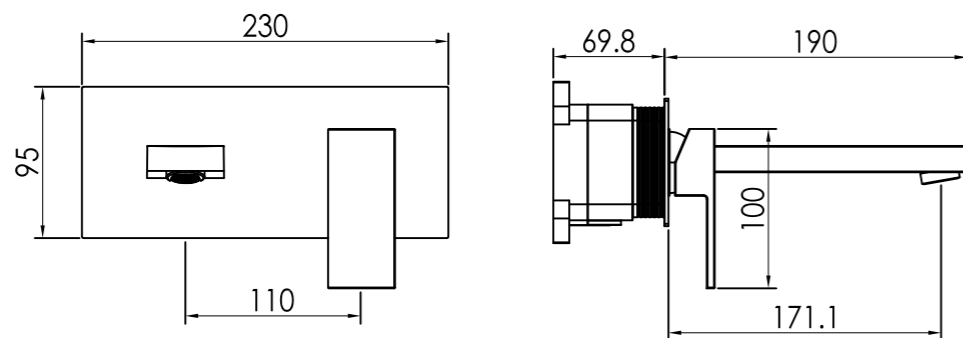
- Premium brass construction ensures durability and long-lasting performance.
- High-quality surface finishes resist corrosion and tarnishing for a refined appearance.

INSTALLATION

- Designed for wall-mounted installation.
- Requires pre-buried concealed water pipes.
- Follow the installation instructions for proper setup.

AVAILABLE COLORS

- Chrome Polished
- PVD Nickel Brushed
- PVD Hairline Gun Grey
- Matte Black Plus
- PVD Gold Hairline
- PVD Gold Glossy



CRITICAL DIMENSIONS
(Do not scale drawings)

AL-8404



WARRANTY

- Lifetime limited warranty against leaks, drips, and finish defects for the original homeowner.
- Five-year limited warranty for commercial installations.

For detailed warranty information, please visit our website.

KNB Co. reserves the right to revise product specifications without prior notice.



Specifications

kitchen & oth
LUXURY BATHROOM ACCESSORIES

Kitchen Sink Mixer

DESCRIPTION

- Single-lever handle provides easy and precise control of water flow and temperature.
- Durable ceramic disc valves exceed industry longevity standards, ensuring long-lasting performance.
- Coordinates with the full series to create a cohesive and unified bathroom design.
- Standard flow rate: 2.2 GPM (9 L/min) at 60 PSI (4.1 bar).
- Optional low-flow rates (1.0 GPM / 1.2 GPM) available for water-saving purposes.
- Temperature adjustment controlled within a 25° arc of handle travel.
- Features clear hot and cold temperature indicators.

MATERIAL

- Premium brass construction ensures durability and reliability.
- High-quality surface finishes resist corrosion and tarnishing for a refined appearance.

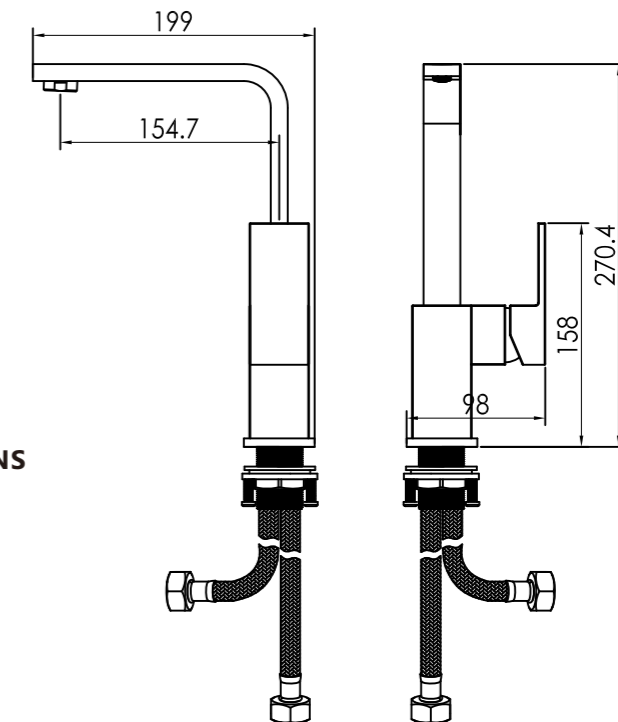
INSTALLATION

- This Faucet is designed for single hole deck mount min. Dia 1-3/8" (35mm).
- Pre-attached flexible hot and cold water supply lines simplify installation.

AVAILABLE COLORS

- Chrome Polished
- PVD Nickel Brushed
- PVD Hairline Gun Grey
- Matte Black Plus
- PVD Gold Glossy

CRITICAL DIMENSIONS
(Do not scale drawings)



AL-8406



WARRANTY

- Lifetime limited warranty against leaks, drips, and finish defects for the original homeowner.
- Five-year limited warranty for commercial installations.

For detailed warranty information, please visit our website.

KNB Co. reserves the right to revise product specifications without prior notice.





Specifications

kitchen & oth
LUXURY BATHROOM ACCESSORIES

Bathtub Mixer Set

DESCRIPTION

- Single-lever handle provides easy and precise control of water flow and temperature.
- Durable ceramic disc valves exceed industry longevity standards, ensuring long-lasting performance.
- Complements the full series for a cohesive and unified bathroom design.
- Standard flow rate for spout: 4.5 GPM (18 L/min) at 60 PSI (3 bar).
- Standard flow rate for hand shower: 2.2 GPM (9 L/min) at 60 PSI (3 bar).
- Optional water-saving flow rates: 1.2 GPM / 1.6 GPM.
- Temperature adjustment controlled within a 25° arc of handle travel.
- Two-function switch allows seamless operation between the bathtub spout and hand shower.
- Includes a 1.5 m SUS304 shower hose for enhanced flexibility.
- Features clear hot and cold temperature indicators.



AL-8402F2

MATERIAL

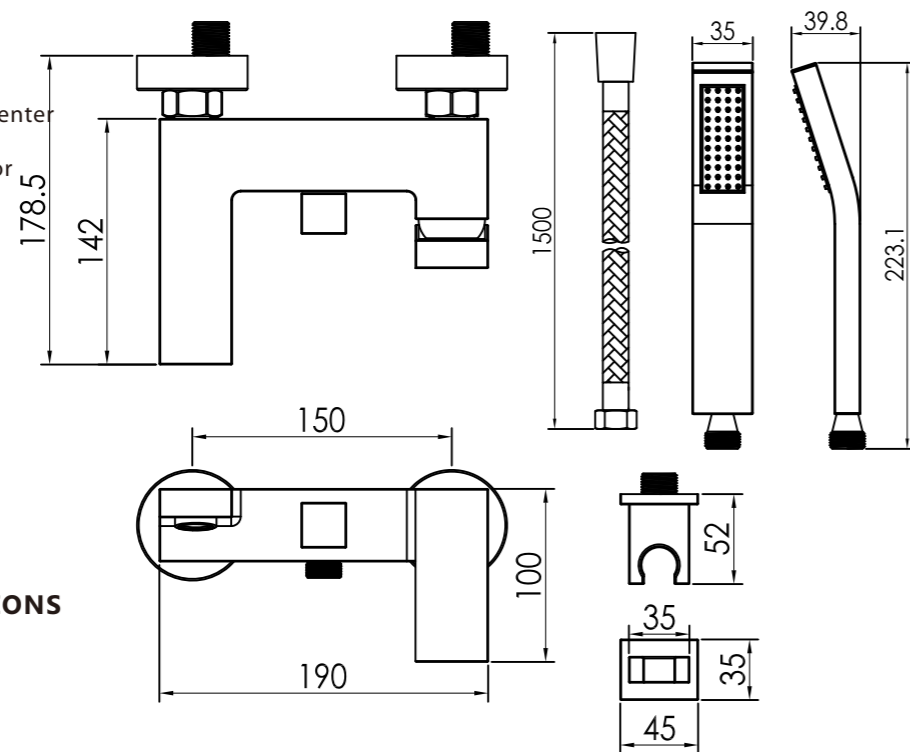
- Premium brass construction ensures durability and reliability.
- Zinc alloy handle for a sturdy and ergonomic grip.
- Brass shower holder for added strength and functionality.
- High-quality surface finishes resist corrosion and tarnishing for a refined appearance.

INSTALLATION

- Designed for two-hole wall mounting with a center-to-center distance of 150 mm.
- Includes a 3/4" elbow adaptor for easy connection.

AVAILABLE COLORS

- Chrome Polished
- PVD Nickel Brushed
- PVD Hairline Gun Grey
- Matte Black Plus
- PVD Gold Hairline
- PVD Gold Glossy



CRITICAL DIMENSIONS
(Do not scale drawings)

WARRANTY

- Lifetime limited warranty against leaks, drips, and finish defects for the original homeowner.
- Five-year limited warranty for commercial installations.

For detailed warranty information, please visit our website.

KNB Co. reserves the right to revise product specifications without prior notice.



Specifications

kitchen & oth
LUXURY BATHROOM ACCESSORIES

Bathtub Mixer Set

DESCRIPTION

- Single-lever handle provides easy and precise control of water flow and temperature.
- Durable ceramic disc valves exceed industry longevity standards, ensuring reliable, long-term performance.
- Complements the full series for a cohesive and unified bathroom design.
- Standard flow rate for hand shower: 2.2 GPM (9 L/min) at 60 PSI (3 bar).
- Temperature adjustment is controlled within a 25° arc of handle travel.
- Features clear hot and cold temperature indicators.

MATERIAL

- High-quality brass construction ensures durability and stability.
- Zinc alloy handle for a sturdy and ergonomic grip.
- Premium surface finishes resist corrosion and tarnishing, maintaining a refined appearance over time.

INSTALLATION

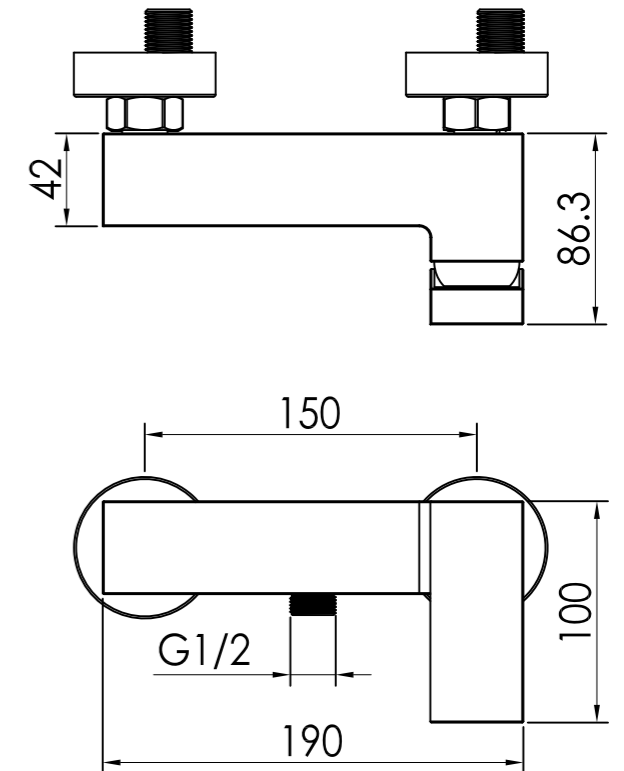
- Designed for two-hole wall mounting with a 150 mm center-to-center distance.
- Includes a 3/4" elbow adaptor for easy connection.

AVAILABLE COLORS

- Chrome Polished
- PVD Nickel Brushed
- PVD Hairline Gun Grey
- Matte Black Plus
- PVD Gold Hairline
- PVD Gold Glossy



AL-8403



CRITICAL DIMENSIONS
(Do not scale drawings)

WARRANTY

- Lifetime limited warranty against leaks, drips, and finish defects for the original homeowner.
- Five-year limited warranty for commercial installations.

For detailed warranty information, please visit our website.

KNB Co. reserves the right to revise product specifications without prior notice.





Specifications

kitchen & oth
LUXURY BATHROOM ACCESSORIES

Shower Mixer Set

DESCRIPTION

- Telescopic chrome shower column
- Single lever handle easy control volume and temperature.
- Durable ceramic disc valves exceed industry longevity standards for a lifetime of performance.
- Coordinates with full series to complete your bathroom unify style
- Regular flowrate for spout: 4.5gpm(18L/min) at 60psi(3 bar) shower head flowrate: 3.2gpm(9-12L/min) hand shower flowrate: 2.3gpm(6-9L/min)
- Water saving consumption (1.2gpm /1.6gpm are optional) for hand shower and shower head
- Temperature controlled by 25° arc of handle travel
- Three functional switch for bathtub spout, hand shower and shower head.
- It comes with 1.5m SUS304 shower hose
- Includes Mark for hot & cold temperature indicator

MATERIAL

- Main brass casting construction
- Zinc handle casting part
- ABS shower holder
- Metal Shower head
- SUS304 shower column
- Brass hand shower
- Premium finishes resist corrosion and tarnishing

INSTALLATION

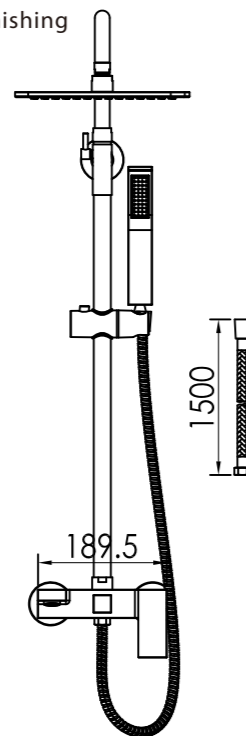
- This Faucet is designed for two hole wall mount mid to mid 150mm, 3/4" elbow adaptor.

COLORS OPTIONAL

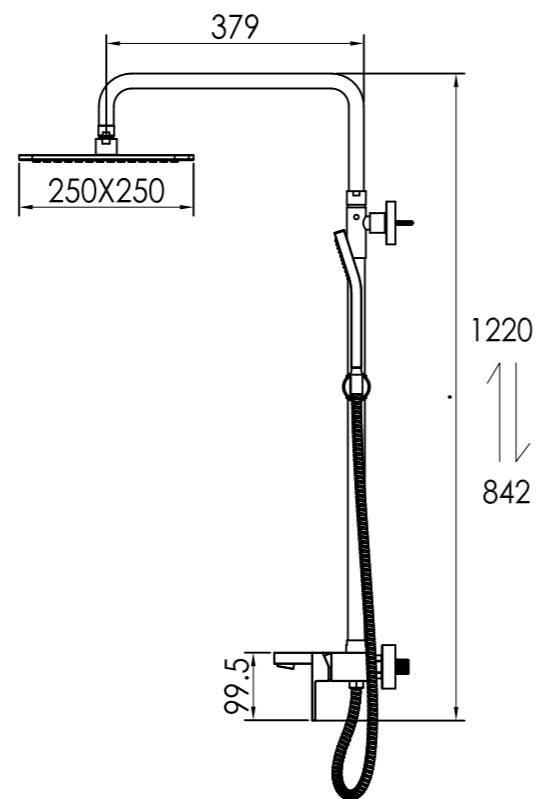
- Chrome Polished
- PVD Nickel Brushed
- PVD Hairline Gun Grey
- Metal Black Matte Plus
- PVD Gold Hairline
- PVD Gold Glossy

CRITICAL DIMENSIONS

(Do not scale drawings)



AL-8405



WARRANTY

- Lifetime limited warranty against leaks, drips, and finish defects for the original homeowner.
- Five-year limited warranty for commercial installations.

For detailed warranty information, please visit our website.

KNB Co. reserves the right to revise product specifications without prior notice.



Specifications

kitchen & oth
LUXURY BATHROOM ACCESSORIES

Bathtub Spout

DESCRIPTION

- Complements the full series for a cohesive and unified bathroom design.
- Standard spout flow rate: 4.5 GPM (18 L/min) at 60 PSI (3 bar).
- Temperature adjustment is controlled within a 25° arc of handle travel.

MATERIAL

- High-quality brass construction ensures durability and stability.
- Premium surface finishes resist corrosion and tarnishing, maintaining a refined appearance.

INSTALLATION

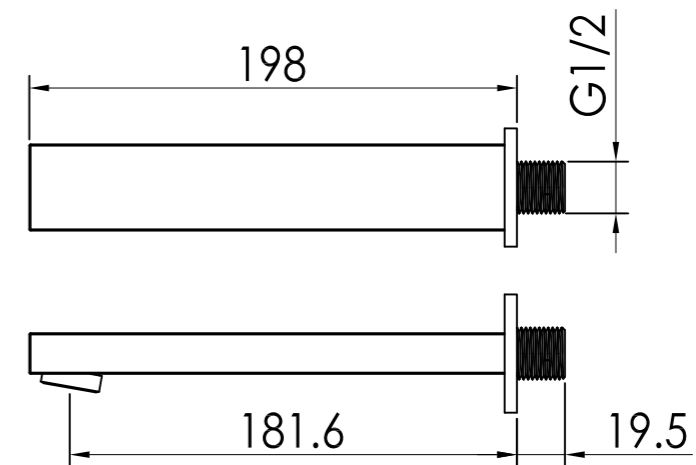
- Designed for wall mounting.
- Connection size: G1/2".

AVAILABLE COLORS

- Chrome Polished
- PVD Nickel Brushed
- PVD Hairline Gun Grey
- Matte Black Plus
- PVD Gold Hairline
- PVD Gold Glossy



AL-8409P



CRITICAL DIMENSIONS

(Do not scale drawings)

WARRANTY

- Lifetime limited warranty against leaks, drips, and finish defects for the original homeowner.
- Five-year limited warranty for commercial installations.

For detailed warranty information, please visit our website.

KNB Co. reserves the right to revise product specifications without prior notice.



JOY SHOWER

A concealed shower system is more than just a fixture in the bathroom; it's an innovation designed to elevate the shower experience for the entire family. With its sleek, minimalist design and versatile functionality, it transforms ordinary showers into moments of joy, relaxation, and rejuvenation for every family member.

Streamlined Aesthetic, Maximum Space
The concealed shower system's design hides plumbing and pipes behind the wall, leaving only the essential controls and showerheads visible. This creates a clean, modern aesthetic that makes the bathroom feel more spacious and luxurious. For families, this streamlined look not only adds elegance but also ensures a clutter-free space, making it easier to clean and maintain. Children can marvel at the simplicity, while adults appreciate the touch of sophistication it brings to their daily routine.



Safe and Family-Friendly
Safety is a top priority, especially for families with young children or elderly members. Concealed shower systems often feature anti-scald technology that prevents sudden temperature fluctuations, ensuring a consistent and safe shower experience for everyone. enjoy together.





Specifications



Concealed Shower Mixer Set

DESCRIPTION

- Single-lever handle ensures easy control of water volume and temperature.
- Durable ceramic disc valves exceed industry longevity standards for reliable, lifetime performance.
- Coordinates seamlessly with the full product series for a unified bathroom style.
- Standard flow rate: 2.5 gpm (9 L/min) at 60 psi (4.1 bar).
- Optional low-flow settings (1.2 gpm / 1.6 gpm) available for water-saving purposes.
- Temperature adjustment is controlled by a 25° arc of handle travel.
- Hot and cold temperature indicators included for convenience.
- Designed with a single function for shower use.

MATERIAL

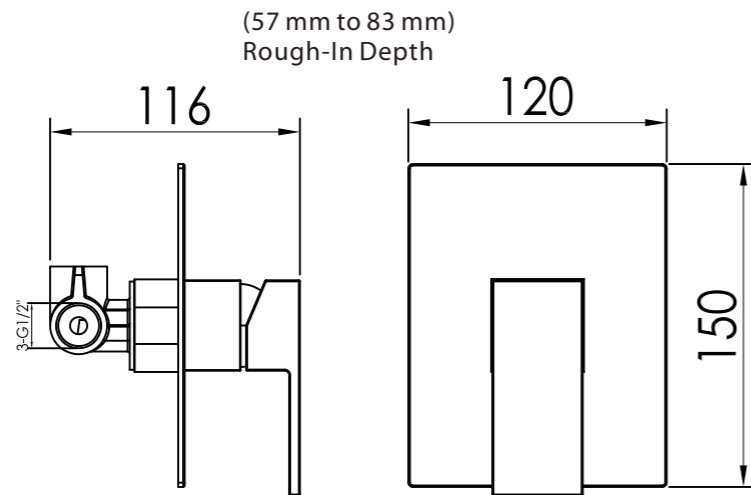
- Main body constructed from high-quality brass for durability.
- Chrome-plated wall cover made from SUS material for enhanced resistance to tarnish and corrosion.
- Premium surface finishes provide long-lasting protection and elegance.

INSTALLATION

- Designed for wall-mounted installation.
- Requires pre-buried concealed water pipes for setup.
- Follow the provided installation instructions for proper assembly.

AVAILABLE COLORS

- Chrome Polished
- PVD Nickel Brushed
- PVD Hairline Gun Grey
- Matte Black Plus
- PVD Gold Hairline
- PVD Gold Glossy



CRITICAL DIMENSIONS
(Do not scale drawings)

AL-8409

WARRANTY

- Lifetime limited warranty against leaks, drips, and finish defects for the original homeowner.
- Five-year limited warranty for commercial installations.

For detailed warranty information, please visit our website.

KNB Co. reserves the right to revise product specifications without prior notice.



Specifications



Concealed Shower Mixer Set

DESCRIPTION

- Single-lever handle allows precise control of water volume and temperature.
- Durable ceramic disc valves exceed industry standards, ensuring reliable, long-lasting performance.
- Harmonizes with the full product series to create a cohesive bathroom design.
- Standard flow rate: 2.5 gpm (9 L/min) at 60 psi (4.1 bar).
- Optional low-flow settings (1.2 gpm / 1.6 gpm) available for water conservation.
- Temperature adjustment is achieved through a 25° arc of handle travel.
- Features a hot and cold temperature indicator for user convenience.
- Designed specifically for single-function shower use.

MATERIAL

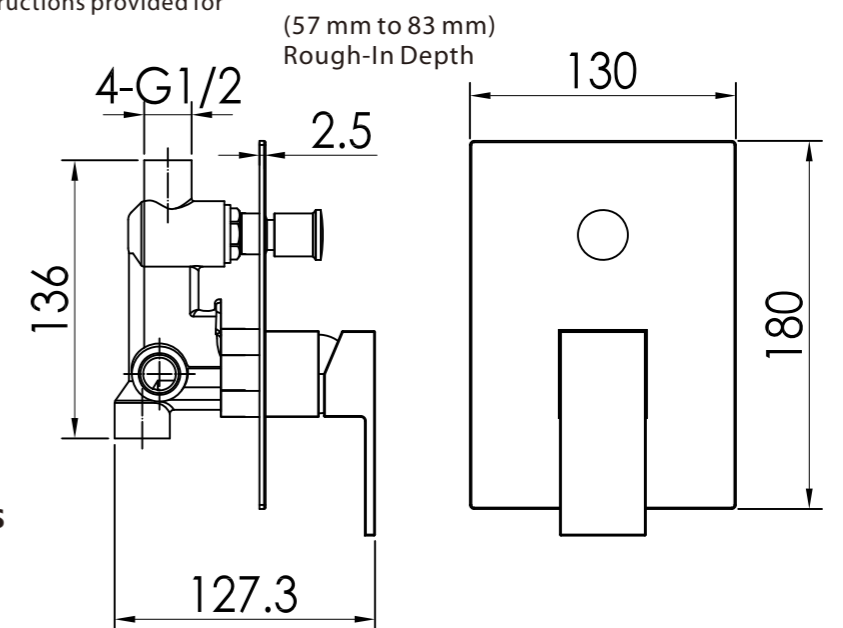
- High-quality brass construction ensures durability and performance.
- SUS chrome-plated wall cover provides enhanced resistance to tarnishing and corrosion.
- Premium surface finishes deliver long-lasting protection and a polished appearance.

INSTALLATION

- Designed for wall-mounted installation.
- Requires pre-buried concealed water pipes for proper setup.
- Follow the detailed installation instructions provided for seamless assembly.

AVAILABLE COLORS

- Chrome Polished
- PVD Nickel Brushed
- PVD Hairline Gun Grey
- Matte Black Plus
- PVD Gold Hairline
- PVD Gold Glossy



CRITICAL DIMENSIONS
(Do not scale drawings)

AL-8409

WARRANTY

- Lifetime limited warranty against leaks, drips, and finish defects for the original homeowner.
- Five-year limited warranty for commercial installations.

For detailed warranty information, please visit our website.

KNB Co. reserves the right to revise product specifications without prior notice.





Specifications

kitchen & oth
LUXURY BATHROOM ACCESSORIES

Concealed Shower Mixer Set



AL-8409F2

DESCRIPTION

- Single-lever handle ensures easy control of water volume and temperature.
- Durable ceramic disc valves exceed industry longevity standards for reliable, lifetime performance.
- Coordinates seamlessly with the full product series for a unified bathroom style.
- Standard flow rate: 2.5 gpm (9 L/min) at 60 psi (4.1 bar).
- Optional low-flow settings (1.2 gpm / 1.6 gpm) available for water-saving purposes.
- Temperature adjustment is controlled by a 25° arc of handle travel.
- Hot and cold temperature indicators included for convenience.
- Designed with a single function for shower use.

MATERIAL

- Main body constructed from high-quality brass for durability.
- Chrome-plated wall cover made from SUS material for enhanced resistance to tarnish and corrosion.
- Premium surface finishes provide long-lasting protection and elegance.

INSTALLATION

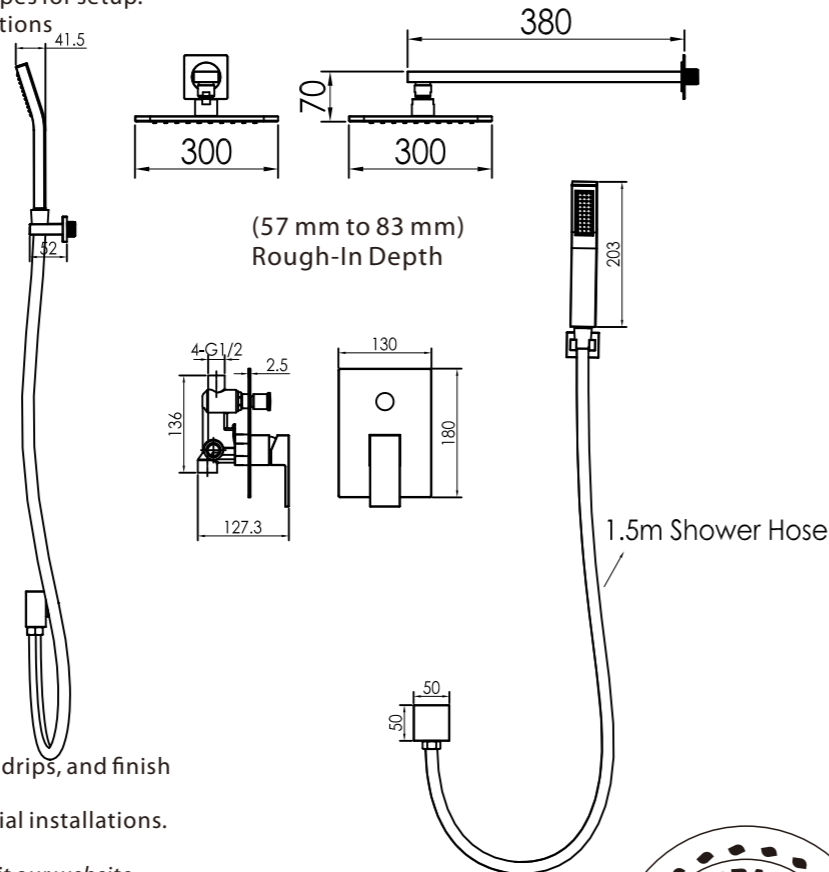
- Designed for wall-mounted installation.
- Requires pre-buried concealed water pipes for setup.
- Follow the provided installation instructions for proper assembly.

AVAILABLE COLORS

- Chrome Polished
- PVD Nickel Brushed
- PVD Hairline Gun Grey
- Matte Black Plus
- PVD Gold Hairline
- PVD Gold Glossy

CRITICAL DIMENSIONS

(Do not scale drawings)



WARRANTY

- Lifetime limited warranty against leaks, drips, and finish defects for the original homeowner.
- Five-year limited warranty for commercial installations.

For detailed warranty information, please visit our website.

KNB Co. reserves the right to revise product specifications without prior notice.



Specifications

kitchen & oth
LUXURY BATHROOM ACCESSORIES

Concealed Shower Mixer Set



AL-8409F3

DESCRIPTION

- Single-lever handle allows precise control of water volume and temperature.
- Durable ceramic disc valves exceed industry standards, ensuring reliable, long-lasting performance.
- Harmonizes with the full product series to create a cohesive bathroom design.
- Standard flow rate: 2.5 gpm (9 L/min) at 60 psi (4.1 bar).
- Optional low-flow settings (1.2 gpm / 1.6 gpm) available for water conservation.
- Temperature adjustment is achieved through a 25° arc of handle travel.
- Features a hot and cold temperature indicator for user convenience.
- Designed specifically for single-function shower use.

MATERIAL

- High-quality brass construction ensures durability and performance.
- SUS chrome-plated wall cover provides enhanced resistance to tarnishing and corrosion.
- Premium surface finishes deliver long-lasting protection and a polished appearance.

INSTALLATION

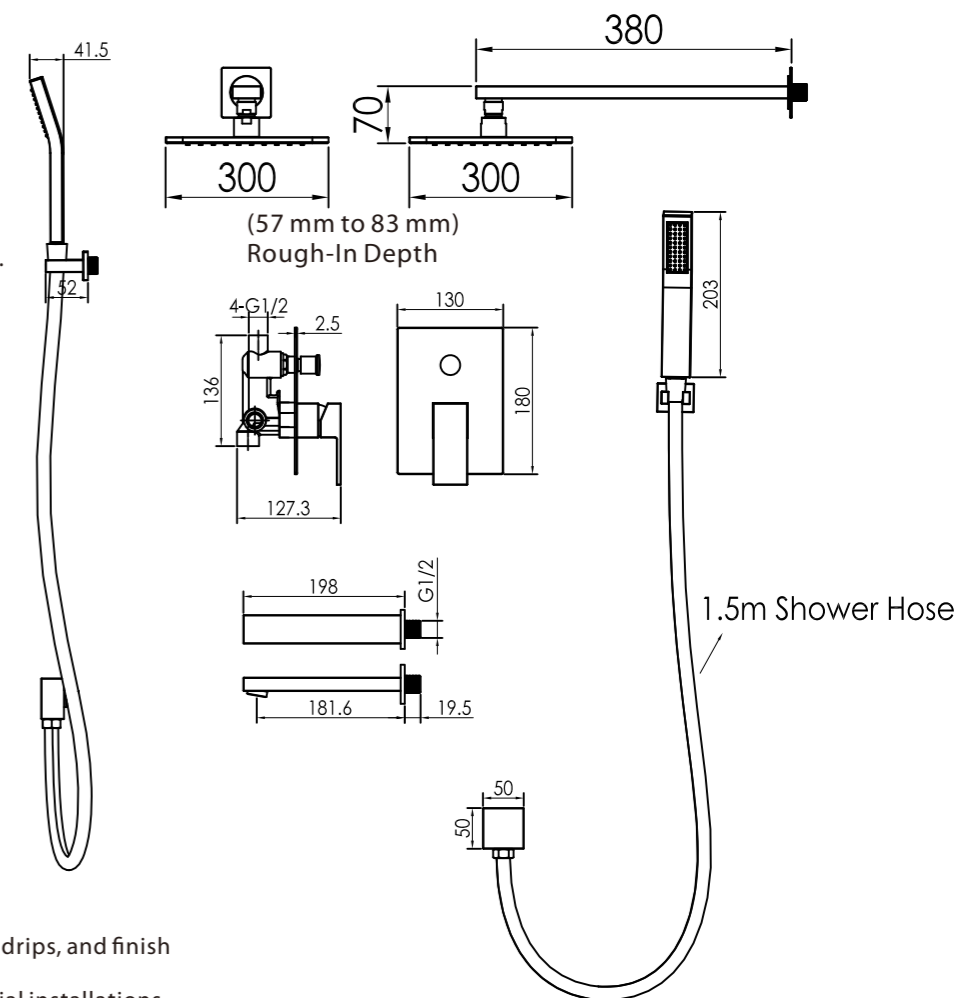
- Designed for wall-mounted installation.
- Requires pre-buried concealed water pipes for proper setup.
- Follow the detailed installation instructions provided for seamless assembly.

AVAILABLE COLORS

- Chrome Polished
- PVD Nickel Brushed
- PVD Hairline Gun Grey
- Matte Black Plus
- PVD Gold Hairline
- PVD Gold Glossy

CRITICAL DIMENSIONS

(Do not scale drawings)



WARRANTY

- Lifetime limited warranty against leaks, drips, and finish defects for the original homeowner.
- Five-year limited warranty for commercial installations.

For detailed warranty information, please visit our website.

KNB Co. reserves the right to revise product specifications without prior notice.



CLASSIC IS THE WAY

The classic basin faucet is more than a fixture; it is a statement of timeless elegance and refined functionality. Perfectly blending traditional design with modern convenience, this faucet adds a touch of sophistication to any bathroom, creating a space that feels warm, inviting, and uniquely yours.

Picture the smooth curve of its spout, the graceful symmetry of its handles, and the subtle detailing that harks back to a bygone era. The polished finish, whether in gleaming chrome, brushed nickel, or antique brass, exudes luxury while effortlessly complementing a variety of bathroom décors, from vintage charm to contemporary refinement.

Using a classic basin faucet is a sensory delight. Turn the ergonomically designed handles, and you'll feel the precision of its craftsmanship. The water flows smoothly and evenly, creating a gentle cascade that adds a sense of calm to your daily routine. Its design is not just about aesthetics but also about ensuring the perfect mix of hot and cold water, delivering a consistently comfortable experience.

Timeless Elegance with a Classic





Specifications

kitchen & oth
LUXURY BATHROOM ACCESSORIES

Basin Mixer

DESCRIPTION

- Single-lever handle provides precise control of water flow and temperature.
- Durable ceramic disc valves exceed industry longevity standards, ensuring a lifetime of reliable performance.
- Complements the full series to create a unified bathroom design.
- Standard flow rate: 2.2 GPM (9 L/min) at 60 PSI (4.1 bar).
- Optional low-flow options for water conservation: 1.0 GPM (4 L/min) or 1.5 GPM (6 L/min).
- Temperature adjustment is controlled within a 25° arc of handle travel.
- Features a clear hot and cold temperature indicator

MATERIAL

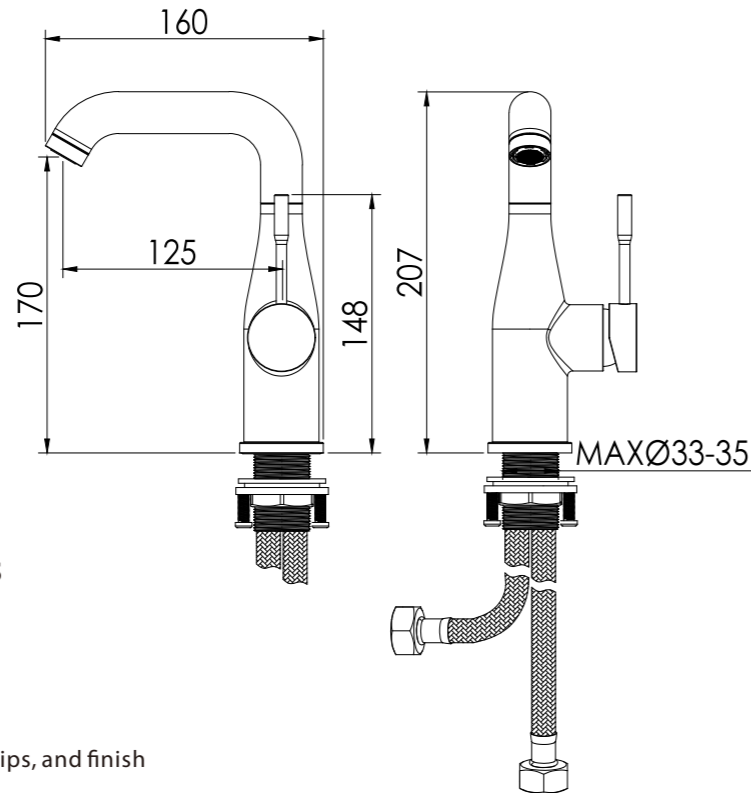
- Premium brass construction ensures durability and long-lasting performance.
- High-quality surface finishes resist corrosion and tarnishing for a refined appearance.

INSTALLATION

- Designed for single-hole deck mounting with a minimum diameter of 1-3/8" (35 mm).
- Pre-attached flexible hot and cold water supply lines simplify installation.

AVAILABLE COLORS

- Chrome Polished
- PVD Nickel Brushed
- PVD Hairline Gun Grey
- Matte Black Plus
- PVD Gold Hairline
- PVD Gold Glossy



CRITICAL DIMENSIONS
(Do not scale drawings)

WARRANTY

- Lifetime limited warranty against leaks, drips, and finish defects for the original homeowner.
- Five-year limited warranty for commercial installations.

For detailed warranty information, please visit our website.

KNB Co. reserves the right to revise product specifications without prior notice.



Specifications

kitchen & oth
LUXURY BATHROOM ACCESSORIES

Extended Basin Mixer

DESCRIPTION

- Single-lever handle provides precise control of water flow and temperature.
- Durable ceramic disc valves exceed industry longevity standards, ensuring a lifetime of reliable performance.
- Complements the full series to create a unified bathroom design.
- Standard flow rate: 2.2 GPM (9 L/min) at 60 PSI (4.1 bar).
- Optional low-flow options for water conservation: 1.0 GPM (4 L/min) or 1.5 GPM (6 L/min).
- Temperature adjustment is controlled within a 25° arc of handle travel.
- Features a clear hot and cold temperature indicator

MATERIAL

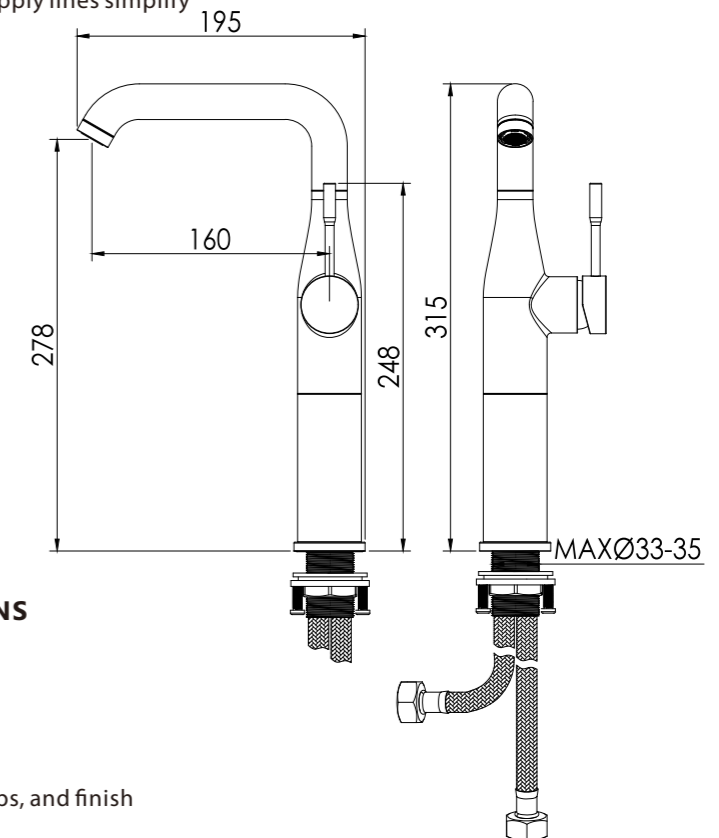
- Premium brass construction ensures durability and long-lasting performance.
- High-quality surface finishes resist corrosion and tarnishing for a refined appearance.

INSTALLATION

- Designed for single-hole deck mounting with a minimum diameter of 1-3/8" (35 mm).
- Pre-attached flexible hot and cold water supply lines simplify installation.

AVAILABLE COLORS

- Chrome Polished
- PVD Nickel Brushed
- PVD Hairline Gun Grey
- Matte Black Plus
- PVD Gold Hairline
- PVD Gold Glossy



CRITICAL DIMENSIONS
(Do not scale drawings)

WARRANTY

- Lifetime limited warranty against leaks, drips, and finish defects for the original homeowner.
- Five-year limited warranty for commercial installations.

For detailed warranty information, please visit our website.

KNB Co. reserves the right to revise product specifications without prior notice.



AL-6801



AL-6801X



Specifications

kitchen & oth
LUXURY BATHROOM ACCESSORIES

Kitchen Mixer

DESCRIPTION

- Single-lever handle provides easy and precise control of water flow and temperature.
- Durable ceramic disc valves exceed industry longevity standards, ensuring long-lasting performance.
- Coordinates with the full series to create a cohesive and unified bathroom design.
- Standard flow rate: 2.2 GPM (9 L/min) at 60 PSI (4.1 bar).
- Optional low-flow rates (1.0 GPM / 1.2 GPM) available for water-saving purposes.
- Temperature adjustment controlled within a 25° arc of handle travel.
- Features clear hot and cold temperature indicators.

MATERIAL

- Premium brass construction ensures durability and reliability.
- High-quality surface finishes resist corrosion and tarnishing for a refined appearance.

INSTALLATION

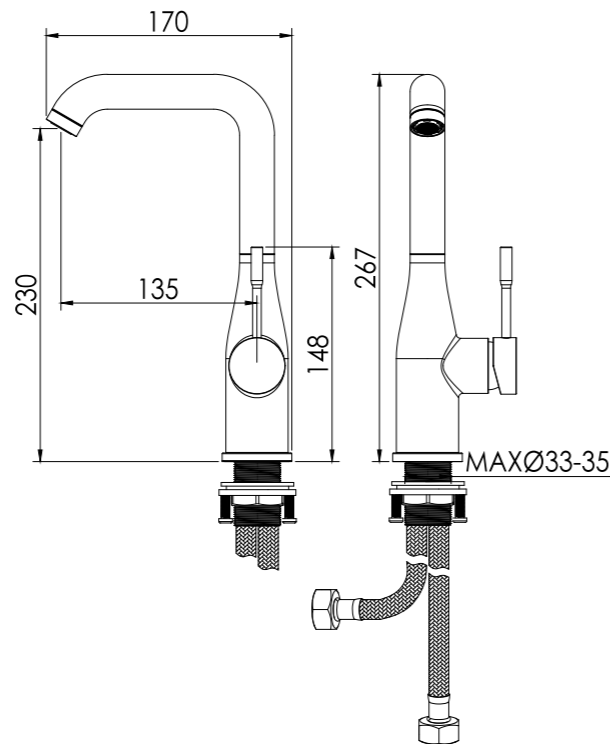
- This Faucet is designed for single hole deck mount min. Dia 1-3/8" (35mm).
- Pre-attached flexible hot and cold water supply lines simplify installation.

AVAILABLE COLORS

- Chrome Polished
- PVD Nickel Brushed
- PVD Hairline Gun Grey
- Matte Black Plus
- PVD Gold Glossy



AL-6801B



CRITICAL DIMENSIONS

(Do not scale drawings)

WARRANTY

- Lifetime limited warranty against leaks, drips, and finish defects for the original homeowner.
- Five-year limited warranty for commercial installations.

For detailed warranty information, please visit our website.

KNB Co. reserves the right to revise product specifications without prior notice.



Save Earth

No matter the result, remember to recycle, reuse, and flatten when clean



Specifications

kitchen & oth
LUXURY BATHROOM ACCESSORIES

Floor Standing Basin Mixer

DESCRIPTION

- Single-lever handle enables precise control of water volume and temperature.
- Durable ceramic disc valves exceed industry standards, ensuring reliable, long-lasting performance.
- Complements the full product series for a cohesive and unified bathroom design.
- Standard flow rate: 2.2 gpm (9 L/min) at 60 psi (4.1 bar).
- Optional low-flow settings (0.5 gpm / 1 gpm) are available for water-saving purposes.
- Temperature is adjusted through a 25° arc of handle travel.
- Features hot and cold temperature indicators for added convenience.

MATERIAL

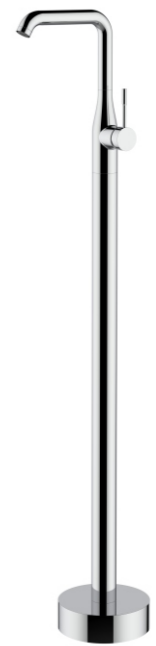
- Constructed from high-quality brass for durability and strength.
- Premium surface finishes resist corrosion and tarnishing, ensuring a long-lasting polished appearance.

INSTALLATION

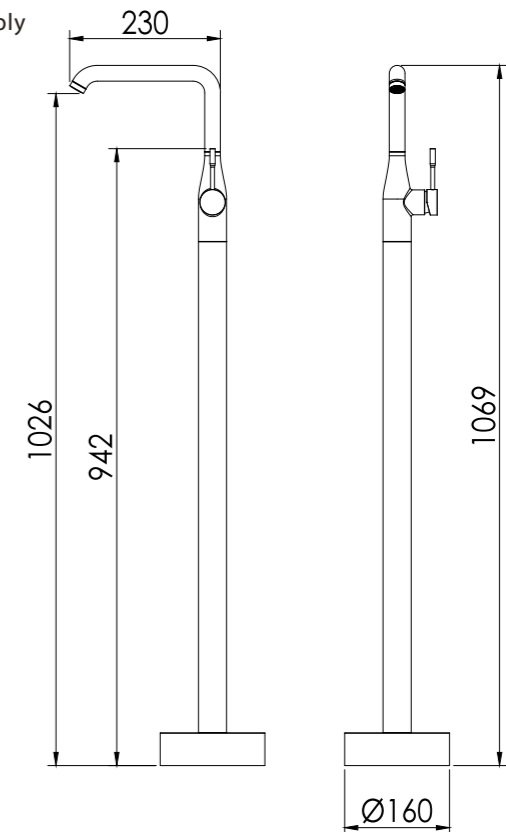
- Designed for single-hole deck mounting with a minimum diameter of 1-3/8" (35 mm).
- Comes with pre-attached flexible hot and cold water supply lines for simplified installation.

AVAILABLE COLORS

- Chrome Polished
- PVD Nickel Brushed
- PVD Hairline Gun Grey



AL-6811



CRITICAL DIMENSIONS

(Do not scale drawings)

WARRANTY

- Lifetime limited warranty against leaks, drips, and finish defects for the original homeowner.
- Five-year limited warranty for commercial installations.

For detailed warranty information, please visit our website.

KNB Co. reserves the right to revise product specifications without prior notice.



Save Earth

No matter the result, remember to recycle, reuse, and flatten when clean



Classic Elegance



**The Series Fine Basin
Faucet Experience**



Specifications

kitchen & oth
LUXURY BATHROOM ACCESSORIES

Basin Mixer

DESCRIPTION

- Single-lever handle provides precise control of water flow and temperature.
- Durable ceramic disc valves exceed industry longevity standards, ensuring a lifetime of reliable performance.
- Complements the full series to create a unified bathroom design.
- Standard flow rate: 2.2 GPM (9 L/min) at 60 PSI (4.1 bar).
- Optional low-flow options for water conservation: 1.0 GPM (4 L/min) or 1.5 GPM (6 L/min).
- Temperature adjustment is controlled within a 25° arc of handle travel.
- Features a clear hot and cold temperature indicator

MATERIAL

- Premium brass construction ensures durability and long-lasting performance.
- High-quality surface finishes resist corrosion and tarnishing for a refined appearance.

INSTALLATION

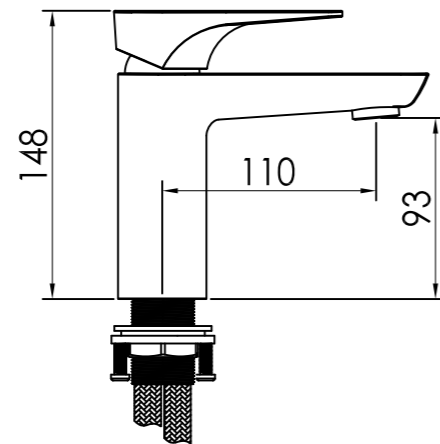
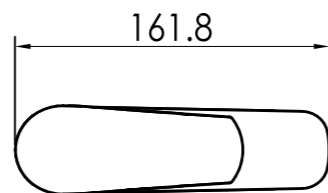
- Designed for single-hole deck mounting with a minimum diameter of 1-3/8" (35 mm).
- Pre-attached flexible hot and cold water supply lines simplify installation.

AVAILABLE COLORS

- Chrome Polished
- PVD Nickel Brushed
- PVD Hairline Gun Grey
- Matte Black Plus
- PVD Gold Hairline
- PVD Gold Glossy



AL-8801



CRITICAL DIMENSIONS
(Do not scale drawings)

WARRANTY

- Lifetime limited warranty against leaks, drips, and finish defects for the original homeowner.
- Five-year limited warranty for commercial installations.

For detailed warranty information, please visit our website.

KNB Co. reserves the right to revise product specifications without prior notice.



Specifications

kitchen & oth
LUXURY BATHROOM ACCESSORIES

Extended Basin Mixer

DESCRIPTION

- Single-lever handle provides precise control of water flow and temperature.
- Durable ceramic disc valves exceed industry longevity standards, ensuring a lifetime of reliable performance.
- Complements the full series to create a unified bathroom design.
- Standard flow rate: 2.2 GPM (9 L/min) at 60 PSI (4.1 bar).
- Optional low-flow options for water conservation: 1.0 GPM (4 L/min) or 1.5 GPM (6 L/min).
- Temperature adjustment is controlled within a 25° arc of handle travel.
- Features a clear hot and cold temperature indicator

MATERIAL

- Premium brass construction ensures durability and long-lasting performance.
- High-quality surface finishes resist corrosion and tarnishing for a refined appearance.

INSTALLATION

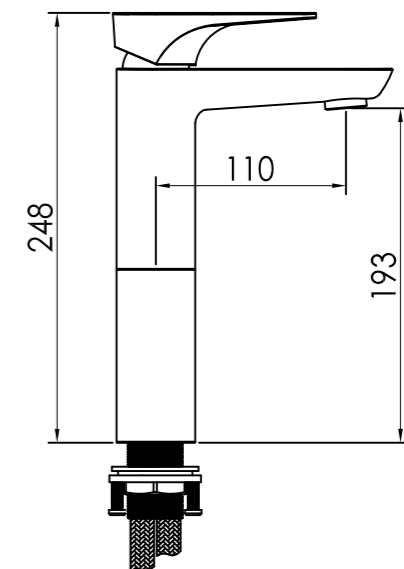
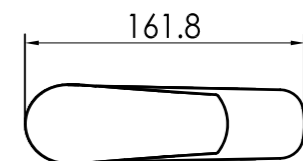
- Designed for single-hole deck mounting with a minimum diameter of 1-3/8" (35 mm).
- Pre-attached flexible hot and cold water supply lines simplify installation.

AVAILABLE COLORS

- Chrome Polished
- PVD Nickel Brushed
- PVD Hairline Gun Grey
- Matte Black Plus
- PVD Gold Hairline
- PVD Gold Glossy



AL-8801X



CRITICAL DIMENSIONS
(Do not scale drawings)

WARRANTY

- Lifetime limited warranty against leaks, drips, and finish defects for the original homeowner.
- Five-year limited warranty for commercial installations.

For detailed warranty information, please visit our website.

KNB Co. reserves the right to revise product specifications without prior notice.





Golden Elegance
**The Ultimate Basin
Faucet Experience**



Specifications

kitchen & oth
LUXURY BATHROOM ACCESSORIES

Bathtub Mixer Set

DESCRIPTION

- Single-lever handle provides easy and precise control of water flow and temperature.
- Durable ceramic disc valves exceed industry longevity standards, ensuring long-lasting performance.
- Complements the full series for a cohesive and unified bathroom design.
- Standard flow rate for spout: 4.5 GPM (18 L/min) at 60 PSI (3 bar).
- Standard flow rate for hand shower: 2.2 GPM (9 L/min) at 60 PSI (3 bar).
- Optional water-saving flow rates: 1.2 GPM / 1.6 GPM.
- Temperature adjustment controlled within a 25° arc of handle travel.
- Two-function switch allows seamless operation between the bathtub spout and hand shower.
- Includes a 1.5 m SUS304 shower hose for enhanced flexibility.
- Features clear hot and cold temperature indicators.

MATERIAL

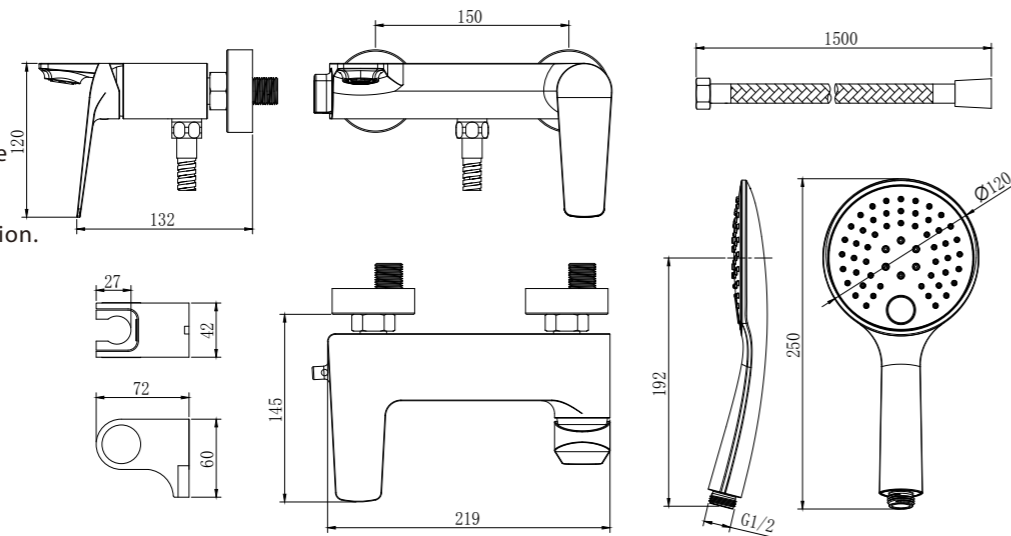
- Premium brass construction ensures durability and reliability.
- Zinc alloy handle for a sturdy and ergonomic grip.
- Brass shower holder for added strength and functionality.
- High-quality surface finishes resist corrosion and tarnishing for a refined appearance.

INSTALLATION

- Designed for two-hole wall mounting with a center-to-center distance of 150 mm.
- Includes a 3/4" elbow adaptor for easy connection.

AVAILABLE COLORS

- Chrome Polished
- PVD Nickel Brushed
- PVD Hairline Gun Grey
- Matte Black Plus
- PVD Gold Hairline
- PVD Gold Glossy



CRITICAL DIMENSIONS

(Do not scale drawings)

WARRANTY

- Lifetime limited warranty against leaks, drips, and finish defects for the original homeowner.
- Five-year limited warranty for commercial installations.

For detailed warranty information, please visit our website.

KNB Co. reserves the right to revise product specifications without prior notice.



Specifications

kitchen & oth
LUXURY BATHROOM ACCESSORIES

Bathtub Mixer Set

DESCRIPTION

- Single-lever handle allows for easy control of water volume and temperature.
- Durable ceramic disc valves exceed industry standards, providing long-lasting and reliable performance.
- Coordinates with the complete product series to unify your bathroom design.
- Standard flow rates:
- Spout: 4.5 gpm (18 L/min) at 60 psi (3 bar).
- Hand shower: 2.2 gpm (9 L/min) at 60 psi (3 bar).
- Optional water-saving flow rates available (1.2 gpm / 1.6 gpm).
- Temperature is adjusted through a 25° arc of handle travel.
- Features two functional switches for effortless transition between the bathtub spout and hand shower.
- Includes a 1.5m SUS304 shower hose and a 700mm sliding rail for flexible and convenient use.
- Hot and cold temperature indicators are clearly marked for user convenience.

MATERIAL

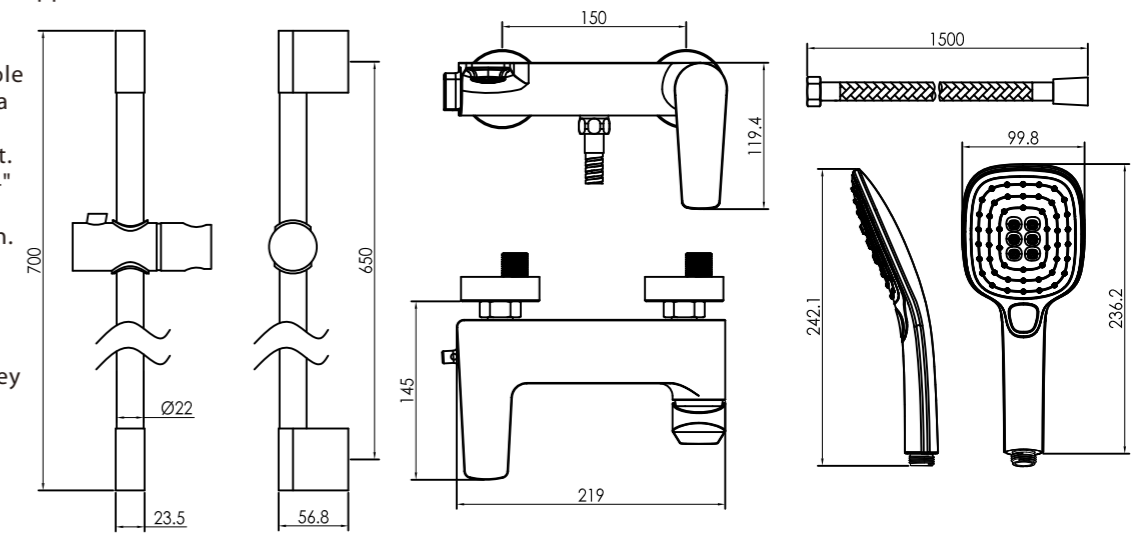
- High-quality brass construction ensures durability and long service life.
- Zinc casting for the handle provides a sturdy yet lightweight design.
- Brass shower holder adds strength and elegance.
- Premium surface finishes resist corrosion and tarnishing, maintaining a pristine appearance over time.

INSTALLATION

- Designed for two-hole wall mounting with a 150mm center-to-center measurement.
- Compatible with 3/4" elbow adaptors for seamless installation.

AVAILABLE COLORS

- Chrome Polished
- PVD Nickel Brushed
- PVD Hairline Gun Grey
- Matte Black Plus
- PVD Gold Hairline
- PVD Gold Glossy



CRITICAL DIMENSIONS

(Do not scale drawings)

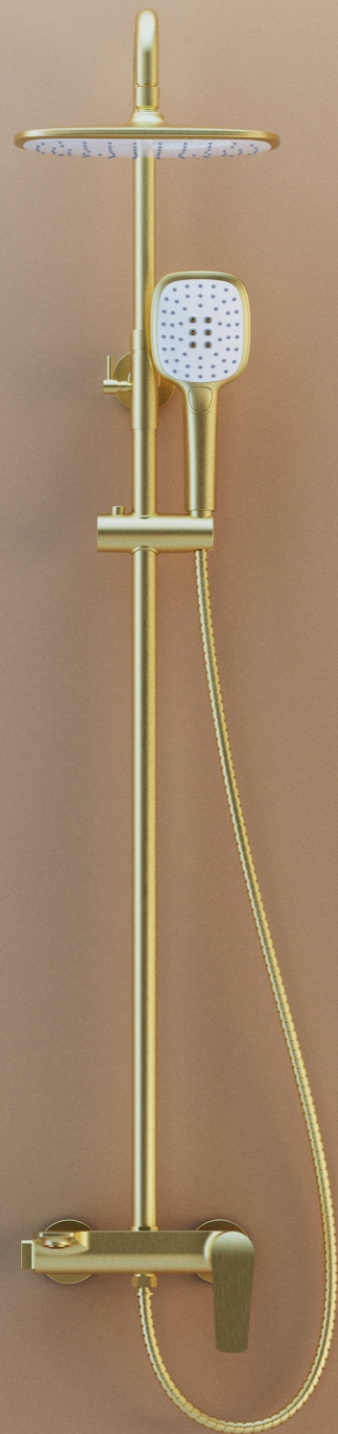
WARRANTY

- Lifetime limited warranty against leaks, drips, and finish defects for the original homeowner.
- Five-year limited warranty for commercial installations.

For detailed warranty information, please visit our website.

KNB Co. reserves the right to revise product specifications without prior notice.





THE PERFECT BATHROOM SHOWER EXPERIENCE

ELEVATES YOUR BATHROOM DÉCOR TO NEW HEIGHTS

a gold-colored bathroom shower system is more than a utility; it's a statement piece that transforms everyday routines into moments of indulgence. let its gleaming design and superior performance turn your bathroom into a sanctuary of elegance, comfort, and style.



Specifications

kitchen & oth
LUXURY BATHROOM ACCESSORIES

Shower Mixer Set

DESCRIPTION

- Telescopic chrome shower column for enhanced adjustability and functionality.
- Single-lever handle allows easy and precise control of water flow and temperature.
- Durable ceramic disc valves exceed industry longevity standards, ensuring reliable performance.
- Complements the full series for a cohesive and unified bathroom design.
- Standard flow rates:
 - Spout: 4.5 GPM (18 L/min) at 60 PSI (3 bar).
 - Showerhead: 3.2 GPM (9–12 L/min).
 - Hand shower: 2.3 GPM (6–9 L/min).
- Optional water-saving flow rates (1.2 GPM / 1.6 GPM) available for the hand shower and showerhead.
- Temperature adjustment is controlled within a 25° arc of handle travel.
- Three-function diverter switch for effortless operation between the bathtub spout, hand shower, and showerhead.
- Comes with a 1.5 m SUS304 shower hose for enhanced flexibility.
- Features clear hot and cold temperature indicators.

MATERIAL

- High-quality brass construction ensures durability and stability.
- Zinc alloy handle for a sturdy and ergonomic grip.
- ABS shower holder for lightweight support.
- Metal showerhead for durability and performance.
- SUS304 stainless steel shower column for corrosion resistance.
- Brass hand shower for a premium feel and function.
- Premium surface finishes resist corrosion and tarnishing, maintaining an elegant appearance.

INSTALLATION

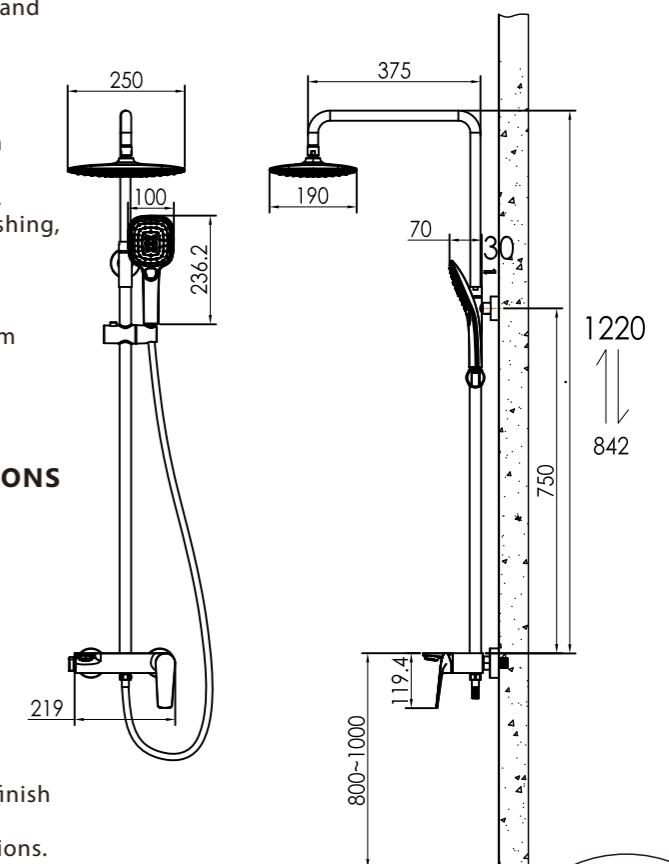
- Designed for two-hole wall mounting with a 150 mm center-to-center distance.
- Includes a 3/4" elbow adaptor for easy and secure connection.

AVAILABLE COLORS

- Chrome Polished
- PVD Nickel Brushed
- PVD Hairline Gun Grey
- Matte Black Plus
- PVD Gold Hairline
- PVD Gold Glossy

CRITICAL DIMENSIONS

(Do not scale drawings)



AL-8705

WARRANTY

- Lifetime limited warranty against leaks, drips, and finish defects for the original homeowner.
- Five-year limited warranty for commercial installations.

For detailed warranty information, please visit our website.

KNB Co. reserves the right to revise product specifications without prior notice.



Save Earth

No matter the result, remember to recycle, reuse, and flatten when clean.





Specifications

kitchen & oth
LUXURY BATHROOM ACCESSORIES

Basin Mixer

DESCRIPTION

- Single-lever handle provides precise control of water flow and temperature.
- Durable ceramic disc valves exceed industry longevity standards, ensuring a lifetime of reliable performance.
- Complements the full series to create a unified bathroom design.
- Standard flow rate: 2.2 GPM (9 L/min) at 60 PSI (4.1 bar).
- Optional low-flow options for water conservation: 1.0 GPM (4 L/min) or 1.5 GPM (6 L/min).
- Temperature adjustment is controlled within a 25° arc of handle travel.
- Features a clear hot and cold temperature indicator

MATERIAL

- Premium brass construction ensures durability and long-lasting performance.
- High-quality surface finishes resist corrosion and tarnishing for a refined appearance.

INSTALLATION

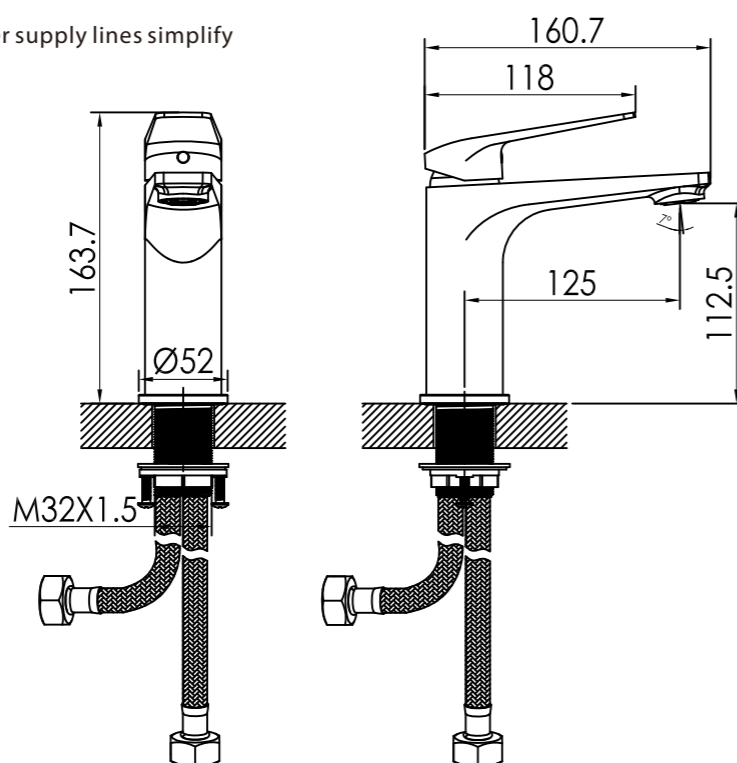
- Designed for single-hole deck mounting with a minimum diameter of 1-3/8" (35 mm).
- Pre-attached flexible hot and cold water supply lines simplify installation.

AVAILABLE COLORS

- Chrome Polished
- PVD Nickel Brushed
- PVD Hairline Gun Grey
- Matte Black Plus
- PVD Gold Hairline
- PVD Gold Glossy

CRITICAL DIMENSIONS

(Do not scale drawings)



AL-8701

WARRANTY

- Lifetime limited warranty against leaks, drips, and finish defects for the original homeowner.
- Five-year limited warranty for commercial installations.

For detailed warranty information, please visit our website.

KNB Co. reserves the right to revise product specifications without prior notice.



Specifications

kitchen & oth
LUXURY BATHROOM ACCESSORIES

Extended Basin Mixer

DESCRIPTION

- Single-lever handle provides precise control of water flow and temperature.
- Durable ceramic disc valves exceed industry longevity standards, ensuring a lifetime of reliable performance.
- Complements the full series to create a unified bathroom design.
- Standard flow rate: 2.2 GPM (9 L/min) at 60 PSI (4.1 bar).
- Optional low-flow options for water conservation: 1.0 GPM (4 L/min) or 1.5 GPM (6 L/min).
- Temperature adjustment is controlled within a 25° arc of handle travel.
- Features a clear hot and cold temperature indicator

MATERIAL

- Premium brass construction ensures durability and long-lasting performance.
- High-quality surface finishes resist corrosion and tarnishing for a refined appearance.

INSTALLATION

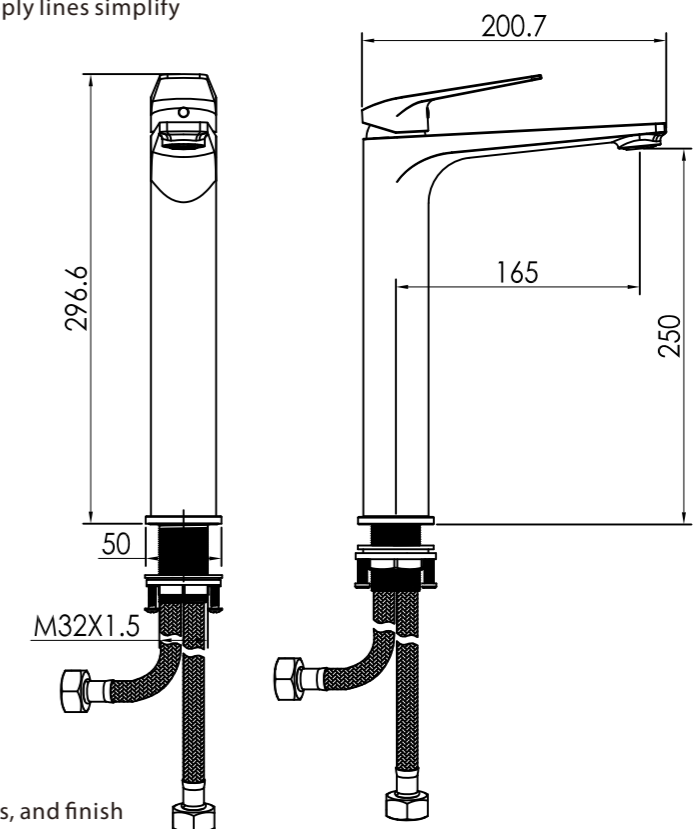
- Designed for single-hole deck mounting with a minimum diameter of 1-3/8" (35 mm).
- Pre-attached flexible hot and cold water supply lines simplify installation.

AVAILABLE COLORS

- Chrome Polished
- PVD Nickel Brushed
- PVD Hairline Gun Grey
- Matte Black Plus
- PVD Gold Hairline
- PVD Gold Glossy

CRITICAL DIMENSIONS

(Do not scale drawings)



AL-8701X

WARRANTY

- Lifetime limited warranty against leaks, drips, and finish defects for the original homeowner.
- Five-year limited warranty for commercial installations.

For detailed warranty information, please visit our website.

KNB Co. reserves the right to revise product specifications without prior notice.





Specifications

kitchen & oth
LUXURY BATHROOM ACCESSORIES

Basin Mixer

DESCRIPTION

- Single-lever handle provides precise control of water flow and temperature.
- Durable ceramic disc valves exceed industry longevity standards, ensuring a lifetime of reliable performance.
- Complements the full series to create a unified bathroom design.
- Standard flow rate: 2.2 GPM (9 L/min) at 60 PSI (4.1 bar).
- Optional low-flow options for water conservation: 1.0 GPM (4 L/min) or 1.5 GPM (6 L/min).
- Temperature adjustment is controlled within a 25° arc of handle travel.
- Features a clear hot and cold temperature indicator

MATERIAL

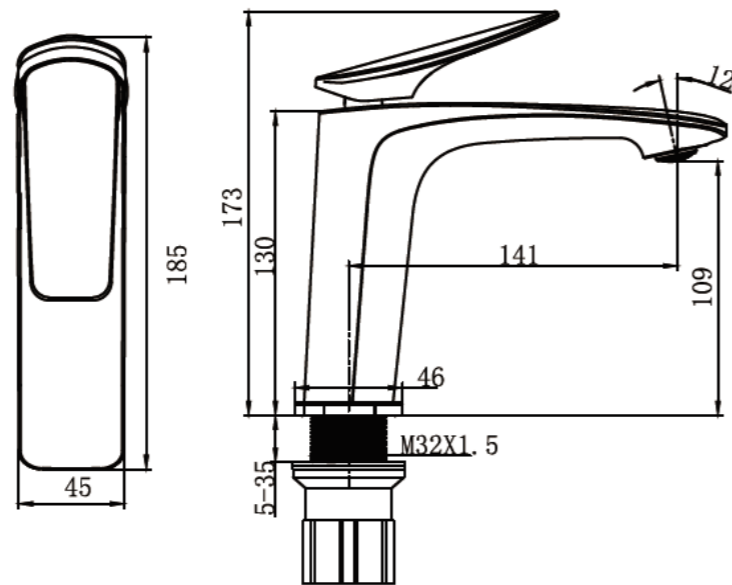
- Premium brass construction ensures durability and long-lasting performance.
- High-quality surface finishes resist corrosion and tarnishing for a refined appearance.

INSTALLATION

- Designed for single-hole deck mounting with a minimum diameter of 1-3/8" (35 mm).
- Pre-attached flexible hot and cold water supply lines simplify installation.

AVAILABLE COLORS

- Chrome Polished
- PVD Nickel Brushed
- PVD Hairline Gun Grey
- Matte Black Plus
- PVD Gold Hairline
- PVD Gold Glossy



CRITICAL DIMENSIONS
(Do not scale drawings)

AL-4101



WARRANTY

- Lifetime limited warranty against leaks, drips, and finish defects for the original homeowner.
- Five-year limited warranty for commercial installations.

For detailed warranty information, please visit our website.

KNB Co. reserves the right to revise product specifications without prior notice.



Specifications

kitchen & oth
LUXURY BATHROOM ACCESSORIES

Extended Basin Mixer

DESCRIPTION

- Single-lever handle provides precise control of water flow and temperature.
- Durable ceramic disc valves exceed industry longevity standards, ensuring a lifetime of reliable performance.
- Complements the full series to create a unified bathroom design.
- Standard flow rate: 2.2 GPM (9 L/min) at 60 PSI (4.1 bar).
- Optional low-flow options for water conservation: 1.0 GPM (4 L/min) or 1.5 GPM (6 L/min).
- Temperature adjustment is controlled within a 25° arc of handle travel.
- Features a clear hot and cold temperature indicator

MATERIAL

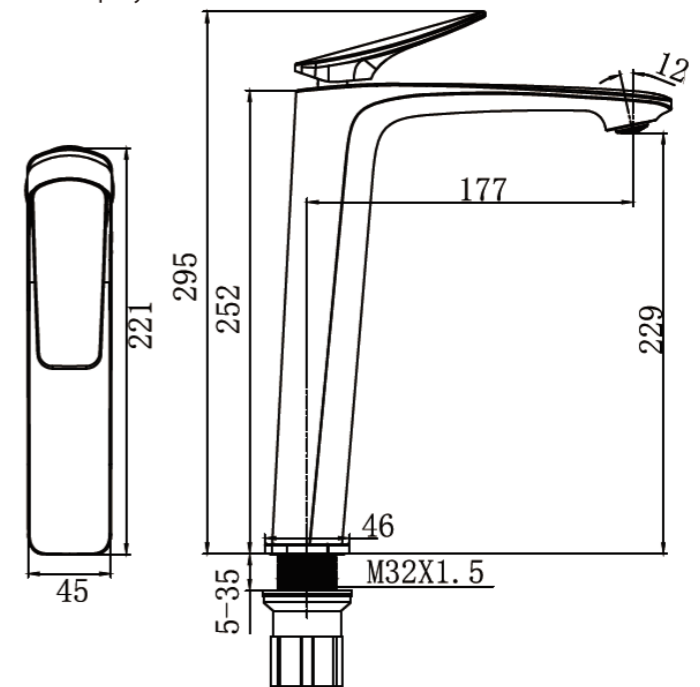
- Premium brass construction ensures durability and long-lasting performance.
- High-quality surface finishes resist corrosion and tarnishing for a refined appearance.

INSTALLATION

- Designed for single-hole deck mounting with a minimum diameter of 1-3/8" (35 mm).
- Pre-attached flexible hot and cold water supply lines simplify installation.

AVAILABLE COLORS

- Chrome Polished
- PVD Nickel Brushed
- PVD Hairline Gun Grey
- Matte Black Plus
- PVD Gold Hairline
- PVD Gold Glossy



CRITICAL DIMENSIONS
(Do not scale drawings)

AL-4101X



WARRANTY

- Lifetime limited warranty against leaks, drips, and finish defects for the original homeowner.
- Five-year limited warranty for commercial installations.

For detailed warranty information, please visit our website.

KNB Co. reserves the right to revise product specifications without prior notice.





Specifications

Wall Mounted Basin Mixer

DESCRIPTION

- Single-lever handle provides precise control of water flow and temperature.
- Durable ceramic disc valves exceed industry longevity standards, ensuring a lifetime of reliable performance.
- Complements the full series for a cohesive and unified bathroom design.
- Standard flow rate: 2.2 GPM (9 L/min) at 60 PSI (4.1 bar).
- Optional low-flow rates for water conservation: 1.0 GPM (4 L/min) or 1.5 GPM (6 L/min).
- Temperature adjustment controlled within a 25° arc of handle travel.
- Features clear hot and cold temperature indicators.



AL-4104

MATERIAL

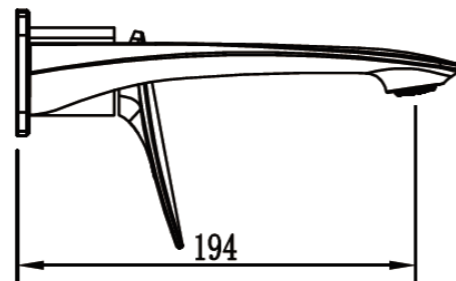
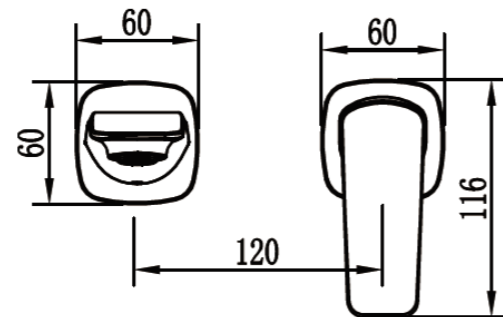
- Premium brass construction ensures durability and long-lasting performance.
- High-quality surface finishes resist corrosion and tarnishing for a refined appearance.

INSTALLATION

- Designed for wall-mounted installation.
- Requires pre-buried concealed water pipes.
- Follow the installation instructions for proper setup.

AVAILABLE COLORS

- Chrome Polished
- PVD Nickel Brushed
- PVD Hairline Gun Grey
- Matte Black Plus
- PVD Gold Hairline
- PVD Gold Glossy



CRITICAL DIMENSIONS

(Do not scale drawings)

WARRANTY

- Lifetime limited warranty against leaks, drips, and finish defects for the original homeowner.
- Five-year limited warranty for commercial installations.

For detailed warranty information, please visit our website.

KNB Co. reserves the right to revise product specifications without prior notice.



Save Earth

No matter the result, remember to recycle, reuse, and flatten when clean



Specifications

Shower Mixer Set

DESCRIPTION

- Telescopic chrome shower column for enhanced adjustability and functionality.
- Single-lever handle allows easy and precise control of water flow and temperature.
- Durable ceramic disc valves exceed industry longevity standards, ensuring reliable performance.
- Complements the full series for a cohesive and unified bathroom design.
- Standard flow rates:
- Spout: 4.5 GPM (18 L/min) at 60 PSI (3 bar).
- Showerhead: 3.2 GPM (9–12 L/min).
- Hand shower: 2.3 GPM (6–9 L/min).
- Optional water-saving flow rates (1.2 GPM / 1.6 GPM) available for the hand shower and showerhead.
- Temperature adjustment is controlled within a 25° arc of handle travel.
- Three-function diverter switch for effortless operation between the bathtub spout, hand shower, and showerhead.
- Comes with a 1.5 m SUS304 shower hose for enhanced flexibility.
- Features clear hot and cold temperature indicators.



AL-4105

MATERIAL

- High-quality brass construction ensures durability and stability.
- Zinc alloy handle for a sturdy and ergonomic grip.
- ABS shower holder for lightweight support.
- Metal showerhead for durability and performance.
- SUS304 stainless steel shower column for corrosion resistance.
- Brass hand shower for a premium feel and function.
- Premium surface finishes resist corrosion and tarnishing, maintaining an elegant appearance.

INSTALLATION

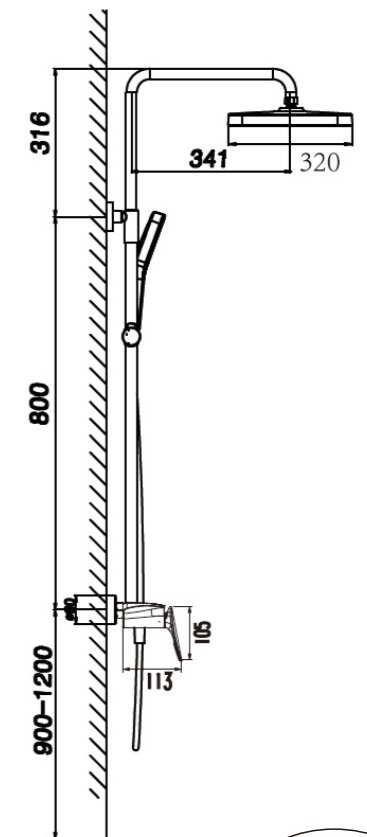
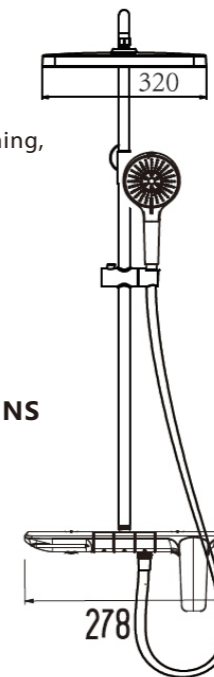
- Designed for two-hole wall mounting with a 150 mm center-to-center distance.
- Includes a 3/4" elbow adaptor for easy and secure connection.

AVAILABLE COLORS

- Chrome Polished
- PVD Nickel Brushed
- PVD Hairline Gun Grey
- Matte Black Plus
- PVD Gold Hairline
- PVD Gold Glossy

CRITICAL DIMENSIONS

(Do not scale drawings)



WARRANTY

- Lifetime limited warranty against leaks, drips, and finish defects for the original homeowner.
- Five-year limited warranty for commercial installations.

For detailed warranty information, please visit our website.

KNB Co. reserves the right to revise product specifications without prior notice.



Save Earth

No matter the result, remember to recycle, reuse, and flatten when clean



Specifications

Shower Mixer Set

DESCRIPTION

- Telescopic chrome shower column for enhanced adjustability and functionality.
- Single-lever handle allows easy and precise control of water flow and temperature.
- Durable ceramic disc valves exceed industry longevity standards, ensuring reliable performance.
- Complements the full series for a cohesive and unified bathroom design.
- Standard flow rates:
- Spout: 4.5 GPM (18 L/min) at 60 PSI (3 bar).
- Showerhead: 3.2 GPM (9–12 L/min).
- Hand shower: 2.3 GPM (6–9 L/min).
- Optional water-saving flow rates (1.2 GPM / 1.6 GPM) available for the hand shower and showerhead.
- Temperature adjustment is controlled within a 25° arc of handle travel.
- Three-function diverter switch for effortless operation between the bathtub spout, hand shower, and showerhead.
- Comes with a 1.5 m SUS304 shower hose for enhanced flexibility.
- Features clear hot and cold temperature indicators.

MATERIAL

- High-quality brass construction ensures durability and stability.
- Zinc alloy handle for a sturdy and ergonomic grip.
- ABS shower holder for lightweight support.
- Metal showerhead for durability and performance.
- SUS304 stainless steel shower column for corrosion resistance.
- Brass hand shower for a premium feel and function.
- Premium surface finishes resist corrosion and tarnishing, maintaining an elegant appearance.

INSTALLATION

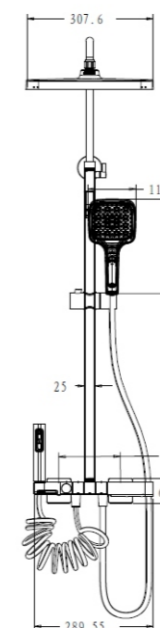
- Designed for two-hole wall mounting with a 150 mm center-to-center distance.
- Includes a 3/4" elbow adaptor for easy and secure connection.

AVAILABLE COLORS

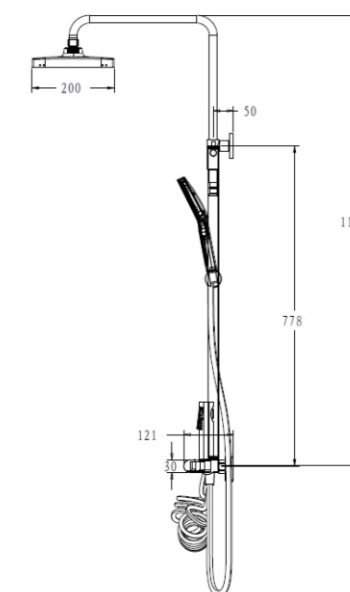
- Chrome Polished
- PVD Nickel Brushed
- PVD Hairline Gun Grey
- Matte Black Plus
- PVD Gold Hairline
- PVD Gold Glossy

CRITICAL DIMENSIONS

(Do not scale drawings)



AL-4205



WARRANTY

- Lifetime limited warranty against leaks, drips, and finish defects for the original homeowner.
- Five-year limited warranty for commercial installations.

For detailed warranty information, please visit our website.

KNB Co. reserves the right to revise product specifications without prior notice.



Save Earth

No matter the result, remember to recycle, reuse, and flatten when clean.



**Timeless Elegance
with a Classic**



Specifications



Concealed Shower Mixer Set

DESCRIPTION

- Single-lever handle provides precise control of water flow and temperature.
- Durable ceramic disc valves exceed industry longevity standards, ensuring a lifetime of reliable performance.
- Complements the full series for a cohesive and unified bathroom design.
- Temperature adjustment controlled within a 25° arc of handle travel.
- Features clear hot and cold temperature indicators.
- Two functions for showerhead and hand shower, offering multiple purposes with an integrated diverter for seamless switching between tub and shower applications.
- Standard flow rate for showerhead: 2.5 GPM (9 L/min); optional low-flow rates (1.2 GPM / 1.6 GPM) for water-saving purposes.
- Standard flow rate for hand shower: 2.5 GPM (9 L/min); optional low-flow rates (1.2 GPM / 1.6 GPM) for water-saving purposes.

MATERIAL

- Premium brass construction ensures durability and long-lasting performance.
- SUS chrome-plated wall cover for added protection and aesthetic appeal.
- Brass hand shower with a 1.5 m SUS304 shower hose.
- Brass water outlet elbow adaptor.
- High-quality surface finishes resist corrosion and tarnishing for a refined appearance.

INSTALLATION

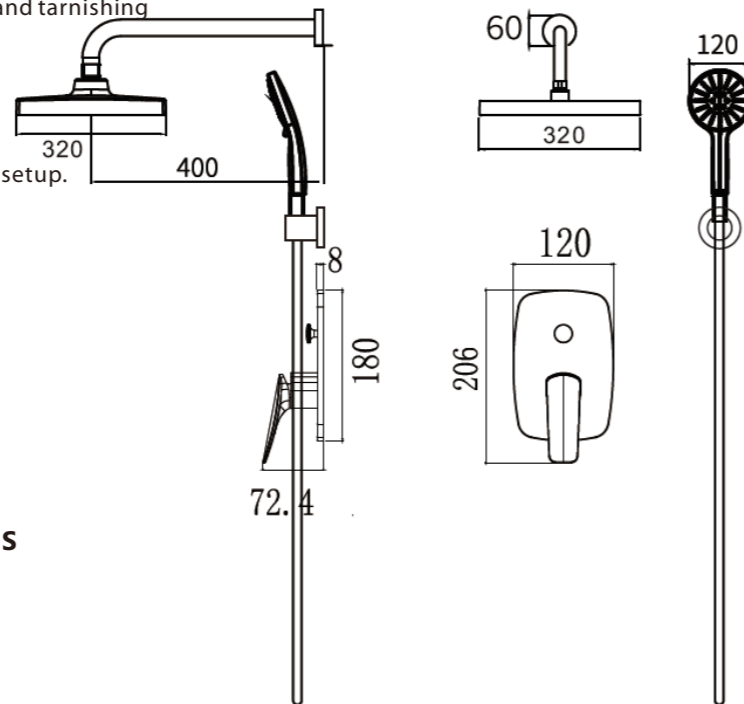
- Designed for wall-mounted installation.
- Requires pre-buried concealed water pipes.
- Follow the installation instructions for proper setup.

AVAILABLE COLORS

- Chrome Polished
- PVD Nickel Brushed
- PVD Hairline Gun Grey
- Matte Black Plus
- PVD Gold Hairline
- PVD Gold Glossy

CRITICAL DIMENSIONS

(Do not scale drawings)



AL-4109F2



WARRANTY

- Lifetime limited warranty against leaks, drips, and finish defects for the original homeowner.
- Five-year limited warranty for commercial installations.

For detailed warranty information, please visit our website.

KNB Co. reserves the right to revise product specifications without prior notice.



Specifications



Bathtub Mixer Set

DESCRIPTION

- Single-lever handle provides easy and precise control of water flow and temperature.
- Durable ceramic disc valves exceed industry longevity standards, ensuring reliable, long-term performance.
- Complements the full series for a cohesive and unified bathroom design.
- Standard flow rate for hand shower: 2.2 GPM (9 L/min) at 60 PSI (3 bar).
- Temperature adjustment is controlled within a 25° arc of handle travel.
- Features clear hot and cold temperature indicators.

MATERIAL

- High-quality brass construction ensures durability and stability.
- Zinc alloy handle for a sturdy and ergonomic grip.
- Premium surface finishes resist corrosion and tarnishing, maintaining a refined appearance over time.

INSTALLATION

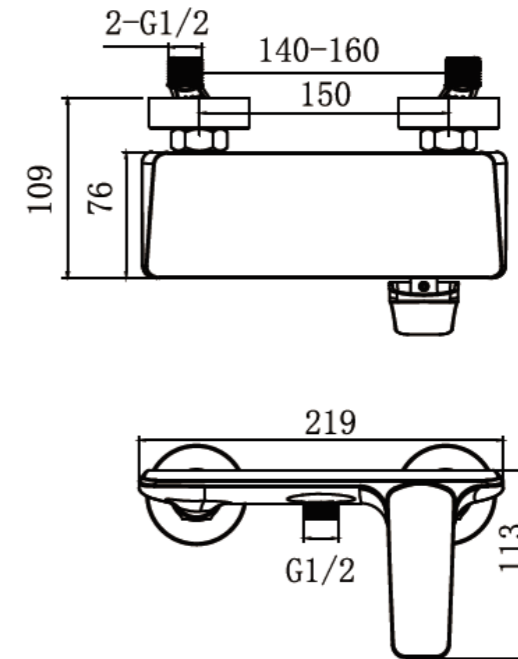
- Designed for two-hole wall mounting with a 150 mm center-to-center distance.
- Includes a 3/4" elbow adaptor for easy connection.

AVAILABLE COLORS

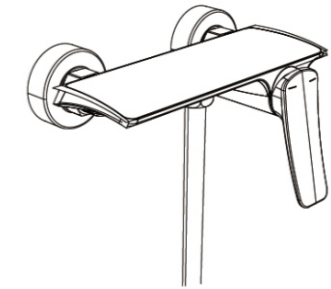
- Chrome Polished
- PVD Nickel Brushed
- PVD Hairline Gun Grey
- Matte Black Plus
- PVD Gold Hairline
- PVD Gold Glossy

CRITICAL DIMENSIONS

(Do not scale drawings)



AL-4103



WARRANTY

- Lifetime limited warranty against leaks, drips, and finish defects for the original homeowner.
- Five-year limited warranty for commercial installations.

For detailed warranty information, please visit our website.

KNB Co. reserves the right to revise product specifications without prior notice.



Elegance with Classic



kitchen & oth
LUXURY BATHROOM ACCESSORIES

Specifications

Shower Mixer Set

DESCRIPTION

- Single-lever handle provides easy and precise control of water flow and temperature.
- Durable ceramic disc valves exceed industry longevity standards, ensuring long-lasting performance.
- Complements the full series for a cohesive and unified bathroom design.
- Standard flow rate for spout: 4.5 GPM (18 L/min) at 60 PSI (3 bar).
- Standard flow rate for hand shower: 2.2 GPM (9 L/min) at 60 PSI (3 bar).
- Optional water-saving flow rates: 1.2 GPM / 1.6 GPM.
- Temperature adjustment controlled within a 25° arc of handle travel.
- Two-function switch allows seamless operation between the bathtub spout and hand shower.
- Includes a 1.5 m SUS304 shower hose for enhanced flexibility.
- Features clear hot and cold temperature indicators.

MATERIAL

- Premium brass construction ensures durability and reliability.
- Zinc alloy handle for a sturdy and ergonomic grip.
- Brass shower holder for added strength and functionality.
- High-quality surface finishes resist corrosion and tarnishing for a refined appearance.

INSTALLATION

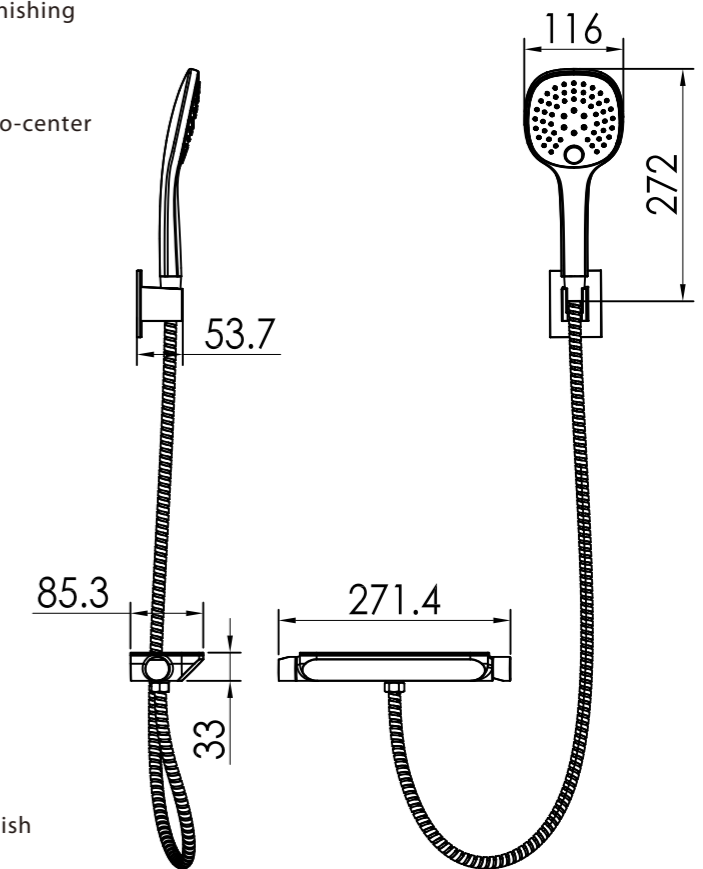
- Designed for two-hole wall mounting with a center-to-center distance of 150 mm.
- Includes a 3/4" elbow adaptor for easy connection.

AVAILABLE COLORS

- Chrome Polished
- PVD Nickel Brushed
- PVD Hairline Gun Grey
- Matte Black Plus
- PVD Gold Hairline
- PVD Gold Glossy

CRITICAL DIMENSIONS

(Do not scale drawings)



AL-4203

WARRANTY

- Lifetime limited warranty against leaks, drips, and finish defects for the original homeowner.
- Five-year limited warranty for commercial installations.

For detailed warranty information, please visit our website.

KNB Co. reserves the right to revise product specifications without prior notice.



Save Earth

No matter the result, remember to recycle, reuse, and flatten when clean.





Specifications

Shower Mixer Set

DESCRIPTION

- Single-lever handle provides easy and precise control of water flow and temperature.
- Durable ceramic disc valves exceed industry longevity standards, ensuring long-lasting performance.
- Complements the full series for a cohesive and unified bathroom design.
- Standard flow rate for spout: 4.5 GPM (18 L/min) at 60 PSI (3 bar).
- Standard flow rate for hand shower: 2.2 GPM (9 L/min) at 60 PSI (3 bar).
- Optional water-saving flow rates: 1.2 GPM / 1.6 GPM.
- Temperature adjustment controlled within a 25° arc of handle travel.
- Two-function switch allows seamless operation between the bathtub spout and hand shower.
- Includes a 1.5 m SUS304 shower hose for enhanced flexibility.
- Features clear hot and cold temperature indicators.

MATERIAL

- Premium brass construction ensures durability and reliability.
- Zinc alloy handle for a sturdy and ergonomic grip.
- Brass shower holder for added strength and functionality.
- High-quality surface finishes resist corrosion and tarnishing for a refined appearance.

INSTALLATION

- Designed for two-hole wall mounting with a center-to-center distance of 150 mm.
- Includes a 3/4" elbow adaptor for easy connection.

AVAILABLE COLORS

- Chrome Polished
- PVD Nickel Brushed
- PVD Hairline Gun Grey
- Matte Black Plus
- PVD Gold Hairline
- PVD Gold Glossy

CRITICAL DIMENSIONS

(Do not scale drawings)

WARRANTY

- Lifetime limited warranty against leaks, drips, and finish defects for the original homeowner.
- Five-year limited warranty for commercial installations.

For detailed warranty information, please visit our website.

KNB Co. reserves the right to revise product specifications without prior notice.



Save Earth

No matter the result, remember to recycle, reuse, and flatten when clean.



AL-4205

**Sleek
with Classic**





Specifications



Shower Elbow Adaptor

DESCRIPTION

- Handheld Shower Head Bracket Holder designed for durability and functionality.
- Features G1/2 male screw input/output threading for compatibility with most shower systems.

MATERIAL

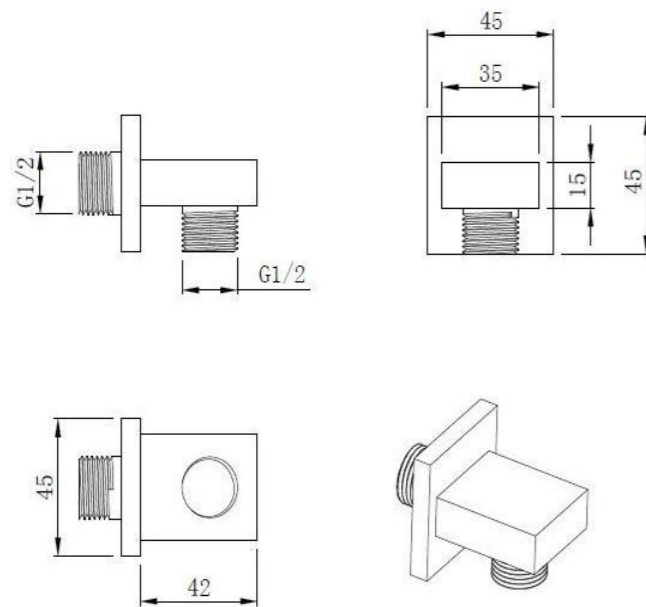
- Crafted from high-quality brass casting for long-lasting performance.
- Premium surface finishes resist corrosion and tarnishing, ensuring a polished and elegant appearance.

AVAILABLE COLORS

- Chrome Polished
- PVD Nickel Brushed
- PVD Hairline Gun Grey



CZ005-1C



CRITICAL DIMENSIONS

(Do not scale drawings)

WARRANTY

- Lifetime limited warranty against leaks, drips, and finish defects for the original homeowner.
- Five-year limited warranty for commercial installations.

For detailed warranty information, please visit our website.

KNB Co. reserves the right to revise product specifications without prior notice.



Specifications



Shower Elbow Adaptor

DESCRIPTION

- Handheld Shower Head Bracket Holder designed for durability and functionality.
- Features G1/2 male screw input/output threading for compatibility with most shower systems.

MATERIAL

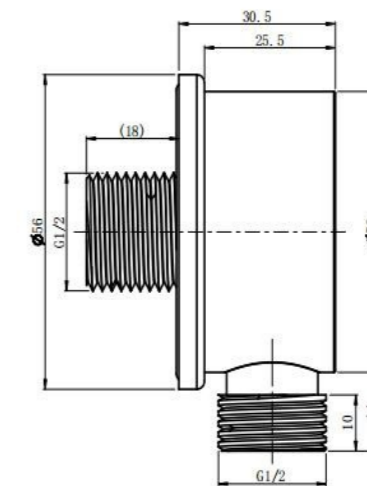
- Crafted from high-quality brass casting for long-lasting performance.
- Premium surface finishes resist corrosion and tarnishing, ensuring a polished and elegant appearance.

AVAILABLE COLORS

- Chrome Polished
- PVD Nickel Brushed
- PVD Hairline Gun Grey



BK052



CRITICAL DIMENSIONS

(Do not scale drawings)

WARRANTY

- Lifetime limited warranty against leaks, drips, and finish defects for the original homeowner.
- Five-year limited warranty for commercial installations.

For detailed warranty information, please visit our website.

KNB Co. reserves the right to revise product specifications without prior notice.





Specifications

kitchen & oth
LUXURY BATHROOM ACCESSORIES

Shower Holder

DESCRIPTION

- Handheld Shower Head Bracket Holder designed for durability and functionality.
- Features G1/2 male screw input/output threading for compatibility with most shower systems.

MATERIAL

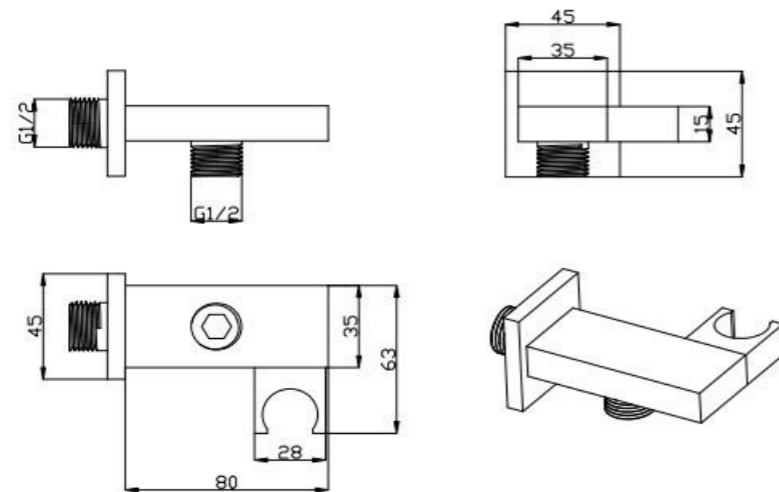
- Crafted from high-quality brass casting for long-lasting performance.
- Premium surface finishes resist corrosion and tarnishing, ensuring a polished and elegant appearance.

AVAILABLE COLORS

- Chrome Polished
- PVD Nickel Brushed
- PVD Hairline Gun Grey
- Matte Black Plus
- PVD Gold Hairline
- PVD Gold Glossy



CZ008-1C



CRITICAL DIMENSIONS

(Do not scale drawings)

WARRANTY

- Lifetime limited warranty against leaks, drips, and finish defects for the original homeowner.
- Five-year limited warranty for commercial installations.

For detailed warranty information, please visit our website.

KNB Co. reserves the right to revise product specifications without prior notice.



Specifications

kitchen & oth
LUXURY BATHROOM ACCESSORIES

Shower Holder

DESCRIPTION

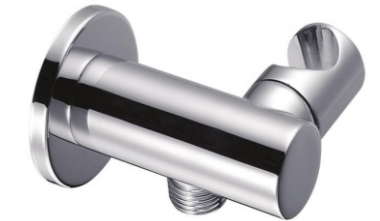
- Handheld Shower Head Bracket Holder designed for durability and functionality.
- Features G1/2 male screw input/output threading for compatibility with most shower systems.

MATERIAL

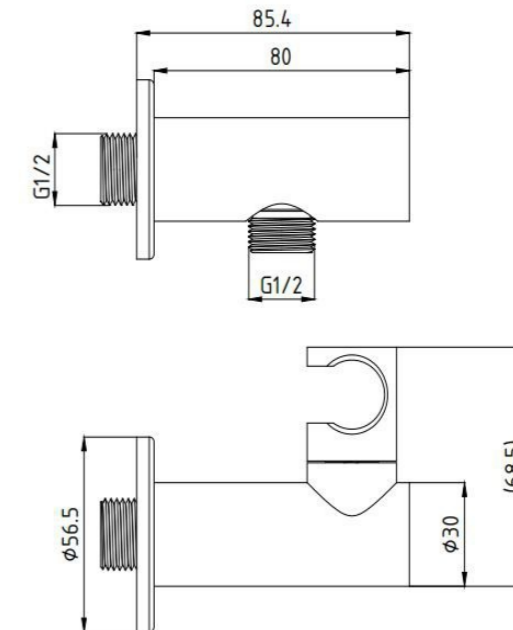
- Crafted from high-quality brass casting for long-lasting performance.
- Premium surface finishes resist corrosion and tarnishing, ensuring a polished and elegant appearance.

AVAILABLE COLORS

- Chrome Polished
- PVD Nickel Brushed
- PVD Hairline Gun Grey
- Matte Black Plus
- PVD Gold Hairline
- PVD Gold Glossy



CZ001-1C



CRITICAL DIMENSIONS

(Do not scale drawings)

WARRANTY

- Lifetime limited warranty against leaks, drips, and finish defects for the original homeowner.
- Five-year limited warranty for commercial installations.

For detailed warranty information, please visit our website.

KNB Co. reserves the right to revise product specifications without prior notice.





Specifications



Shower Arm

DESCRIPTION

- Wall-mounted shower arm for reliable support and modern aesthetics.
- Designed with G1/2 male screw input/output threads for easy compatibility with a wide range of showerheads.

MATERIAL

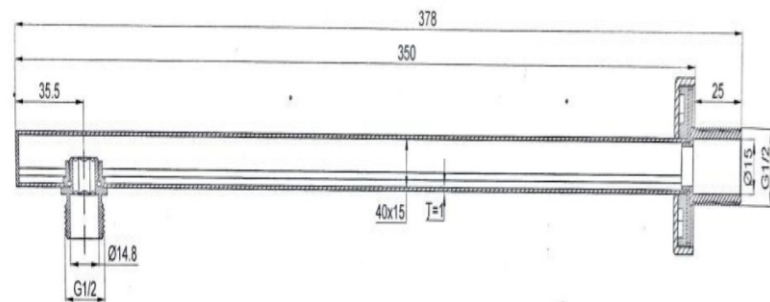
- Made of durable main brass casting for long-lasting performance.
- Finished with premium surface treatments to resist corrosion and tarnishing, maintaining a polished look over time.

AVAILABLE COLORS

- Chrome Polished
- PVD Nickel Brushed
- PVD Hairline Gun Grey
- Matte Black Plus
- PVD Gold Hairline
- PVD Gold Glossy



GB071-1



CRITICAL DIMENSIONS

(Do not scale drawings)

WARRANTY

- Lifetime limited warranty against leaks, drips, and finish defects for the original homeowner.
- Five-year limited warranty for commercial installations.

For detailed warranty information, please visit our website.

KNB Co. reserves the right to revise product specifications without prior notice.



Specifications



Shower Arm

DESCRIPTION

- Wall-mounted shower arm for reliable support and modern aesthetics.
- Designed with G1/2 male screw input/output threads for easy compatibility with a wide range of showerheads.

MATERIAL

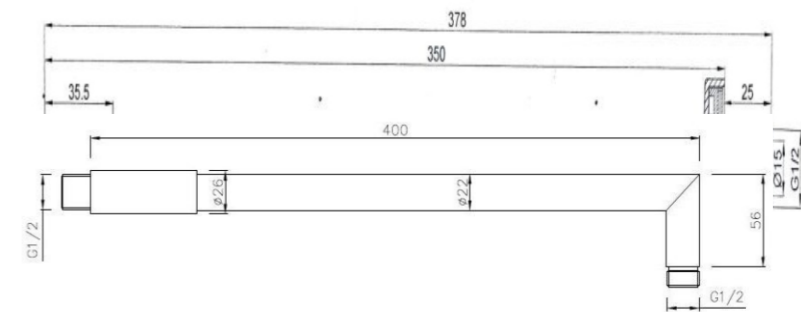
- Made of durable main brass casting for long-lasting performance.
- Finished with premium surface treatments to resist corrosion and tarnishing, maintaining a polished look over time.

AVAILABLE COLORS

- Chrome Polished
- PVD Nickel Brushed
- PVD Hairline Gun Grey
- Matte Black Plus
- PVD Gold Hairline
- PVD Gold Glossy



GB007



ITEM.NO: GB007-1C
MATERIAL: BRASS

CRITICAL DIMENSIONS

(Do not scale drawings)

WARRANTY

- Lifetime limited warranty against leaks, drips, and finish defects for the original homeowner.
- Five-year limited warranty for commercial installations.

For detailed warranty information, please visit our website.

KNB Co. reserves the right to revise product specifications without prior notice.





Specifications

kitchen & oth
LUXURY BATHROOM ACCESSORIES

Shower Head

DESCRIPTION

- Shower head designed for shower columns, ensuring a luxurious shower experience.
- Features an anti-limescale system with easy-to-clean nozzles, maintaining performance and hygiene.
- Versatile use, ideal for hotels, spas, and home bathrooms.
- Simple, tool-free installation for user convenience.



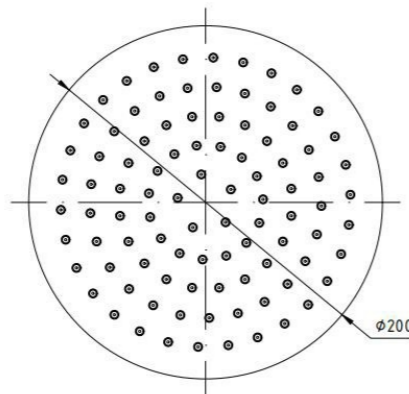
BRK087-F

MATERIAL

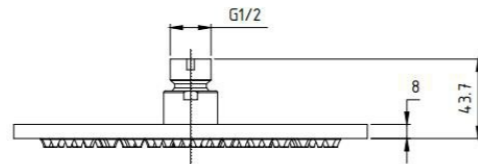
- Constructed from high-quality main brass casting for durability and strength.
- Polished mirror-effect finish adds a touch of elegance and resists wear over time.

AVAILABLE COLORS

- Chrome Polished
- PVD Nickel Brushed
- PVD Hairline Gun Grey
- Matte Black Plus
- PVD Gold Hairline
- PVD Gold Glossy



CRITICAL DIMENSIONS
(Do not scale drawings)



WARRANTY

- Lifetime limited warranty against leaks, drips, and finish defects for the original homeowner.
- Five-year limited warranty for commercial installations.

For detailed warranty information, please visit our website.

KNB Co. reserves the right to revise product specifications without prior notice.



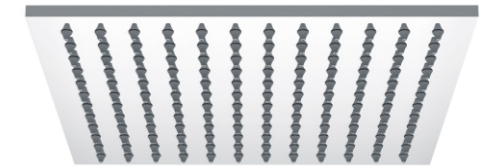
Specifications

kitchen & oth
LUXURY BATHROOM ACCESSORIES

Shower Head

DESCRIPTION

- Shower head designed for shower columns, ensuring a luxurious shower experience.
- Features an anti-limescale system with easy-to-clean nozzles, maintaining performance and hygiene.
- Versatile use, ideal for hotels, spas, and home bathrooms.
- Simple, tool-free installation for user convenience.



BSK107

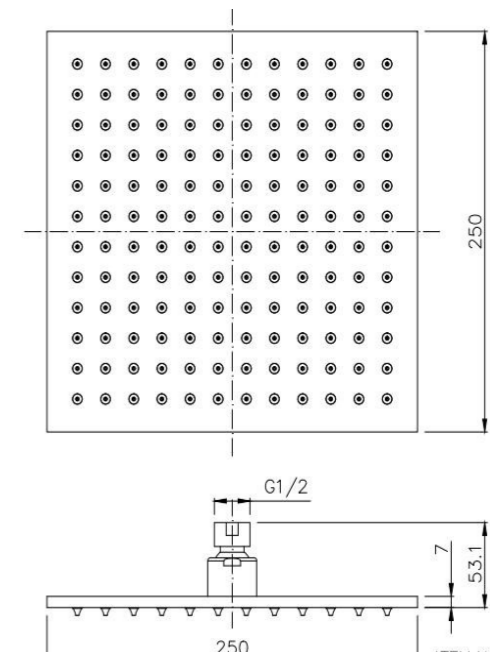
MATERIAL

- Constructed from high-quality main brass casting for durability and strength.
- Polished mirror-effect finish adds a touch of elegance and resists wear over time.

AVAILABLE COLORS

- Chrome Polished
- PVD Nickel Brushed
- PVD Hairline Gun Grey
- Matte Black Plus
- PVD Gold Hairline
- PVD Gold Glossy

CRITICAL DIMENSIONS
(Do not scale drawings)



WARRANTY

- Lifetime limited warranty against leaks, drips, and finish defects for the original homeowner.
- Five-year limited warranty for commercial installations.

For detailed warranty information, please visit our website.

KNB Co. reserves the right to revise product specifications without prior notice.





Specifications



Shower Head

DESCRIPTION

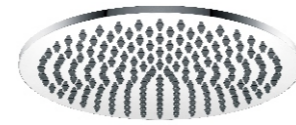
- Shower head designed for shower columns, ensuring a luxurious shower experience.
- Features an anti-limescale system with easy-to-clean nozzles, maintaining performance and hygiene.
- Versatile use, ideal for hotels, spas, and home bathrooms.
- Simple, tool-free installation for user convenience.

MATERIAL

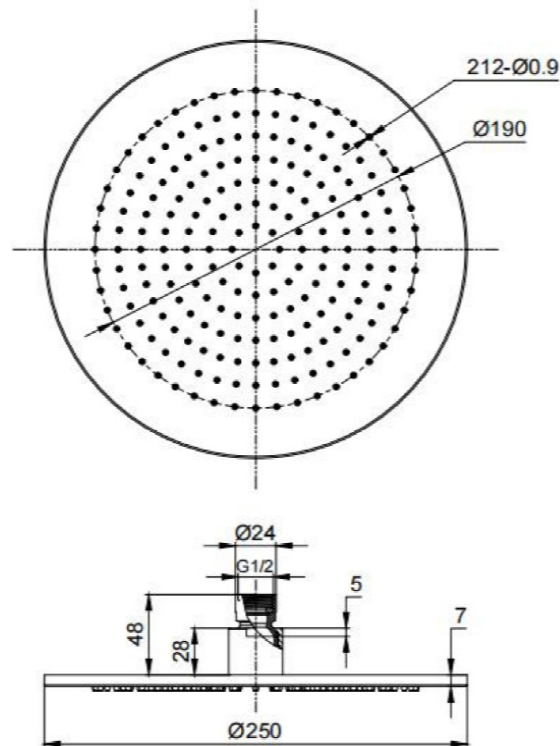
- Constructed from high-quality main brass casting for durability and strength.
- Polished mirror-effect finish adds a touch of elegance and resists wear over time.

AVAILABLE COLORS

- Chrome Polished
- PVD Nickel Brushed
- PVD Hairline Gun Grey
- Matte Black Plus
- PVD Gold Hairline
- PVD Gold Glossy



BRK107-F



CRITICAL DIMENSIONS
(Do not scale drawings)

WARRANTY

- Lifetime limited warranty against leaks, drips, and finish defects for the original homeowner.
- Five-year limited warranty for commercial installations.

For detailed warranty information, please visit our website.

KNB Co. reserves the right to revise product specifications without prior notice.



Specifications



Shower Head

DESCRIPTION

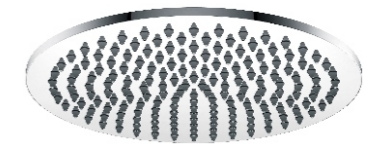
- Shower head designed for shower columns, ensuring a luxurious shower experience.
- Features an anti-limescale system with easy-to-clean nozzles, maintaining performance and hygiene.
- Versatile use, ideal for hotels, spas, and home bathrooms.
- Simple, tool-free installation for user convenience.

MATERIAL

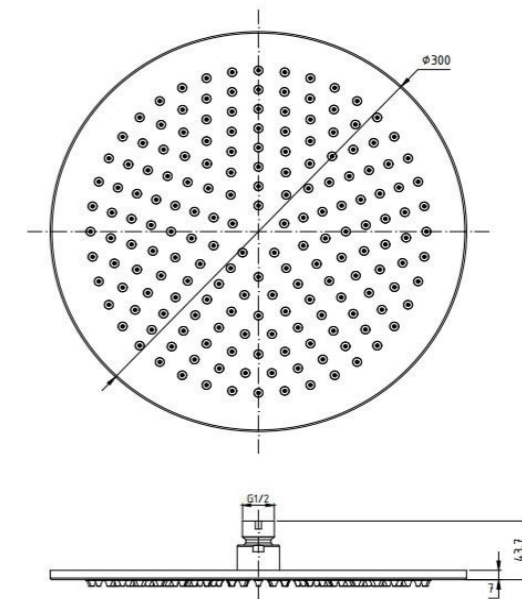
- Constructed from high-quality main brass casting for durability and strength.
- Polished mirror-effect finish adds a touch of elegance and resists wear over time.

AVAILABLE COLORS

- Chrome Polished
- PVD Nickel Brushed
- PVD Hairline Gun Grey
- Matte Black Plus
- PVD Gold Hairline
- PVD Gold Glossy



BRK127-F



CRITICAL DIMENSIONS
(Do not scale drawings)

WARRANTY

- Lifetime limited warranty against leaks, drips, and finish defects for the original homeowner.
- Five-year limited warranty for commercial installations.

For detailed warranty information, please visit our website.

KNB Co. reserves the right to revise product specifications without prior notice.





Specifications

kitchen & oth
LUXURY BATHROOM ACCESSORIES

Shower Head

DESCRIPTION

- Shower head designed for shower columns, ensuring a luxurious shower experience.
- Features an anti-limescale system with easy-to-clean nozzles, maintaining performance and hygiene.
- Versatile use, ideal for hotels, spas, and home bathrooms.
- Simple, tool-free installation for user convenience.

MATERIAL

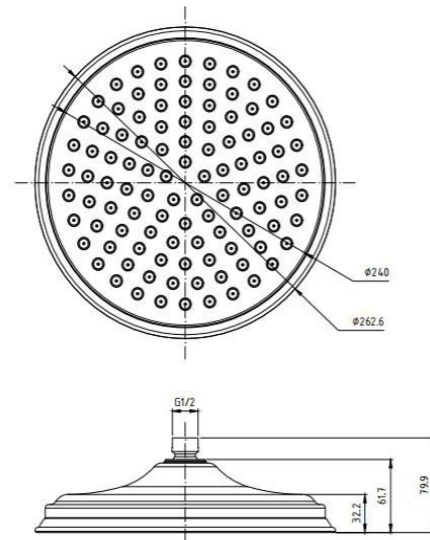
- Constructed from high-quality main brass casting for durability and strength.
- Polished mirror-effect finish adds a touch of elegance and resists wear over time.

AVAILABLE COLORS

- Chrome Polished
- PVD Nickel Brushed
- PVD Hairline Gun Grey
- Matte Black Plus
- PVD Gold Hairline
- PVD Gold Glossy



BRC102



CRITICAL DIMENSIONS
(Do not scale drawings)

WARRANTY

- Lifetime limited warranty against leaks, drips, and finish defects for the original homeowner.
- Five-year limited warranty for commercial installations.

For detailed warranty information, please visit our website.

KNB Co. reserves the right to revise product specifications without prior notice.



Specifications

kitchen & oth
LUXURY BATHROOM ACCESSORIES

Shower Head

DESCRIPTION

- Shower head designed for shower columns, ensuring a luxurious shower experience.
- Features an anti-limescale system with easy-to-clean nozzles, maintaining performance and hygiene.
- Versatile use, ideal for hotels, spas, and home bathrooms.
- Simple, tool-free installation for user convenience.

MATERIAL

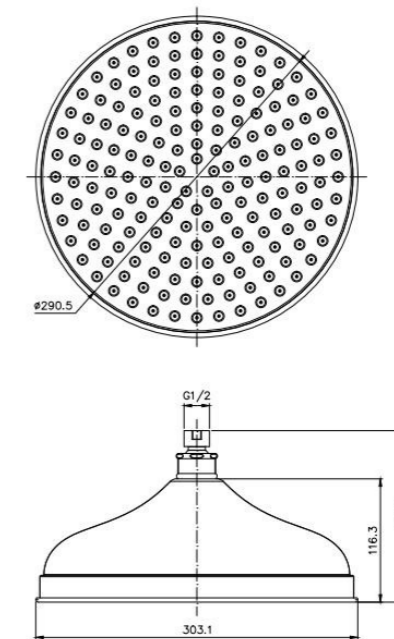
- Constructed from high-quality main brass casting for durability and strength.
- Polished mirror-effect finish adds a touch of elegance and resists wear over time.

AVAILABLE COLORS

- Chrome Polished
- PVD Nickel Brushed
- PVD Hairline Gun Grey
- Matte Black Plus
- PVD Gold Hairline
- PVD Gold Glossy



BRC121



CRITICAL DIMENSIONS
(Do not scale drawings)

WARRANTY

- Lifetime limited warranty against leaks, drips, and finish defects for the original homeowner.
- Five-year limited warranty for commercial installations.

For detailed warranty information, please visit our website.

KNB Co. reserves the right to revise product specifications without prior notice.





Specifications



Shower Head

DESCRIPTION

- Shower head designed for shower columns, ensuring a luxurious shower experience.
- Features an anti-limescale system with easy-to-clean nozzles, maintaining performance and hygiene.
- Versatile use, ideal for hotels, spas, and home bathrooms.
- Simple, tool-free installation for user convenience.

MATERIAL

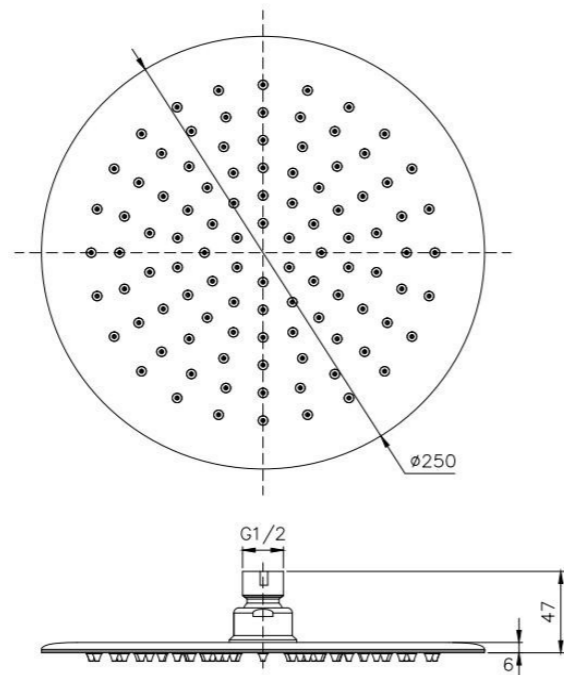
- Constructed from high-quality main brass casting for durability and strength.
- Polished mirror-effect finish adds a touch of elegance and resists wear over time.

AVAILABLE COLORS

- Chrome Polished
- PVD Nickel Brushed
- PVD Hairline Gun Grey
- Matte Black Plus
- PVD Gold Hairline
- PVD Gold Glossy



SRR101-1F



CRITICAL DIMENSIONS
(Do not scale drawings)

WARRANTY

- Lifetime limited warranty against leaks, drips, and finish defects for the original homeowner.
- Five-year limited warranty for commercial installations.

For detailed warranty information, please visit our website.

KNB Co. reserves the right to revise product specifications without prior notice.



Specifications



Shower Head

DESCRIPTION

- Shower head designed for shower columns, ensuring a luxurious shower experience.
- Features an anti-limescale system with easy-to-clean nozzles, maintaining performance and hygiene.
- Versatile use, ideal for hotels, spas, and home bathrooms.
- Simple, tool-free installation for user convenience.

MATERIAL

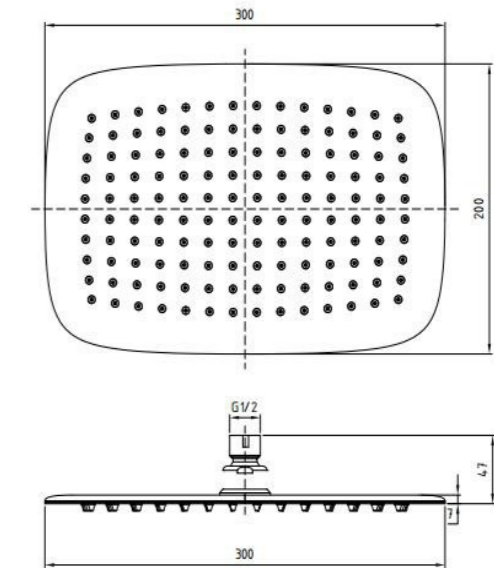
- Constructed from high-quality main brass casting for durability and strength.
- Polished mirror-effect finish adds a touch of elegance and resists wear over time.

AVAILABLE COLORS

- Chrome Polished
- PVD Nickel Brushed
- PVD Hairline Gun Grey
- Matte Black Plus
- PVD Gold Hairline
- PVD Gold Glossy



SSR123



CRITICAL DIMENSIONS
(Do not scale drawings)

WARRANTY

- Lifetime limited warranty against leaks, drips, and finish defects for the original homeowner.
- Five-year limited warranty for commercial installations.

For detailed warranty information, please visit our website.

KNB Co. reserves the right to revise product specifications without prior notice.





Specifications



Shower Head

DESCRIPTION

- Shower head designed for shower columns, ensuring a luxurious shower experience.
- Features an anti-limescale system with easy-to-clean nozzles, maintaining performance and hygiene.
- Versatile use, ideal for hotels, spas, and home bathrooms.
- Simple, tool-free installation for user convenience.



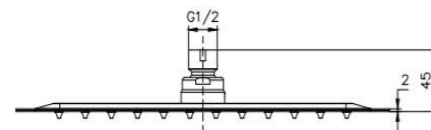
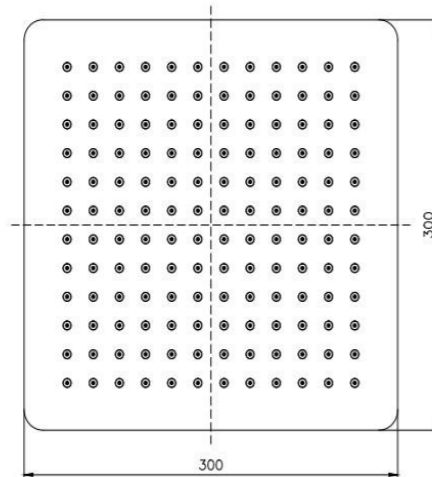
SSP121-1F

MATERIAL

- Constructed from high-quality main brass casting for durability and strength.
- Polished mirror-effect finish adds a touch of elegance and resists wear over time.

AVAILABLE COLORS

- Chrome Polished
- PVD Nickel Brushed
- PVD Hairline Gun Grey
- Matte Black Plus
- PVD Gold Hairline
- PVD Gold Glossy



CRITICAL DIMENSIONS
(Do not scale drawings)

WARRANTY

- Lifetime limited warranty against leaks, drips, and finish defects for the original homeowner.
- Five-year limited warranty for commercial installations.

For detailed warranty information, please visit our website.

KNB Co. reserves the right to revise product specifications without prior notice.



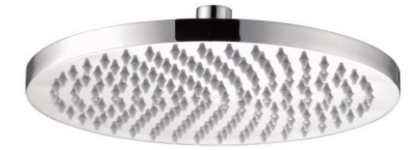
Specifications



Shower Head

DESCRIPTION

- Shower head designed for shower columns, ensuring a luxurious shower experience.
- Features an anti-limescale system with easy-to-clean nozzles, maintaining performance and hygiene.
- Versatile use, ideal for hotels, spas, and home bathrooms.
- Simple, tool-free installation for user convenience.



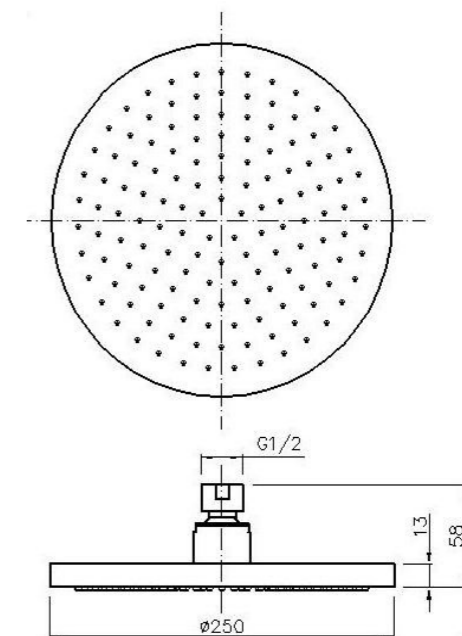
BRA102

MATERIAL

- Constructed from high-quality main brass casting for durability and strength.
- Polished mirror-effect finish adds a touch of elegance and resists wear over time.

AVAILABLE COLORS

- Chrome Polished
- PVD Nickel Brushed
- PVD Hairline Gun Grey
- Matte Black Plus
- PVD Gold Hairline
- PVD Gold Glossy



CRITICAL DIMENSIONS
(Do not scale drawings)

WARRANTY

- Lifetime limited warranty against leaks, drips, and finish defects for the original homeowner.
- Five-year limited warranty for commercial installations.

For detailed warranty information, please visit our website.

KNB Co. reserves the right to revise product specifications without prior notice.





Specifications

kitchen & oth
LUXURY BATHROOM ACCESSORIES

Concealed Shower Mixer

DESCRIPTION

- Single-lever handle allows precise control of water volume and temperature.
- Durable ceramic disc valves exceed industry standards, ensuring reliable, long-lasting performance.
- Harmonizes with the full product series to create a cohesive bathroom design.
- Standard flow rate: 2.5 gpm (9 L/min) at 60 psi (4.1 bar).
- Optional low-flow settings (1.2 gpm / 1.6 gpm) available for water conservation.
- Temperature adjustment is achieved through a 25° arc of handle travel.
- Features a hot and cold temperature indicator for user convenience.
- Designed specifically for single-function shower use.

MATERIAL

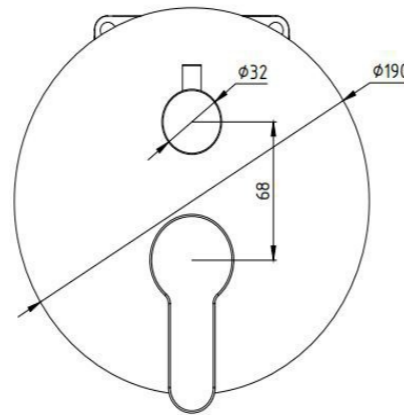
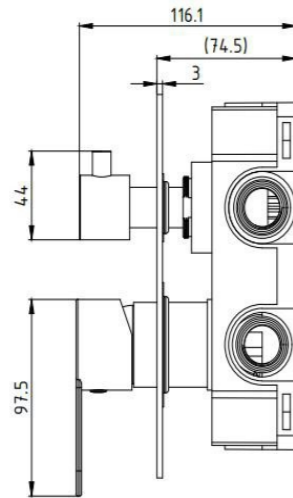
- High-quality brass construction ensures durability and performance.
- SUS chrome-plated wall cover provides enhanced resistance to tarnishing and corrosion.
- Premium surface finishes deliver long-lasting protection and a polished appearance.

INSTALLATION

- Designed for wall-mounted installation.
- Requires pre-buried concealed water pipes for proper setup.
- Follow the detailed installation instructions provided for seamless assembly.

AVAILABLE COLORS

- Chrome Polished
- PVD Nickel Brushed
- PVD Hairline Gun Grey
- Matte Black Plus
- PVD Gold Hairline
- PVD Gold Glossy



CRITICAL DIMENSIONS
(Do not scale drawings)



BA221T

WARRANTY

- Lifetime limited warranty against leaks, drips, and finish defects for the original homeowner.
- Five-year limited warranty for commercial installations.

For detailed warranty information, please visit our website.

KNB Co. reserves the right to revise product specifications without prior notice.



Specifications

kitchen & oth
LUXURY BATHROOM ACCESSORIES

Concealed Shower Mixer

DESCRIPTION

- Single-lever handle provides precise control of water flow and temperature.
- Durable ceramic disc valves exceed industry longevity standards, ensuring a lifetime of reliable performance.
- Complements the full series for a cohesive and unified bathroom design.
- Temperature adjustment controlled within a 25° arc of handle travel.
- Features clear hot and cold temperature indicators.
- Two functions for showerhead and hand shower, offering multiple purposes with an integrated diverter for seamless switching between tub and shower applications.
- Standard flow rate for showerhead: 2.5 GPM (9 L/min); optional low-flow rates (1.2 GPM / 1.6 GPM) for water-saving purposes.
- Standard flow rate for hand shower: 2.5 GPM (9 L/min); optional low-flow rates (1.2 GPM / 1.6 GPM) for water-saving purposes.
- Standard flow rate for bathtub spout: 3.2 GPM (12 L/min);

MATERIAL

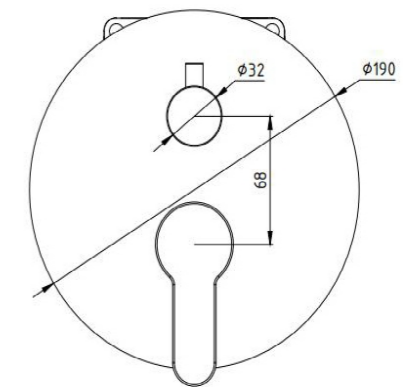
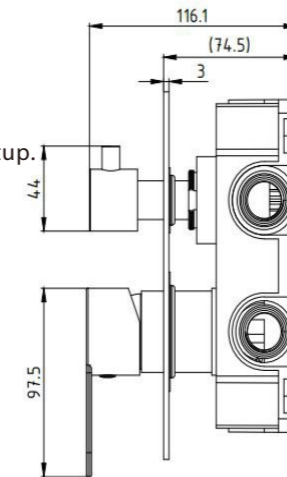
- Premium brass construction ensures durability and long-lasting performance.
- SUS chrome-plated wall cover for added protection and aesthetic appeal.
- Brass hand shower with a 1.5 m SUS304 shower hose.
- Brass water outlet elbow adaptor.
- High-quality surface finishes resist corrosion and tarnishing for a refined appearance.

INSTALLATION

- Designed for wall-mounted installation.
- Requires pre-buried concealed water pipes.
- Follow the installation instructions for proper setup.

AVAILABLE COLORS

- Chrome Polished
- PVD Nickel Brushed
- PVD Hairline Gun Grey
- Matte Black Plus
- PVD Gold Hairline



CRITICAL DIMENSIONS
(Do not scale drawings)



BA321-T

WARRANTY

- Lifetime limited warranty against leaks, drips, and finish defects for the original homeowner.
- Five-year limited warranty for commercial installations.

For detailed warranty information, please visit our website.

KNB Co. reserves the right to revise product specifications without prior notice.





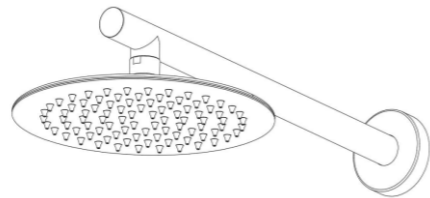
Specifications



Shower Head

DESCRIPTION

- Shower head specifically designed for shower columns, providing a luxurious and satisfying shower experience.
- Equipped with an anti-limescale system and easy-to-clean nozzles, ensuring lasting performance and optimal hygiene.
- Versatile design, suitable for use in hotels, spas, and home bathrooms.
- Offers simple, tool-free installation, making it convenient for users.



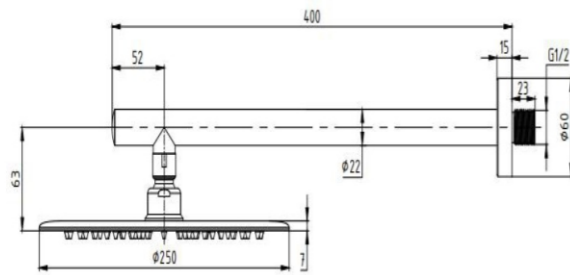
CGB018-1

MATERIAL

- Built from premium-grade main brass casting for exceptional durability and reliability.
- Features a polished mirror-effect finish, enhancing elegance and providing resistance against corrosion and tarnishing.
- Includes a brass shower arm for added sturdiness and seamless compatibility.

AVAILABLE COLORS

- Chrome Polished
- PVD Nickel Brushed
- PVD Hairline Gun Grey
- Matte Black Plus
- PVD Gold Hairline
- PVD Gold Glossy



CRITICAL DIMENSIONS
(Do not scale drawings)

WARRANTY

- Lifetime limited warranty against leaks, drips, and finish defects for the original homeowner.
- Five-year limited warranty for commercial installations.

For detailed warranty information, please visit our website.

KNB Co. reserves the right to revise product specifications without prior notice.



Specifications



Shower Head

DESCRIPTION

- Shower head specifically designed for shower columns, providing a luxurious and satisfying shower experience.
- Equipped with an anti-limescale system and easy-to-clean nozzles, ensuring lasting performance and optimal hygiene.
- Versatile design, suitable for use in hotels, spas, and home bathrooms.
- Offers simple, tool-free installation, making it convenient for users.



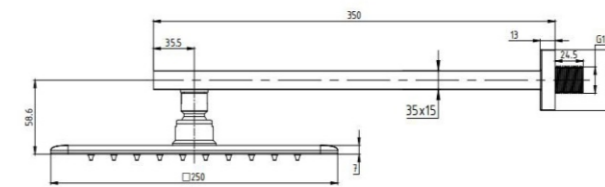
CGB073-2

MATERIAL

- Built from premium-grade main brass casting for exceptional durability and reliability.
- Features a polished mirror-effect finish, enhancing elegance and providing resistance against corrosion and tarnishing.
- Includes a brass shower arm for added sturdiness and seamless compatibility.

AVAILABLE COLORS

- Chrome Polished
- PVD Nickel Brushed
- PVD Hairline Gun Grey
- Matte Black Plus
- PVD Gold Hairline
- PVD Gold Glossy



CRITICAL DIMENSIONS
(Do not scale drawings)

WARRANTY

- Lifetime limited warranty against leaks, drips, and finish defects for the original homeowner.
- Five-year limited warranty for commercial installations.

For detailed warranty information, please visit our website.

KNB Co. reserves the right to revise product specifications without prior notice.





Specifications



Hand Shower

DESCRIPTION

- Hand shower with a single-function spray for a focused and enjoyable shower experience.
- Equipped with an anti-limescale system and easy-to-clean nozzles for effortless maintenance and long-lasting performance.
- Versatile design makes it ideal for use in hotels, spas, and home bathrooms.
- Simple, tool-free installation ensures convenience for users.

MATERIAL

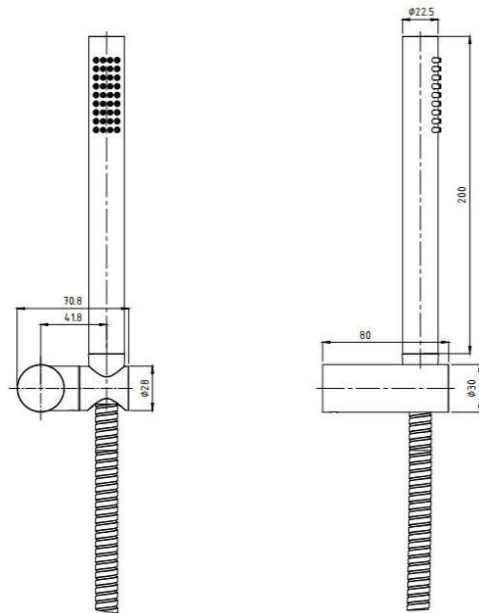
- Constructed from high-quality main brass casting for durability and reliability.
- Includes a robust brass shower holder for secure mounting.
- Polished mirror-effect finish enhances elegance and resists wear and tarnishing.

AVAILABLE COLORS

- Chrome Polished
- PVD Nickel Brushed
- PVD Hairline Gun Grey
- Matte Black Plus
- PVD Gold Hairline
- PVD Gold Glossy



CHT006



CRITICAL DIMENSIONS

(Do not scale drawings)

WARRANTY

- Lifetime limited warranty against leaks, drips, and finish defects for the original homeowner.
- Five-year limited warranty for commercial installations.

For detailed warranty information, please visit our website.

KNB Co. reserves the right to revise product specifications without prior notice.



Specifications



Hand Shower

DESCRIPTION

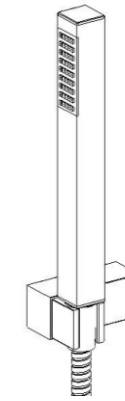
- Hand shower with a single-function spray for a focused and enjoyable shower experience.
- Equipped with an anti-limescale system and easy-to-clean nozzles for effortless maintenance and long-lasting performance.
- Versatile design makes it ideal for use in hotels, spas, and home bathrooms.
- Simple, tool-free installation ensures convenience for users.

MATERIAL

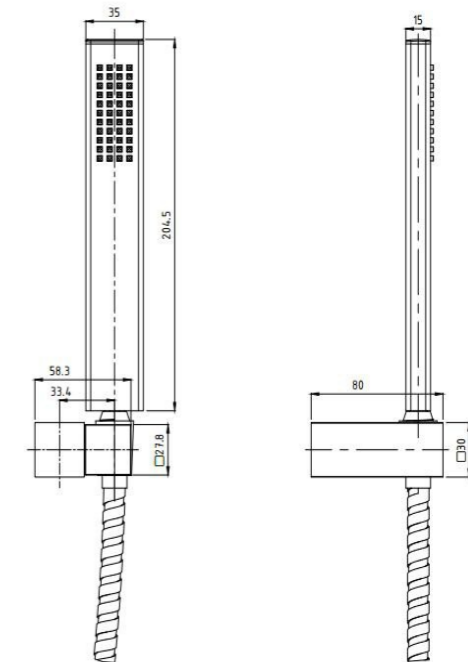
- Constructed from high-quality main brass casting for durability and reliability.
- Includes a robust brass shower holder for secure mounting.
- Polished mirror-effect finish enhances elegance and resists wear and tarnishing.

AVAILABLE COLORS

- Chrome Polished
- PVD Nickel Brushed
- PVD Hairline Gun Grey
- Matte Black Plus
- PVD Gold Hairline
- PVD Gold Glossy



BRA102



CRITICAL DIMENSIONS

(Do not scale drawings)

WARRANTY

- Lifetime limited warranty against leaks, drips, and finish defects for the original homeowner.
- Five-year limited warranty for commercial installations.

For detailed warranty information, please visit our website.

KNB Co. reserves the right to revise product specifications without prior notice.





Specifications



Concealed Shower Mixer

DESCRIPTION

- Single-lever handle provides precise control of water flow and temperature.
- Durable ceramic disc valves exceed industry longevity standards, ensuring a lifetime of reliable performance.
- Complements the full series for a cohesive and unified bathroom design.
- Temperature adjustment controlled within a 25° arc of handle travel.
- Features clear hot and cold temperature indicators.
- Two functions for showerhead and hand shower, offering multiple purposes with an integrated diverter for seamless switching between tub and shower applications.
- Standard flow rate for showerhead: 2.5 GPM (9 L/min); optional low-flow rates (1.2 GPM / 1.6 GPM) for water-saving purposes.
- Standard flow rate for hand shower: 2.5 GPM (9 L/min); optional low-flow rates (1.2 GPM / 1.6 GPM) for water-saving purposes.
- Standard flow rate for bathtub spout: 3.2 GPM (12 L/min);

MATERIAL

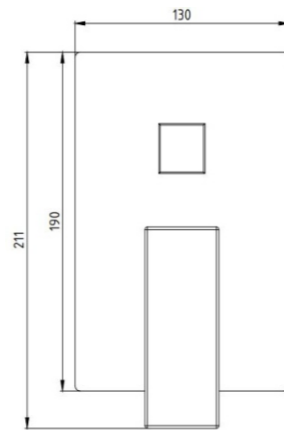
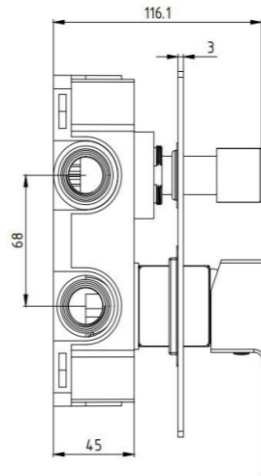
- Premium brass construction ensures durability and long-lasting performance.
- SUS chrome-plated wall cover for added protection and aesthetic appeal.
- Brass hand shower with a 1.5 m SUS304 shower hose.
- Brass water outlet elbow adaptor.
- High-quality surface finishes resist corrosion and tarnishing for a refined appearance.

INSTALLATION

- Designed for wall-mounted installation.
- Requires pre-buried concealed water pipes.
- Follow the installation instructions for proper setup.

AVAILABLE COLORS

- Chrome Polished
- PVD Nickel Brushed
- PVD Hairline Gun Grey
- Matte Black Plus
- PVD Gold Hairline
- PVD Gold Glossy



CRITICAL DIMENSIONS

(Do not scale drawings)



BA322T

WARRANTY

- Lifetime limited warranty against leaks, drips, and finish defects for the original homeowner.
- Five-year limited warranty for commercial installations.

For detailed warranty information, please visit our website.

KNB Co. reserves the right to revise product specifications without prior notice.



Specifications



Concealed Shower Mixer

DESCRIPTION

- Single-lever handle provides precise control of water flow and temperature.
- Durable ceramic disc valves exceed industry longevity standards, ensuring a lifetime of reliable performance.
- Complements the full series for a cohesive and unified bathroom design.
- Temperature adjustment controlled within a 25° arc of handle travel.
- Features clear hot and cold temperature indicators.
- Two functions for showerhead and hand shower, offering multiple purposes with an integrated diverter for seamless switching between tub and shower applications.
- Standard flow rate for showerhead: 2.5 GPM (9 L/min); optional low-flow rates (1.2 GPM / 1.6 GPM) for water-saving purposes.
- Standard flow rate for hand shower: 2.5 GPM (9 L/min); optional low-flow rates (1.2 GPM / 1.6 GPM) for water-saving purposes.
- Standard flow rate for bathtub spout: 3.2 GPM (12 L/min);

MATERIAL

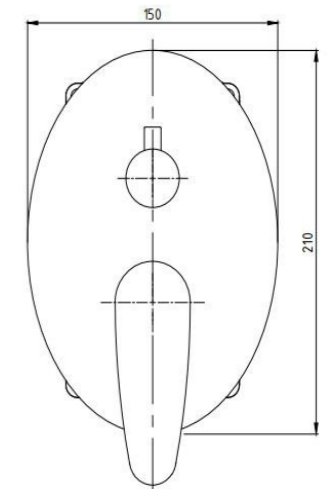
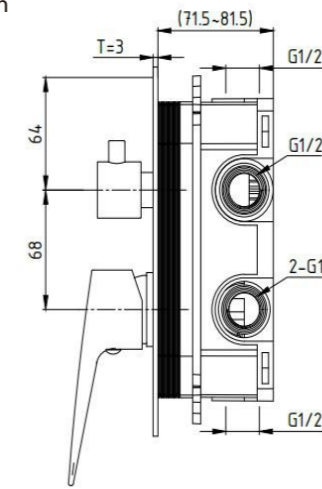
- Premium brass construction ensures durability and long-lasting performance.
- SUS chrome-plated wall cover for added protection and aesthetic appeal.
- Brass hand shower with a 1.5 m SUS304 shower hose.
- Brass water outlet elbow adaptor.
- High-quality surface finishes resist corrosion and tarnishing for a refined appearance.

INSTALLATION

- Designed for wall-mounted installation.
- Requires pre-buried concealed water pipes.
- Follow the installation instructions for proper setup.

AVAILABLE COLORS

- Chrome Polished
- PVD Nickel Brushed
- PVD Hairline Gun Grey
- Matte Black Plus
- PVD Gold Hairline
- PVD Gold Glossy



CRITICAL DIMENSIONS

(Do not scale drawings)



BA326T

WARRANTY

- Lifetime limited warranty against leaks, drips, and finish defects for the original homeowner.
- Five-year limited warranty for commercial installations.

For detailed warranty information, please visit our website.

KNB Co. reserves the right to revise product specifications without prior notice.





Specifications

kitchen & oth
LUXURY BATHROOM ACCESSORIES

Shower Accessories

DESCRIPTION

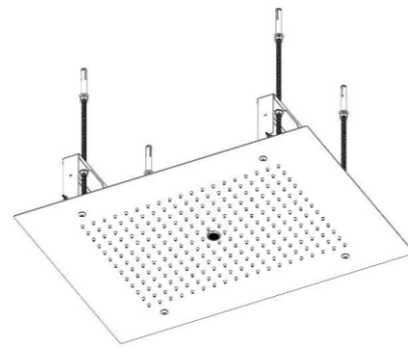
- Functions: Features Rainfall and Water Column modes for a luxurious and relaxing shower experience.
- Size: 600mm x 430mm, providing ample coverage for a full-body shower.
- Thread: G1/2 female screw thread for compatibility with standard connections.
- Shape: Sleek square design, blending functionality with modern aesthetics.

ADVANTAGE

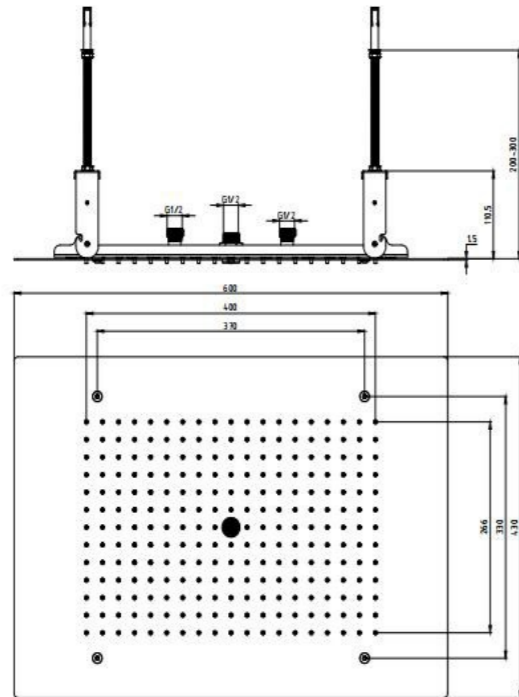
- Water Efficiency: Saves 20% more water while delivering a consistent, powerful rain shower even under low water pressure.
- Installation: Wall-mounted design with G1/2 connection thread for quick and tool-free installation, fitting any standard shower arm.
- Touch-Clean Nozzle: Equipped with touch-clean nozzles, allowing easy removal of lime and mineral buildup for maintenance-free operation.

AVAILABLE COLORS

- Chrome Polished
- PVD Nickel Brushed
- PVD Hairline Gun Grey
- Matte Black Plus
- PVD Gold Hairline
- PVD Gold Glossy



MODEL: SSW242



CRITICAL DIMENSIONS

(Do not scale drawings)

WARRANTY

- Lifetime limited warranty against leaks, drips, and finish defects for the original homeowner.
- Five-year limited warranty for commercial installations.

For detailed warranty information, please visit our website.

KNB Co. reserves the right to revise product specifications without prior notice.



Specifications

kitchen & oth
LUXURY BATHROOM ACCESSORIES

Bathtub Mixer Set

DESCRIPTION

- Telescopic Chrome Shower Column: Adjustable design for customized shower height and comfort.
- Durable Ceramic Disc Valves: Ensures long-lasting performance, surpassing industry standards.
- Flow Rates:
 - Shower Head: 3.2gpm (9-12L/min)
 - Hand Shower: 2.3gpm (6-9L/min)
- Water-Saving Options: Optional 1.2gpm/1.6gpm for hand shower and shower head.
- Dual Functionality: Integrated switch for seamless transition between hand shower and shower head.
- Convenience: Comes with a 1.5m SUS304 shower hose and temperature indicator marks for hot and cold water.

MATERIAL

- Main Brass Construction: Ensures durability and reliability.
- Zinc Handle Casting: Provides ergonomic control.
- ABS Shower Holder: Lightweight and sturdy.
- Metal Shower Head: Designed for a premium look and feel.
- SUS304 Shower Column: Resistant to corrosion and tarnishing.
- Brass Hand Shower: Offers a luxurious showering experience.
- Premium Finishes: Durable surface treatments resist corrosion and maintain a polished appearance over time.

INSTALLATION

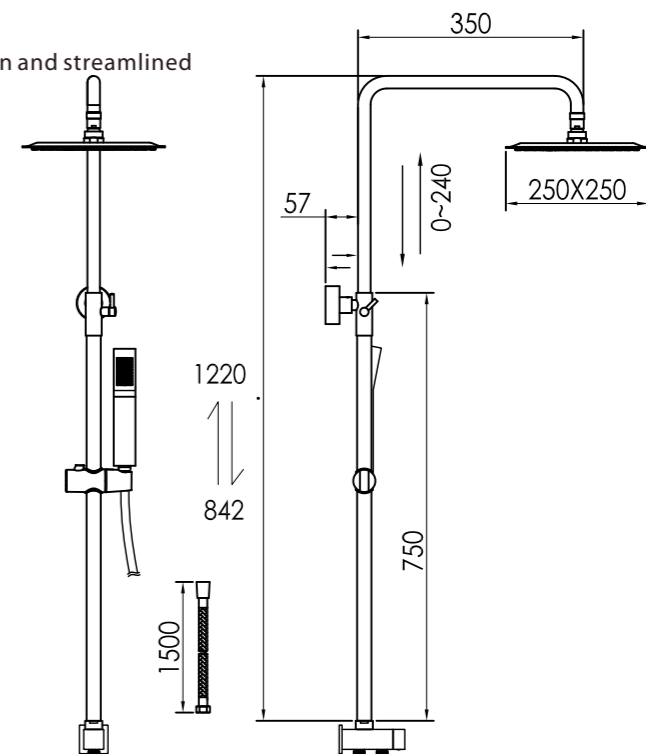
- Designed for wall mounting, ensuring a clean and streamlined appearance.

AVAILABLE COLORS

- Chrome Polished
- PVD Nickel Brushed
- PVD Hairline Gun Grey
- Matte Black Plus
- PVD Gold Hairline
- PVD Gold Glossy

CRITICAL DIMENSIONS

(Do not scale drawings)



AL-0512

WARRANTY

- Lifetime limited warranty against leaks, drips, and finish defects for the original homeowner.
- Five-year limited warranty for commercial installations.

For detailed warranty information, please visit our website.

KNB Co. reserves the right to revise product specifications without prior notice.





Specifications

kitchen & oth
LUXURY BATHROOM ACCESSORIES

Concealed Shower Mixer

DESCRIPTION

- Single-lever handle allows precise control of water volume and temperature.
- Durable ceramic disc valves exceed industry standards, ensuring reliable, long-lasting performance.
- Harmonizes with the full product series to create a cohesive bathroom design.
- Standard flow rate: 2.5 gpm (9 L/min) at 60 psi (4.1 bar).
- Optional low-flow settings (1.2 gpm / 1.6 gpm) available for water conservation.
- Temperature adjustment is achieved through a 25° arc of handle travel.
- Features a hot and cold temperature indicator for user convenience.
- Designed specifically for single-function shower use.

MATERIAL

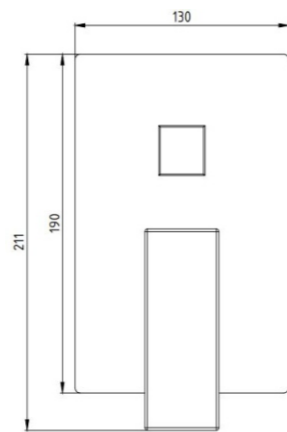
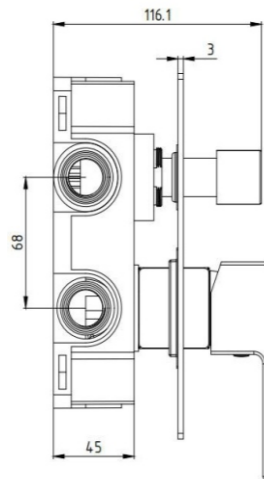
- High-quality brass construction ensures durability and performance.
- SUS chrome-plated wall cover provides enhanced resistance to tarnishing and corrosion.
- Premium surface finishes deliver long-lasting protection and a polished appearance.

INSTALLATION

- Designed for wall-mounted installation.
- Requires pre-buried concealed water pipes for proper setup.
- Follow the detailed installation instructions provided for seamless assembly.

AVAILABLE COLORS

- Chrome Polished
- PVD Nickel Brushed
- PVD Hairline Gun Grey
- Matte Black Plus
- PVD Gold Hairline
- PVD Gold Glossy



CRITICAL DIMENSIONS

(Do not scale drawings)



BA222T

WARRANTY

- Lifetime limited warranty against leaks, drips, and finish defects for the original homeowner.
- Five-year limited warranty for commercial installations.

For detailed warranty information, please visit our website.

KNB Co. reserves the right to revise product specifications without prior notice.



Specifications

kitchen & oth
LUXURY BATHROOM ACCESSORIES

Concealed Shower Mixer

DESCRIPTION

- Single-lever handle allows precise control of water volume and temperature.
- Durable ceramic disc valves exceed industry standards, ensuring reliable, long-lasting performance.
- Harmonizes with the full product series to create a cohesive bathroom design.
- Standard flow rate: 2.5 gpm (9 L/min) at 60 psi (4.1 bar).
- Optional low-flow settings (1.2 gpm / 1.6 gpm) available for water conservation.
- Temperature adjustment is achieved through a 25° arc of handle travel.
- Features a hot and cold temperature indicator for user convenience.
- Designed specifically for single-function shower use.

MATERIAL

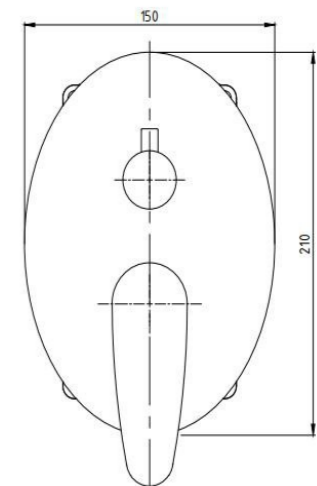
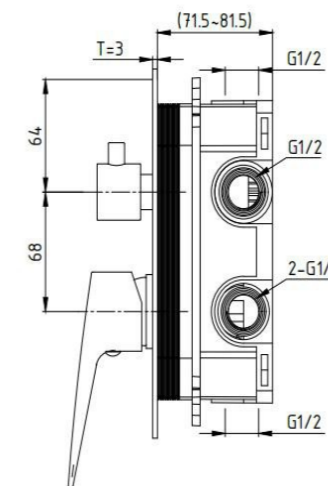
- High-quality brass construction ensures durability and performance.
- SUS chrome-plated wall cover provides enhanced resistance to tarnishing and corrosion.
- Premium surface finishes deliver long-lasting protection and a polished appearance.

INSTALLATION

- Designed for wall-mounted installation.
- Requires pre-buried concealed water pipes for proper setup.
- Follow the detailed installation instructions provided for seamless assembly.

AVAILABLE COLORS

- Chrome Polished
- PVD Nickel Brushed
- PVD Hairline Gun Grey
- Matte Black Plus
- PVD Gold Hairline
- PVD Gold Glossy



CRITICAL DIMENSIONS

(Do not scale drawings)



BA226T

WARRANTY

- Lifetime limited warranty against leaks, drips, and finish defects for the original homeowner.
- Five-year limited warranty for commercial installations.

For detailed warranty information, please visit our website.

KNB Co. reserves the right to revise product specifications without prior notice.





Specifications

kitchen & oth
LUXURY BATHROOM ACCESSORIES

Toilet

DESCRIPTION

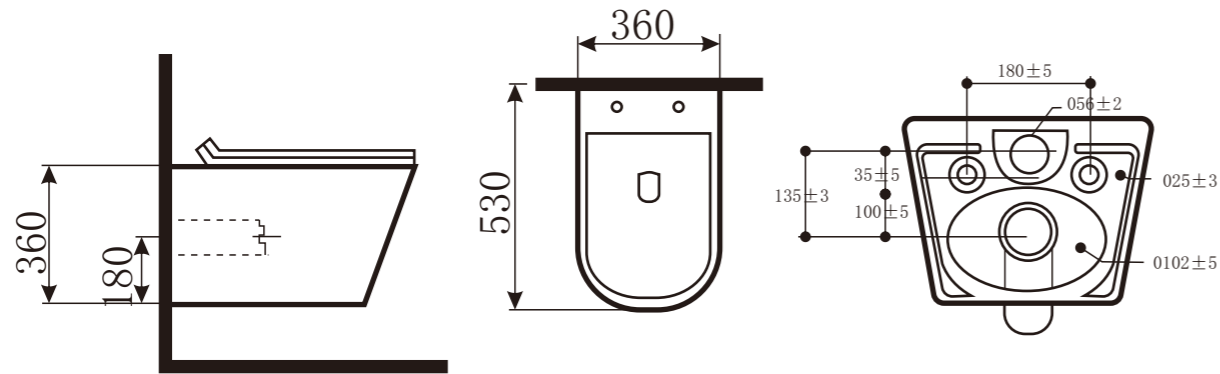
- RIMLESS Wall Hung Toilet: Sleek, modern design ensuring superior hygiene with easy cleaning and reduced bacteria buildup.
- P-Trap: 180mm roughing-in for efficient waste disposal and plumbing compatibility.
- UF Slow Close Seat Cover: Soft-closing mechanism prevents slamming, providing a quiet and user-friendly experience.
- Fixing Screw: Secure and durable installation for long-term reliability.

AVAILABLE COLORS

- White / Light Grey / Matt
- Black/Gun Metal



620MG-LIGHT GREY



CRITICAL DIMENSIONS
(Do not scale drawings)

WARRANTY

- Lifetime limited warranty against leaks, drips, and finish defects for the original homeowner.
- Five-year limited warranty for commercial installations.

For detailed warranty information, please visit our website.

KNB Co. reserves the right to revise product specifications without prior notice.



Specifications

kitchen & oth
LUXURY BATHROOM ACCESSORIES

Toilet

DESCRIPTION

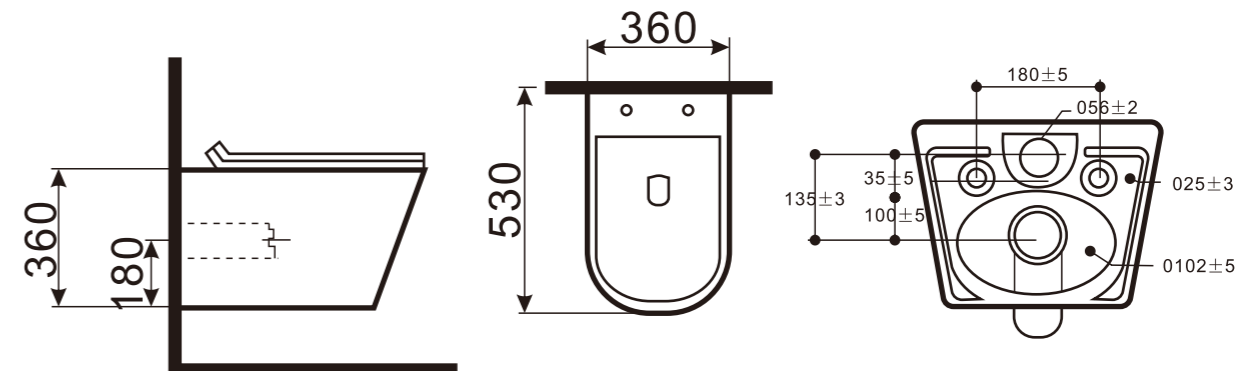
- RIMLESS Wall Hung Toilet: Sleek, modern design ensuring superior hygiene with easy cleaning and reduced bacteria buildup.
- P-Trap: 180mm roughing-in for efficient waste disposal and plumbing compatibility.
- UF Slow Close Seat Cover: Soft-closing mechanism prevents slamming, providing a quiet and user-friendly experience.
- Fixing Screw: Secure and durable installation for long-term reliability.

AVAILABLE COLORS

- White / Light Grey / Matt
- Black/Gun Metal



620



CRITICAL DIMENSIONS
(Do not scale drawings)

WARRANTY

- Lifetime limited warranty against leaks, drips, and finish defects for the original homeowner.
- Five-year limited warranty for commercial installations.

For detailed warranty information, please visit our website.

KNB Co. reserves the right to revise product specifications without prior notice.





Specifications

kitchen & oth
LUXURY BATHROOM ACCESSORIES

Toilet

DESCRIPTION

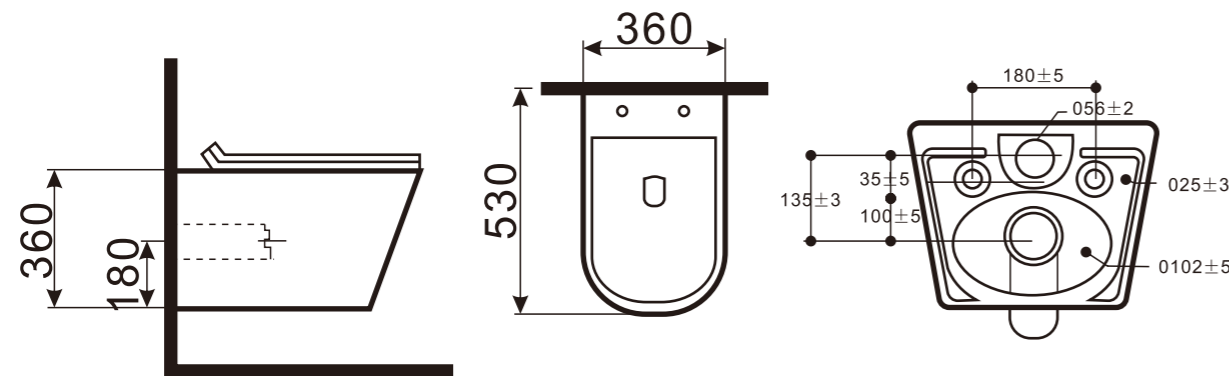
- RIMLESS Wall Hung Toilet: Advanced rimless design enhances hygiene by preventing dirt and bacteria buildup, making cleaning more efficient.
- P-Trap: 180mm roughing-in ensures seamless compatibility with standard plumbing systems.
- UF Slow Close Seat Cover: Durable, ultra-slim, and equipped with a slow-closing mechanism for quiet and smooth operation.
- Fixing Screw: High-quality hardware included for secure and stable installation.

AVAILABLE COLORS

- White / Light Grey / Matt
- Black/Gun Metal



620GM-GUN MTETAL



CRITICAL DIMENSIONS

(Do not scale drawings)

WARRANTY

- Lifetime limited warranty against leaks, drips, and finish defects for the original homeowner.
- Five-year limited warranty for commercial installations.

For detailed warranty information, please visit our website.

KNB Co. reserves the right to revise product specifications without prior notice.



Specifications

kitchen & oth
LUXURY BATHROOM ACCESSORIES

Toilet

DESCRIPTION

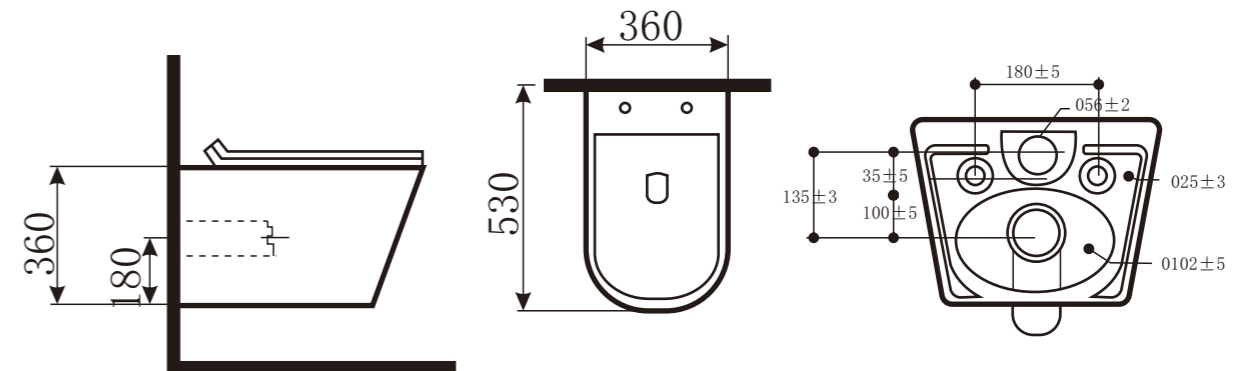
- RIMLESS Wall Hung Toilet: Advanced rimless design enhances hygiene by preventing dirt and bacteria buildup, making cleaning more efficient.
- P-Trap: 180mm roughing-in ensures seamless compatibility with standard plumbing systems.
- UF Slow Close Seat Cover: Durable, ultra-slim, and equipped with a slow-closing mechanism for quiet and smooth operation.
- Fixing Screw: High-quality hardware included for secure and stable installation.

AVAILABLE COLORS

- White / Light Grey / Matt
- Black/Gun Metal



MODEL: 620MB



CRITICAL DIMENSIONS

(Do not scale drawings)

WARRANTY

- Lifetime limited warranty against leaks, drips, and finish defects for the original homeowner.
- Five-year limited warranty for commercial installations.

For detailed warranty information, please visit our website.

KNB Co. reserves the right to revise product specifications without prior notice.





Specifications

kitchen & oth
LUXURY BATHROOM ACCESSORIES

Toilet

DESCRIPTION

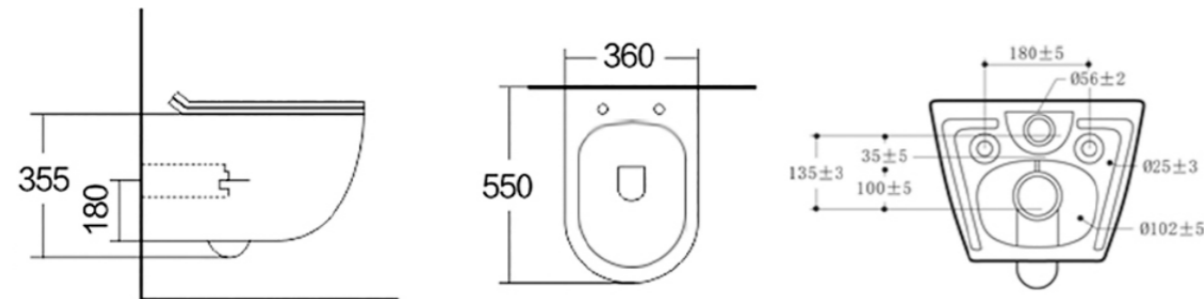
- Tornado System Wall Hung Toilet: Advanced design enhances hygiene by preventing dirt and bacteria buildup, making cleaning more efficient.
- P-Trap: 180mm roughing-in ensures seamless compatibility with standard plumbing systems.
- UF Slow Close Seat Cover: Durable, ultra-slim, and equipped with a slow-closing mechanism for quiet and smooth operation.
- Fixing Screw: High-quality hardware included for secure and stable installation.

AVAILABLE COLORS

- White / Black Matt



634-MATT BLACK



CRITICAL DIMENSIONS

(Do not scale drawings)

WARRANTY

- Lifetime limited warranty against leaks, drips, and finish defects for the original homeowner.
- Five-year limited warranty for commercial installations.

For detailed warranty information, please visit our website.

KNB Co. reserves the right to revise product specifications without prior notice.



Specifications

kitchen & oth
LUXURY BATHROOM ACCESSORIES

Toilet

DESCRIPTION

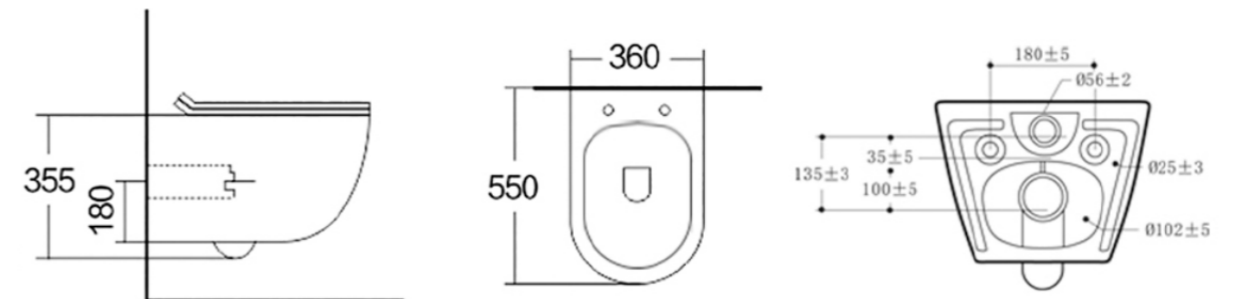
- Tornado System Wall Hung Toilet: Advanced design enhances hygiene by preventing dirt and bacteria buildup, making cleaning more efficient.
- P-Trap: 180mm roughing-in ensures seamless compatibility with standard plumbing systems.
- UF Slow Close Seat Cover: Durable, ultra-slim, and equipped with a slow-closing mechanism for quiet and smooth operation.
- Fixing Screw: High-quality hardware included for secure and stable installation.

AVAILABLE COLORS

- White / Light Grey / Matt
- Black/Gun Metal



620



CRITICAL DIMENSIONS

(Do not scale drawings)

WARRANTY

- Lifetime limited warranty against leaks, drips, and finish defects for the original homeowner.
- Five-year limited warranty for commercial installations.

For detailed warranty information, please visit our website.

KNB Co. reserves the right to revise product specifications without prior notice.





Specifications

kitchen & oth
LUXURY BATHROOM ACCESSORIES

Toilet

DESCRIPTION

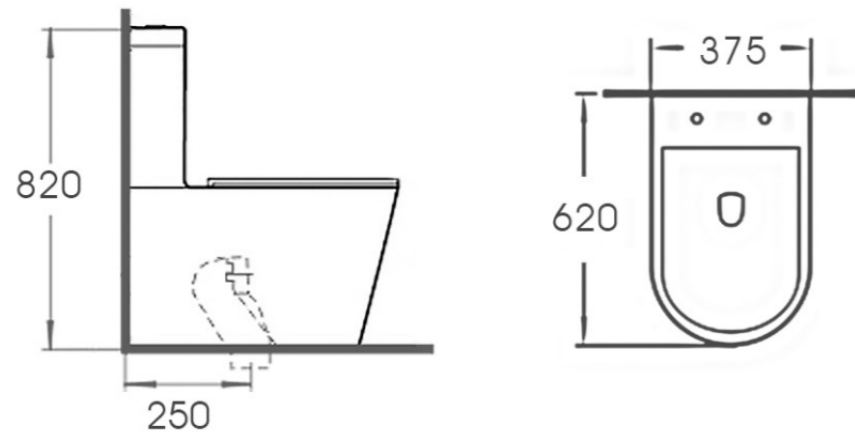
- RIMLESS One-Piece Toilet: A sleek, modern design with a rimless bowl for improved hygiene and easy cleaning.
- S-Trap: 250mm roughing-in ensures compatibility with standard floor-mounted plumbing systems.
- UF Slow-Down Seat Cover: Durable and equipped with a soft-closing mechanism for quiet and smooth operation.
- Dual Flushing Water Fitting: Offers efficient water usage with options for full and partial flushes, promoting sustainability.
- With Converter: Includes a converter for enhanced adaptability to various plumbing setups.

AVAILABLE COLORS

- White



655



CRITICAL DIMENSIONS

(Do not scale drawings)

WARRANTY

- Lifetime limited warranty against leaks, drips, and finish defects for the original homeowner.
- Five-year limited warranty for commercial installations.

For detailed warranty information, please visit our website.

KNB Co. reserves the right to revise product specifications without prior notice.



Specifications

kitchen & oth
LUXURY BATHROOM ACCESSORIES

Toilet

DESCRIPTION

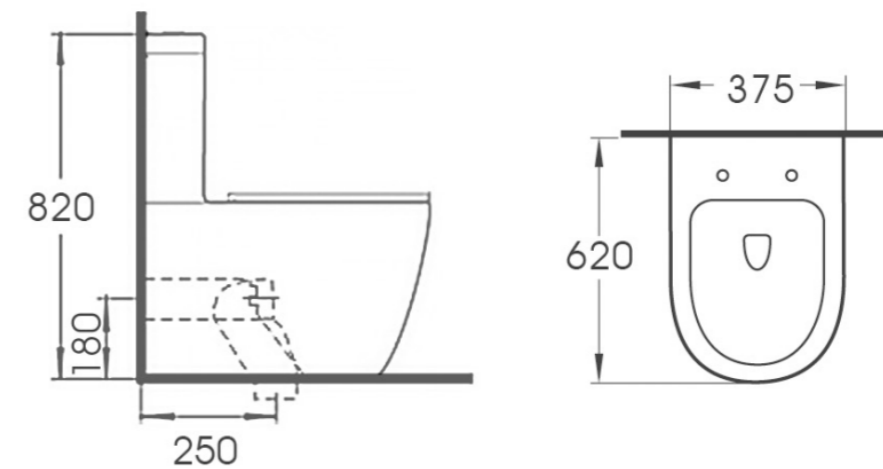
- RIMLESS One-Piece Toilet: A sleek, modern design with a rimless bowl for improved hygiene and easy cleaning.
- S-Trap: 250mm roughing-in ensures compatibility with standard floor-mounted plumbing systems.
- UF Slow-Down Seat Cover: Durable and equipped with a soft-closing mechanism for quiet and smooth operation.
- Dual Flushing Water Fitting: Offers efficient water usage with options for full and partial flushes, promoting sustainability.
- With Converter: Includes a converter for enhanced adaptability to various plumbing setups.

AVAILABLE COLORS

- White / Light Grey / Black Matt



657MB



CRITICAL DIMENSIONS

(Do not scale drawings)

WARRANTY

- Lifetime limited warranty against leaks, drips, and finish defects for the original homeowner.
- Five-year limited warranty for commercial installations.

For detailed warranty information, please visit our website.

KNB Co. reserves the right to revise product specifications without prior notice.





Specifications

kitchen & oth
LUXURY BATHROOM ACCESSORIES

Toilet

DESCRIPTION

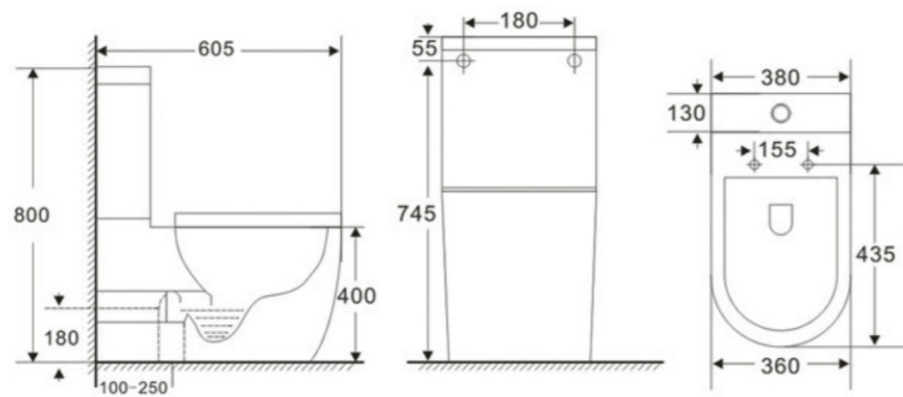
- RIMLESS One-Piece Toilet: A sleek, modern design with a rimless bowl for improved hygiene and easy cleaning.
- S-Trap: 250mm roughing-in ensures compatibility with standard floor-mounted plumbing systems.
- UF Slow-Down Seat Cover: Durable and equipped with a soft-closing mechanism for quiet and smooth operation.
- Dual Flushing Water Fitting: Offers efficient water usage with options for full and partial flushes, promoting sustainability.
- With Converter: Includes a converter for enhanced adaptability to various plumbing setups.

AVAILABLE COLORS

- White / Black Matt



641



CRITICAL DIMENSIONS

(Do not scale drawings)

WARRANTY

- Lifetime limited warranty against leaks, drips, and finish defects for the original homeowner.
- Five-year limited warranty for commercial installations.

For detailed warranty information, please visit our website.

KNB Co. reserves the right to revise product specifications without prior notice.



Specifications

kitchen & oth
LUXURY BATHROOM ACCESSORIES

Toilet

DESCRIPTION

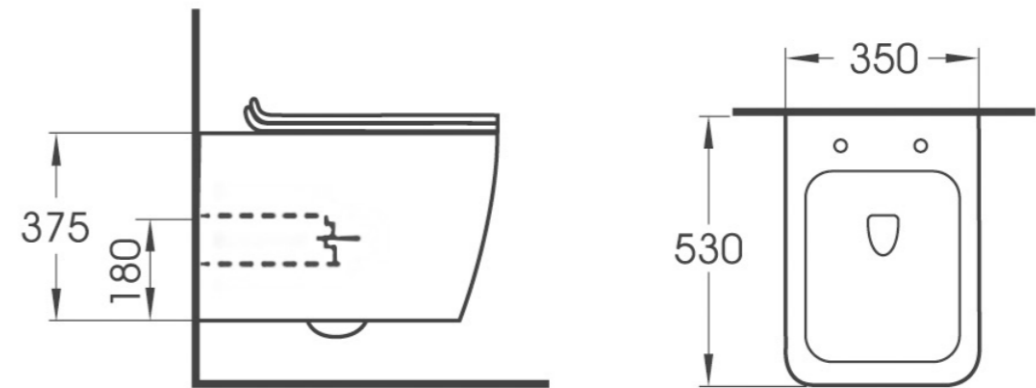
- RIMLESS Wall Hung Toilet: Advanced rimless design enhances hygiene by preventing dirt and bacteria buildup, making cleaning more efficient.
- P-Trap: 180mm roughing-in ensures seamless compatibility with standard plumbing systems.
- UF Slow Close Seat Cover: Durable, ultra-slim, and equipped with a slow-closing mechanism for quiet and smooth operation.
- Fixing Screw: High-quality hardware included for secure and stable installation.

AVAILABLE COLORS

- White / Light Grey / Black Matt



640MB



CRITICAL DIMENSIONS

(Do not scale drawings)

WARRANTY

- Lifetime limited warranty against leaks, drips, and finish defects for the original homeowner.
- Five-year limited warranty for commercial installations.

For detailed warranty information, please visit our website.

KNB Co. reserves the right to revise product specifications without prior notice.





Specifications

kitchen & oth
LUXURY BATHROOM ACCESSORIES

Toilet

DESCRIPTION

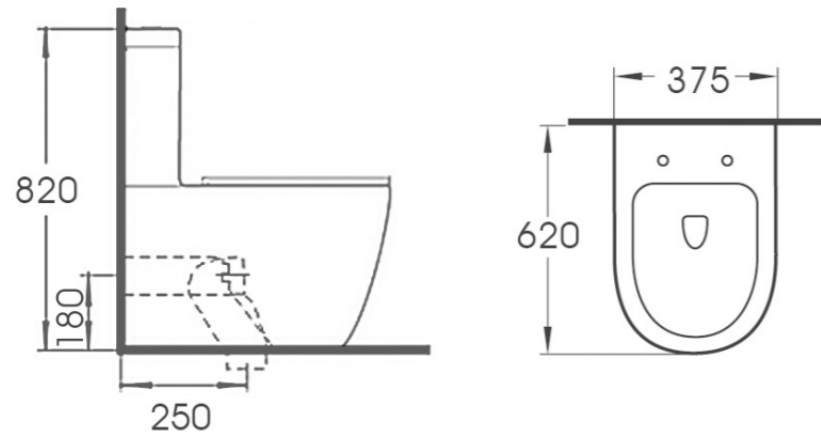
- RIMLESS One-Piece Toilet: A sleek, modern design with a rimless bowl for improved hygiene and easy cleaning.
- S-Trap: 250mm roughing-in ensures compatibility with standard floor-mounted plumbing systems.
- UF Slow-Down Seat Cover: Durable and equipped with a soft-closing mechanism for quiet and smooth operation.
- Dual Flushing Water Fitting: Offers efficient water usage with options for full and partial flushes, promoting sustainability.
- With Converter: Includes a converter for enhanced adaptability to various plumbing setups.

AVAILABLE COLORS

- White



657-MG-LIGHT GREY



CRITICAL DIMENSIONS

(Do not scale drawings)

WARRANTY

- Lifetime limited warranty against leaks, drips, and finish defects for the original homeowner.
- Five-year limited warranty for commercial installations.

For detailed warranty information, please visit our website.

KNB Co. reserves the right to revise product specifications without prior notice.



Specifications

kitchen & oth
LUXURY BATHROOM ACCESSORIES

Toilet

DESCRIPTION

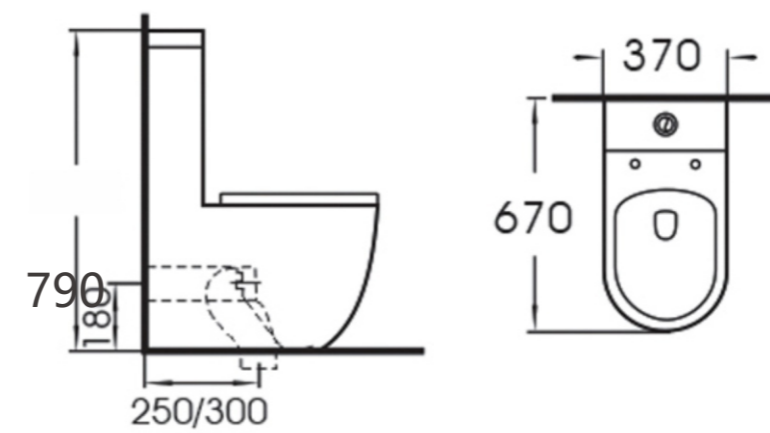
- RIMLESS One-Piece Toilet: A sleek, modern design with a rimless bowl for improved hygiene and easy cleaning.
- S-Trap: 250mm roughing-in ensures compatibility with standard floor-mounted plumbing systems.
- UF Slow-Down Seat Cover: Durable and equipped with a soft-closing mechanism for quiet and smooth operation.
- Dual Flushing Water Fitting: Offers efficient water usage with options for full and partial flushes, promoting sustainability.
- With Converter: Includes a converter for enhanced adaptability to various plumbing setups.

AVAILABLE COLORS

- WHITE/MATT BLACK



Ub8626



CRITICAL DIMENSIONS

(Do not scale drawings)

WARRANTY

- Lifetime limited warranty against leaks, drips, and finish defects for the original homeowner.
- Five-year limited warranty for commercial installations.

For detailed warranty information, please visit our website.

KNB Co. reserves the right to revise product specifications without prior notice.





Specifications

kitchen & oth
LUXURY BATHROOM ACCESSORIES

Toilet

DESCRIPTION

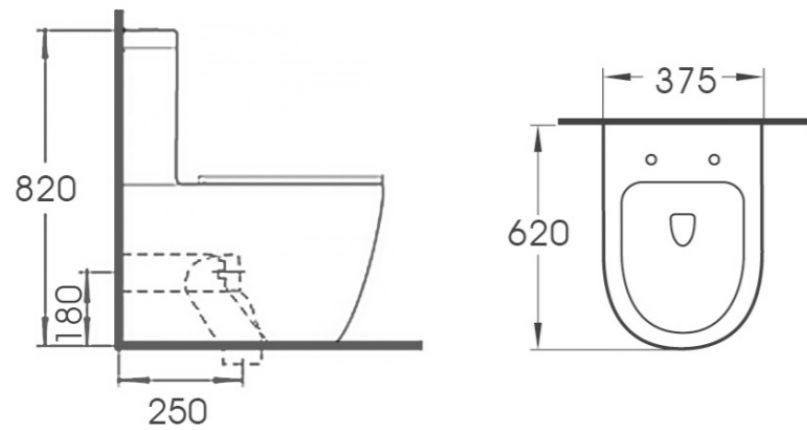
- RIMLESS One-Piece Toilet: A sleek, modern design with a rimless bowl for improved hygiene and easy cleaning.
- S-Trap: 250mm roughing-in ensures compatibility with standard floor-mounted plumbing systems.
- UF Slow-Down Seat Cover: Durable and equipped with a soft-closing mechanism for quiet and smooth operation.
- Dual Flushing Water Fitting: Offers efficient water usage with options for full and partial flushes, promoting sustainability.
- With Converter: Includes a converter for enhanced adaptability to various plumbing setups.

AVAILABLE COLORS

- White / Light Grey /Black Matt



657



CRITICAL DIMENSIONS

(Do not scale drawings)

WARRANTY

- Lifetime limited warranty against leaks, drips, and finish defects for the original homeowner.
- Five-year limited warranty for commercial installations.

For detailed warranty information, please visit our website.

KNB Co. reserves the right to revise product specifications without prior notice.



Specifications

kitchen & oth
LUXURY BATHROOM ACCESSORIES

Toilet

DESCRIPTION

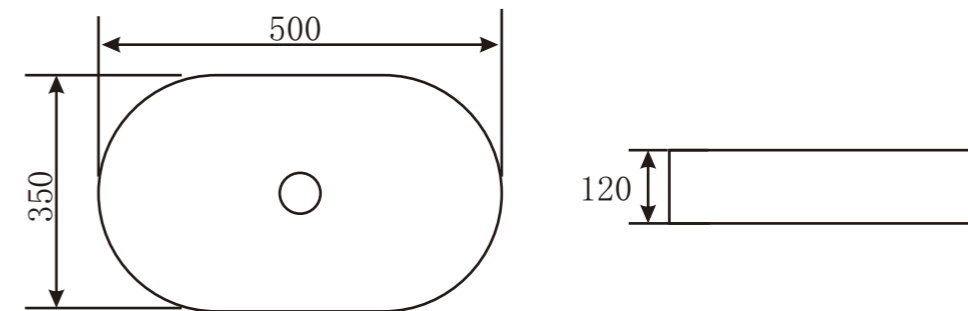
- Modern Design: Stylish and contemporary, seamlessly complements modern bathroom interiors.
- Matte Color Finish: Features a smooth, non-glossy surface for a sophisticated and elegant look.
- Designed for easy installation on countertops, providing a sleek and functional centerpiece for any bathroom.

AVAILABLE COLORS

- White
- Light Grey
- Matte Black
- Gun Metal



8800GM-GUN METAL



CRITICAL DIMENSIONS

(Do not scale drawings)

WARRANTY

- Lifetime limited warranty against leaks, drips, and finish defects for the original homeowner.
- Five-year limited warranty for commercial installations.

For detailed warranty information, please visit our website.

KNB Co. reserves the right to revise product specifications without prior notice.





Specifications

kitchen & oth
LUXURY BATHROOM ACCESSORIES

Bidet Mixer c/w Jet Sprayer

DESCRIPTION

- Bidet Cleaning Function: Designed for efficient and hygienic cleaning.
- Durable Construction: Made with high-quality brass for long-lasting performance and resistance to corrosion.
- Flexible Hose: Includes a 1.2m flexible hose for extended reach and ease of use.
- Compact Design: 100mm distance for water supply connection ensures compatibility with most setups.

OPERATION

- Single Lever Handle: Easy control for both water flow and temperature.
- Auto Return Feature: Handle returns to the neutral position when the valve is turned off.
- Hot & Cold Indicators: Clearly marked for intuitive temperature adjustment.

FLOW

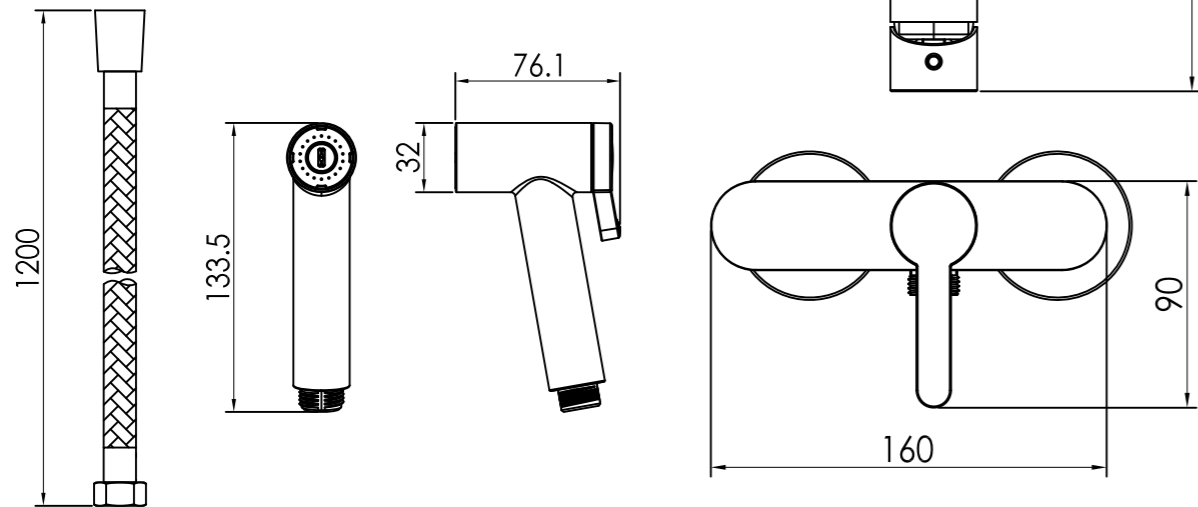
- Water Efficiency: Flow limited to 3.0 gpm (9-12 L/min) at 60 psi, ensuring optimal water usage.

CARTRIDGE

- Ceramic Disc Cartridge: Ensures smooth operation and longevity, suitable for single-handle faucets.

AVAILABLE COLORS

- Chrome plated
- PVD Nickel Brushed
- PVD Hairline Gun Metal
- Metal Black Matte
- PVD Gold Hairline
- PVD Gold Glossy



CRITICAL DIMENSIONS

(Do not scale drawings)



AL-3712F1

WARRANTY

- Lifetime limited warranty against leaks, drips, and finish defects for the original homeowner.
- Five-year limited warranty for commercial installations.

For detailed warranty information, please visit our website.

KNB Co. reserves the right to revise product specifications without prior notice.



Specifications

kitchen & oth
LUXURY BATHROOM ACCESSORIES

Bidet Mixer c/w Jet Sprayer

DESCRIPTION

- Bidet Cleaning Function: Designed for efficient and hygienic cleaning.
- Durable Construction: Made with high-quality brass for long-lasting performance and resistance to corrosion.
- Flexible Hose: Includes a 1.2m flexible hose for extended reach and ease of use.
- Compact Design: 100mm distance for water supply connection ensures compatibility with most setups.

OPERATION

- Single Lever Handle: Easy control for both water flow and temperature.
- Auto Return Feature: Handle returns to the neutral position when the valve is turned off.
- Hot & Cold Indicators: Clearly marked for intuitive temperature adjustment.

FLOW

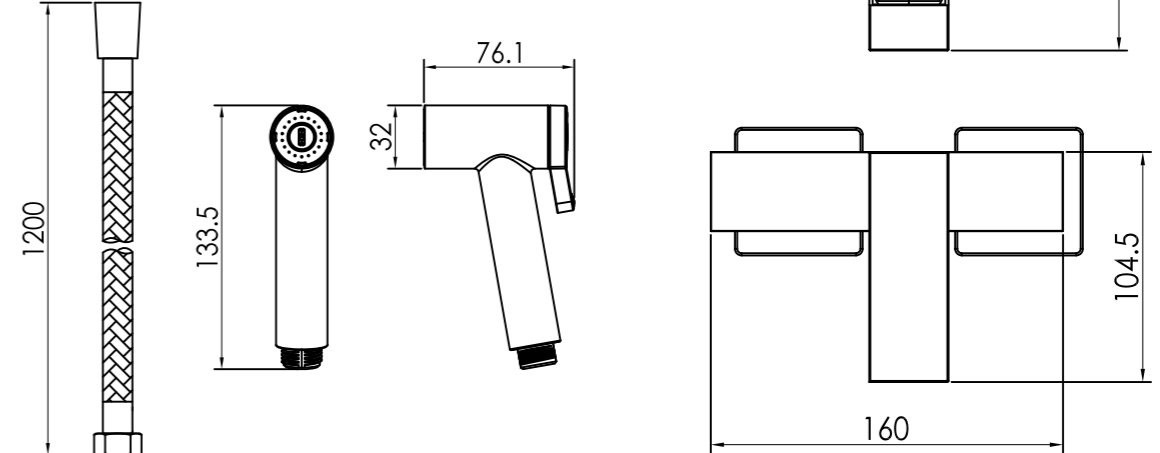
- Water Efficiency: Flow limited to 3.0 gpm (9-12 L/min) at 60 psi, ensuring optimal water usage.

CARTRIDGE

- Ceramic Disc Cartridge: Ensures smooth operation and longevity, suitable for single-handle faucets.

AVAILABLE COLORS

- Chrome plated
- PVD Nickel Brushed
- PVD Hairline Gun Metal
- Metal Black Matte
- PVD Gold Hairline
- PVD Gold Glossy



CRITICAL DIMENSIONS

(Do not scale drawings)



MODEL: AL-8412F1

WARRANTY

- Lifetime limited warranty against leaks, drips, and finish defects for the original homeowner.
- Five-year limited warranty for commercial installations.

For detailed warranty information, please visit our website.

KNB Co. reserves the right to revise product specifications without prior notice.





Specifications

kitchen & oth
LUXURY BATHROOM ACCESSORIES

Bidet Mixer c/w Jet Sprayer

DESCRIPTION

- Stainless Steel Hand Sprayer
- 1.2M Flexible hose included
- Comfortable to hold and use
- Built to last with high-quality materials
- Easy DIY setup for any toilet fixture
- its sleek design, ease of use, and reliable performance

OPERATION

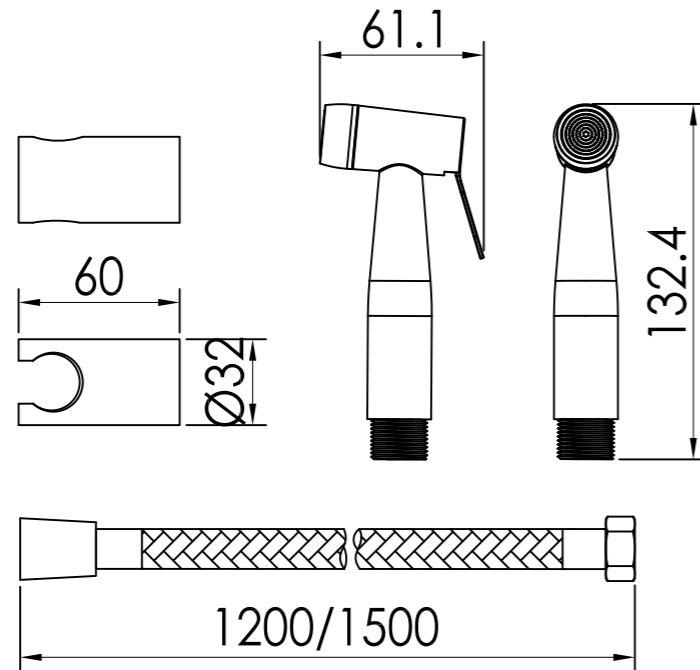
- Single lever handle type
- Adjustable Water Pressure: The all-metal T-valve with a brass core allows full control over water pressure, giving you the option to adjust the spray to your preference.

AVAILABLE COLORS

- Chrome plated
- PVD Nickel Brushed
- PVD Hairline Gun Metal
- Metal Black Matte
- PVD Gold Hairline
- PVD Gold Glossy



AL-8100F1



CRITICAL DIMENSIONS

(Do not scale drawings)

WARRANTY

- Lifetime limited warranty against leaks, drips, and finish defects for the original homeowner.
- Five-year limited warranty for commercial installations.

For detailed warranty information, please visit our website.

KNB Co. reserves the right to revise product specifications without prior notice.



Specifications

kitchen & oth
LUXURY BATHROOM ACCESSORIES

Bidet Mixer c/w Jet Sprayer

DESCRIPTION

- Stainless Steel Hand Sprayer
- 1.2M Flexible hose included
- Comfortable to hold and use
- Built to last with high-quality materials
- Easy DIY setup for any toilet fixture
- its sleek design, ease of use, and reliable performance

OPERATION

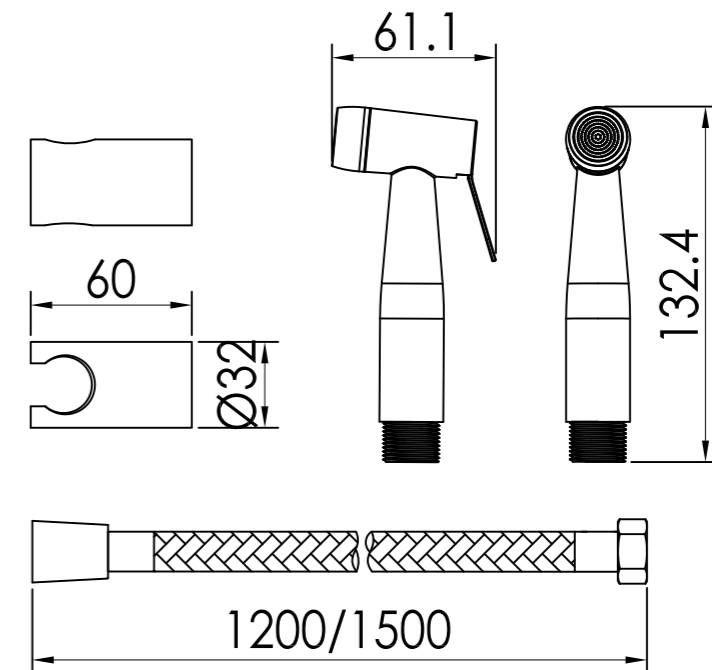
- Single lever handle type
- Adjustable Water Pressure: The all-metal T-valve with a brass core allows full control over water pressure, giving you the option to adjust the spray to your preference.

AVAILABLE COLORS

- Chrome plated
- PVD Nickel Brushed
- PVD Hairline Gun Metal
- Metal Black Matte
- PVD Gold Hairline
- PVD Gold Glossy



AL-8300F1



CRITICAL DIMENSIONS

(Do not scale drawings)

WARRANTY

- Lifetime limited warranty against leaks, drips, and finish defects for the original homeowner.
- Five-year limited warranty for commercial installations.

For detailed warranty information, please visit our website.

KNB Co. reserves the right to revise product specifications without prior notice.



LUXURY AND SOPHISTICATION

RE-ELEVATE BATHROOM SPACE

designed to maximize organization while maintaining elegance



Golden Glow: Elevate Your Bathroom with Gold Accessories

Gold bathroom accessories are the epitome of luxury and sophistication, offering a timeless way to transform your bathroom into an elegant retreat. The warm, radiant hue of gold brings a touch of opulence, blending beautifully with any style—from classic to contemporary.

Imagine the impact of golden towel racks, soap dispensers, mirrors, and toothbrush holders. Their luminous finish captures the light, adding a soft glow to your bathroom and creating an atmosphere of understated grandeur. Whether paired with neutral tones, such as whites and greys, or bold hues, such as navy or black, gold accessories become an exquisite focal point that ties the entire space together.

combine elegance, functionality, and durability, turning your bathroom into a luxurious haven. They invite you to experience a space that reflects sophistication and elevates your daily rituals, making every moment feel golden.

Using gold accessories in your bathroom is more than a design choice—it's an experience. Every interaction, whether hanging a towel, placing your essentials, or glancing in a gold-framed mirror, feels like a moment of indulgence.





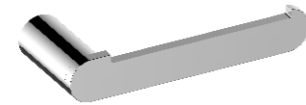
Specifications

kitchen & oth
LUXURY BATHROOM ACCESSORIES

Paper Holder

DESCRIPTION

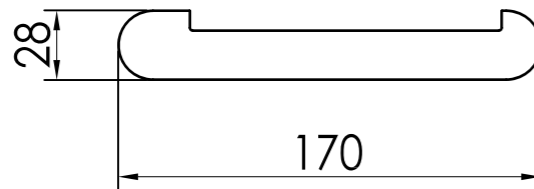
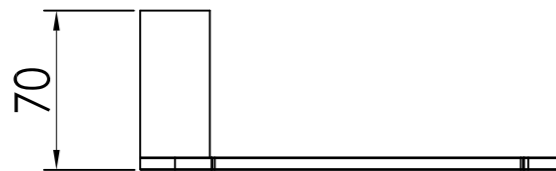
- **Brass Material:** Made from high-quality brass, ensuring durability and resistance to corrosion, this paper holder is built to last and withstand daily use in a bathroom environment.
- **Easy Installation:** Designed for quick and straightforward installation, allowing you to set it up with ease in your bathroom.
- **Durable Construction:** The brass material offers long-lasting performance, making it resistant to wear and tear.
- **Efficient and Practical:** Keeps your paper roll easily accessible and securely stored.
- **Elegant Design:** Adds a touch of sophistication and modern style to your bathroom decor.
- **Simple Installation:** The easy installation process means you can have it set up in no time.



AL-8832

AVAILABLE COLORS

- Chrome plated
- PVD Nickel Brushed
- PVD Hairline Gun Metal
- Metal Black Matte
- PVD Gold Hairline
- PVD Gold Glossy



CRITICAL DIMENSIONS

(Do not scale drawings)

WARRANTY

- Lifetime limited warranty against leaks, drips, and finish defects for the original homeowner.
- Five-year limited warranty for commercial installations.

For detailed warranty information, please visit our website.

KNB Co. reserves the right to revise product specifications without prior notice.



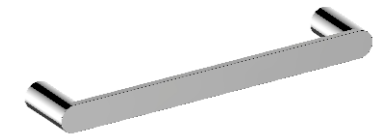
Specifications

kitchen & oth
LUXURY BATHROOM ACCESSORIES

Towel Bar

DESCRIPTION

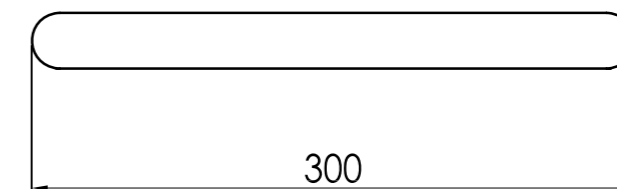
- **Brass Main Construction:** Made from high-quality brass, this towel holder offers long-lasting durability and resistance to corrosion, ensuring it remains a reliable fixture in your bathroom.
- **Ideal for Storing Towels:** The holder is specifically designed to provide an organized and practical solution for storing towels, helping you keep your bathroom neat and tidy.
- **Secure Mounting Design:** Features a strong and secure mounting system that ensures stability and reliability, keeping your towels in place without worry.
- **Modern Design:** Its sleek and modern design makes it versatile and easy to integrate into various bathroom styles, adding a stylish touch to your space.



AL-8836

AVAILABLE COLORS

- Chrome plated
- PVD Nickel Brushed
- PVD Hairline Gun Metal
- Metal Black Matte
- PVD Gold Hairline
- PVD Gold Glossy



CRITICAL DIMENSIONS

(Do not scale drawings)

WARRANTY

- Lifetime limited warranty against leaks, drips, and finish defects for the original homeowner.
- Five-year limited warranty for commercial installations.

For detailed warranty information, please visit our website.

KNB Co. reserves the right to revise product specifications without prior notice.





Specifications

kitchen & oth
LUXURY BATHROOM ACCESSORIES

Towel Rack

DESCRIPTION

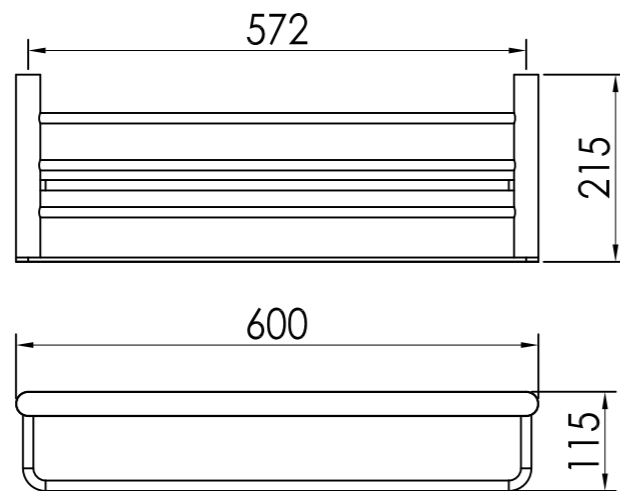
- Brass Main Construction: Crafted from durable brass, this towel holder is resistant to corrosion and wear, ensuring longevity and maintaining its polished look in a bathroom environment.
- Ideal for Bathroom Use: Designed specifically for use in a bathroom, it offers a practical and stylish solution for storing towels.

AVAILABLE COLORS

- Chrome plated
- PVD Nickel Brushed
- PVD Hairline Gun Metal
- Metal Black Matte
- PVD Gold Hairline
- PVD Gold Glossy



MODEL: AL-8833



CRITICAL DIMENSIONS

(Do not scale drawings)

WARRANTY

- Lifetime limited warranty against leaks, drips, and finish defects for the original homeowner.
- Five-year limited warranty for commercial installations.

For detailed warranty information, please visit our website.

KNB Co. reserves the right to revise product specifications without prior notice.



Specifications

kitchen & oth
LUXURY BATHROOM ACCESSORIES

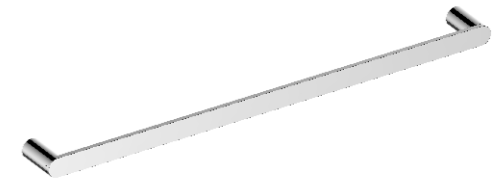
Towel Bar

DESCRIPTION

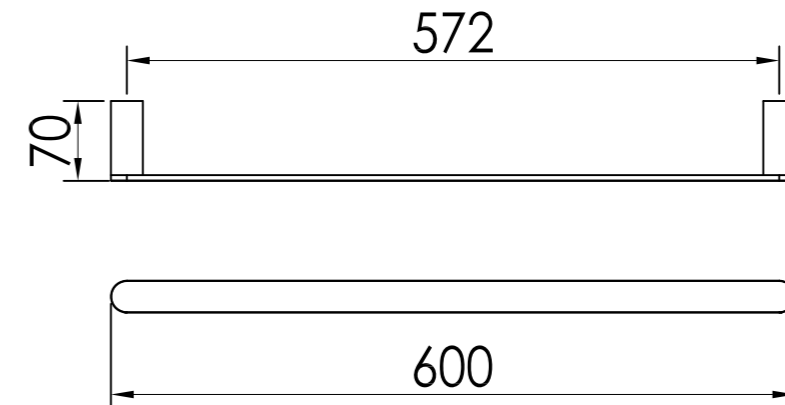
- Brass Main Construction: Made from high-quality brass, this towel holder is built to last. Its sturdy construction ensures that it can handle the weight of towels over time while resisting moisture and corrosion.
- Ideal for Bathroom Use: Specifically designed for the bathroom environment, it provides an effective way to store towels neatly and conveniently.
- Secure Mounting Design: The secure mounting ensures that the towel holder stays firmly in place, even with frequent use, giving you peace of mind.
- Modern Design: The sleek and contemporary design allows it to seamlessly integrate into a variety of bathroom styles, whether modern, minimalist, or traditional. It's a simple yet elegant solution to towel storage.

AVAILABLE COLORS

- Chrome plated
- PVD Nickel Brushed
- PVD Hairline Gun Metal
- Metal Black Matte
- PVD Gold Hairline
- PVD Gold Glossy



MODEL: AL-8836



CRITICAL DIMENSIONS

(Do not scale drawings)

WARRANTY

- Lifetime limited warranty against leaks, drips, and finish defects for the original homeowner.
- Five-year limited warranty for commercial installations.

For detailed warranty information, please visit our website.

KNB Co. reserves the right to revise product specifications without prior notice.





Specifications

kitchen & oth
LUXURY BATHROOM ACCESSORIES

Soap Dish

DESCRIPTION

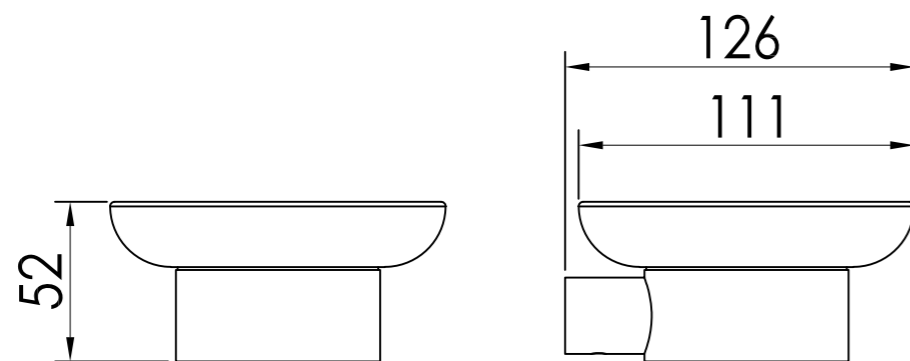
- Brass Main Holder: Crafted from high-quality brass, the holder is sturdy and resistant to rust, making it perfect for a humid bathroom environment. It ensures long-lasting durability and strength.
- Frosted Glass Dish: The frosted glass dish adds a touch of sophistication while providing a practical space for small items like soap, sponges, or other bathroom essentials. Its smooth, frosted finish prevents smudges and keeps it looking sleek.
- Easy to Install: The holder is designed for easy installation, making it simple to mount on the wall without the need for professional help. Securely attached, it stays in place even with frequent use.

AVAILABLE COLORS

- Chrome plated
- PVD Nickel Brushed
- PVD Hairline Gun Metal
- Metal Black Matte
- PVD Gold Hairline
- PVD Gold Glossy



AL-8837



CRITICAL DIMENSIONS

(Do not scale drawings)

WARRANTY

- Lifetime limited warranty against leaks, drips, and finish defects for the original homeowner.
- Five-year limited warranty for commercial installations.

For detailed warranty information, please visit our website.

KNB Co. reserves the right to revise product specifications without prior notice.



Specifications

kitchen & oth
LUXURY BATHROOM ACCESSORIES

Tumbler

DESCRIPTION

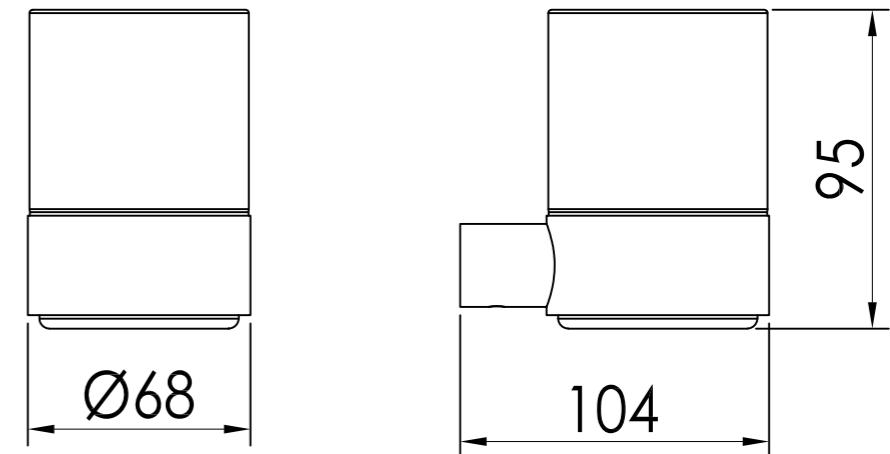
- Brass Main Holder: Made from high-quality brass, this holder ensures a sturdy, long-lasting design that resists corrosion and rust, making it perfect for a bathroom environment.
- Frosted Glass Cup: The frosted glass dish provides a stylish, smooth surface to store small bathroom essentials like soap, sponges, or jewelry. Its frosted finish helps prevent smudges and maintains a sleek appearance.
- Easy Installation: This holder comes with an easy-to-follow installation process, ensuring that you can set it up quickly and securely in your bathroom.

AVAILABLE COLORS

- Chrome plated
- PVD Nickel Brushed
- PVD Hairline Gun Metal
- Metal Black Matte
- PVD Gold Hairline
- PVD Gold Glossy



AL-8838



CRITICAL DIMENSIONS

(Do not scale drawings)

WARRANTY

- Lifetime limited warranty against leaks, drips, and finish defects for the original homeowner.
- Five-year limited warranty for commercial installations.

For detailed warranty information, please visit our website.

KNB Co. reserves the right to revise product specifications without prior notice.



LUXURY AND SOPHISTICATION

DEFECTS ALL BATHROOM INSPIRE

Imagine the impact of golden towel racks and accessories

BECOME AN EXQUISITE FOCAL POINT THAT TIES THE ENTIRE SPACE TOGETHER

Beyond aesthetics, gold bathroom accessories are crafted with precision and quality. Made from durable materials with advanced finishes, they resist tarnishing, corrosion, and scratches, ensuring their beauty lasts for years. Their functionality is equally impressive: towel rings that hold fabrics securely, soap dispensers that deliver smooth operation, and shelves designed to maximize organization while maintaining elegance. Gold accessories also pair well with various textures, including marble countertops, wooden cabinets, or tiled walls. Whether you opt

for a brushed, matte, or polished finish, each accessory exudes its own unique charm. These versatile pieces offer endless possibilities to customize your space and infuse it with your personal style.

Using gold accessories in your bathroom is more than a design choice—it's an experience. Every interaction, whether hanging a towel, placing your essentials, or glancing in a gold-framed mirror, feels like a moment of indulgence



Specifications



Robe Hook

DESCRIPTION

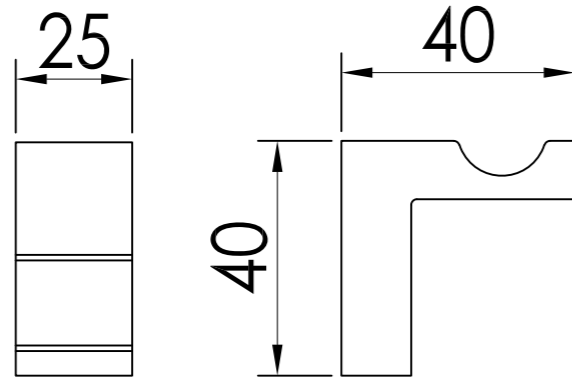
- The Brass Robe Hook is a practical and stylish addition to bathroom
- Made from high-quality brass, it is durable and resistant to corrosion
- Ensuring long-lasting performance
- The hook is easy to install and securely mounts to the wall in just a few simple steps
- This robe hook is both reliable and aesthetically pleasing

AVAILABLE COLORS

- Chrome plated
- PVD Nickel Brushed
- PVD Hairline Gun Metal
- Metal Black Matte
- PVD Gold Hairline
- PVD Gold Glossy



AL-6831



CRITICAL DIMENSIONS

(Do not scale drawings)

WARRANTY

- Lifetime limited warranty against leaks, drips, and finish defects for the original homeowner.
- Five-year limited warranty for commercial installations.

For detailed warranty information, please visit our website.

KNB Co. reserves the right to revise product specifications without prior notice.



Specifications



Tumbler

DESCRIPTION

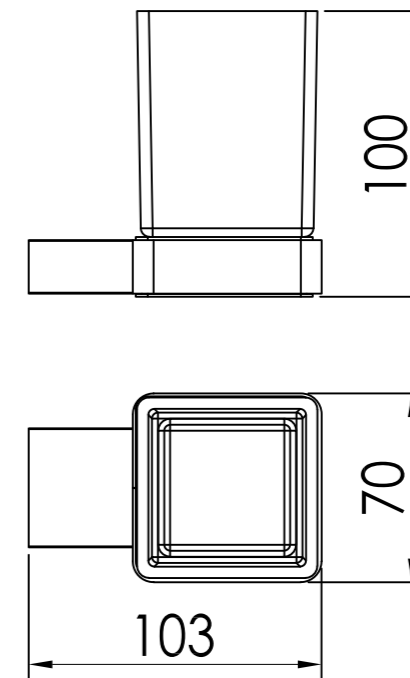
- Brass Main Holder: Made from high-quality brass, this holder ensures a sturdy, long-lasting design that resists corrosion and rust, making it perfect for a bathroom environment.
- Frosted Glass Cup: The frosted glass dish provides a stylish, smooth surface to store small bathroom essentials like soap, sponges, or jewelry. Its frosted finish helps prevent smudges and maintains a sleek appearance.
- Easy Installation: This holder comes with an easy-to-follow installation process, ensuring that you can set it up quickly and securely in your bathroom.

AVAILABLE COLORS

- Chrome plated
- PVD Nickel Brushed
- PVD Hairline Gun Metal
- Metal Black Matte
- PVD Gold Hairline
- PVD Gold Glossy



AL-6838



CRITICAL DIMENSIONS

(Do not scale drawings)

WARRANTY

- Lifetime limited warranty against leaks, drips, and finish defects for the original homeowner.
- Five-year limited warranty for commercial installations.

For detailed warranty information, please visit our website.

KNB Co. reserves the right to revise product specifications without prior notice.





Specifications

kitchen & oth
LUXURY BATHROOM ACCESSORIES

Robe Hook

DESCRIPTION

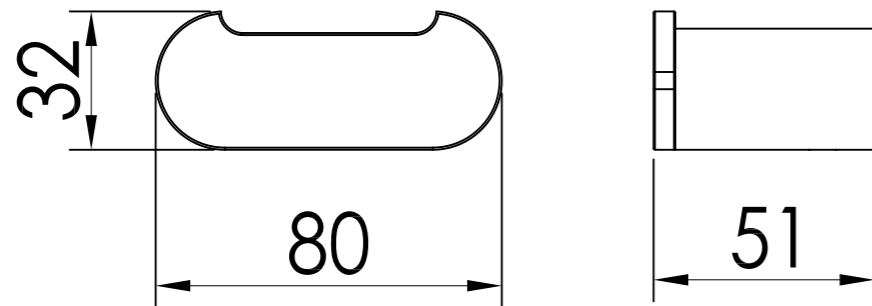
- The Brass Dual Robe Hook is a practical and stylish addition to bathroom
- Made from high-quality brass, it is durable and resistant to corrosion
- Ensuring long-lasting performance
- The hook is easy to install and securely mounts to the wall in just a few simple steps
- This robe hook is both reliable and aesthetically pleasing

AVAILABLE COLORS

- Chrome plated
- PVD Nickel Brushed
- PVD Hairline Gun Metal
- Metal Black Matte
- PVD Gold Hairline
- PVD Gold Glossy



AL-8831B



CRITICAL DIMENSIONS
(Do not scale drawings)

WARRANTY

- Lifetime limited warranty against leaks, drips, and finish defects for the original homeowner.
- Five-year limited warranty for commercial installations.

For detailed warranty information, please visit our website.

KNB Co. reserves the right to revise product specifications without prior notice.



Specifications

kitchen & oth
LUXURY BATHROOM ACCESSORIES

Paper Holder

DESCRIPTION

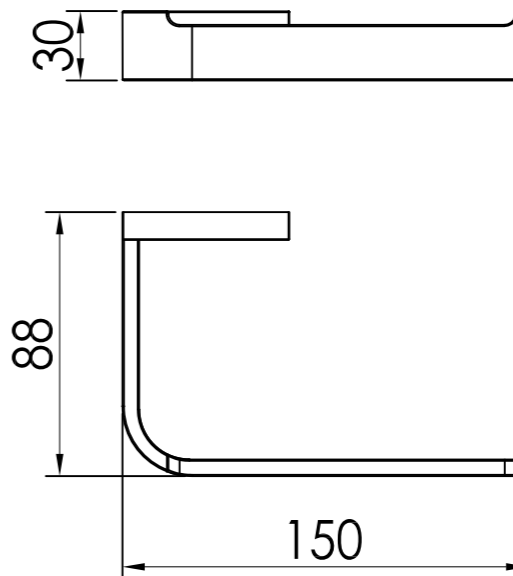
- Brass Material: Made from high-quality brass, ensuring durability and resistance to corrosion, this paper holder is built to last and withstand daily use in a bathroom environment.
- Easy Installation: Designed for quick and straightforward installation, allowing you to set it up with ease in your bathroom.
- Durable Construction: The brass material offers long-lasting performance, making it resistant to wear and tear.
- Efficient and Practical: Keeps your paper roll easily accessible and securely stored.
- Elegant Design: Adds a touch of sophistication and modern style to your bathroom decor.
- Simple Installation: The easy installation process means you can have it set up in no time.

AVAILABLE COLORS

- Chrome plated
- PVD Nickel Brushed
- PVD Hairline Gun Metal
- Metal Black Matte
- PVD Gold Hairline
- PVD Gold Glossy



AL-6832



CRITICAL DIMENSIONS
(Do not scale drawings)

WARRANTY

- Lifetime limited warranty against leaks, drips, and finish defects for the original homeowner.
- Five-year limited warranty for commercial installations.

For detailed warranty information, please visit our website.

KNB Co. reserves the right to revise product specifications without prior notice.





Specifications

kitchen & oth
LUXURY BATHROOM ACCESSORIES

Soap Dish

DESCRIPTION

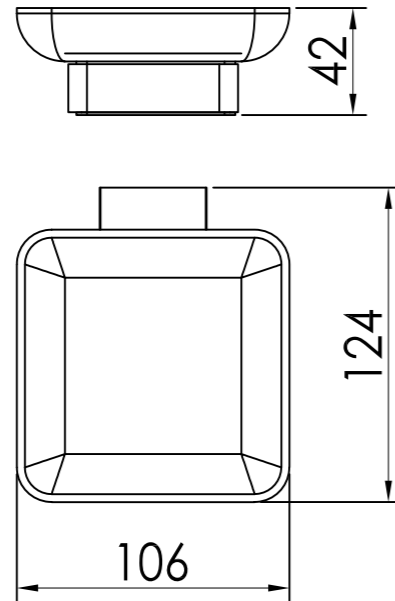
- **Brass Main Holder:** Crafted from high-quality brass, the holder is sturdy and resistant to rust, making it perfect for a humid bathroom environment. It ensures long-lasting durability and strength.
- **Frosted Glass Dish:** The frosted glass dish adds a touch of sophistication while providing a practical space for small items like soap, sponges, or other bathroom essentials. Its smooth, frosted finish prevents smudges and keeps it looking sleek.
- **Easy to Install:** The holder is designed for easy installation, making it simple to mount on the wall without the need for professional help. Securely attached, it stays in place even with frequent use.



AL-6837

AVAILABLE COLORS

- Chrome plated
- PVD Nickel Brushed
- PVD Hairline Gun Metal
- Metal Black Matte
- PVD Gold Hairline
- PVD Gold Glossy



CRITICAL DIMENSIONS

(Do not scale drawings)

WARRANTY

- Lifetime limited warranty against leaks, drips, and finish defects for the original homeowner.
- Five-year limited warranty for commercial installations.

For detailed warranty information, please visit our website.

KNB Co. reserves the right to revise product specifications without prior notice.



Specifications

kitchen & oth
LUXURY BATHROOM ACCESSORIES

Towel Bar

DESCRIPTION

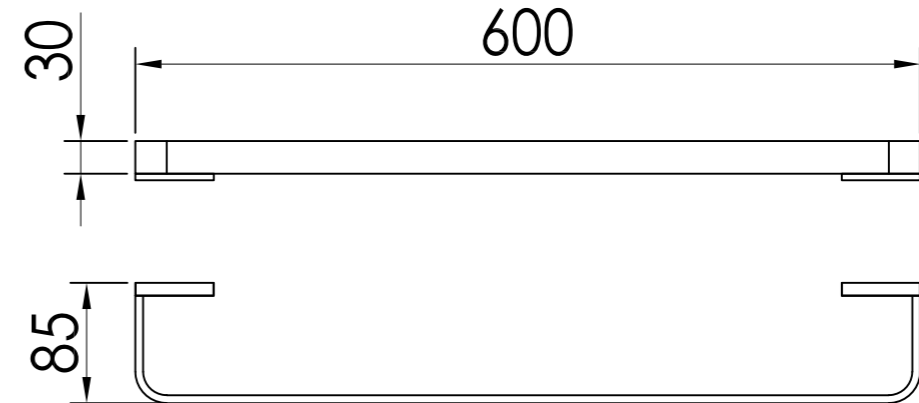
- **Brass Main Construction:** Made from high-quality brass, this towel holder is built to last. Its sturdy construction ensures that it can handle the weight of towels over time while resisting moisture and corrosion.
- **Ideal for Bathroom Use:** Specifically designed for the bathroom environment, it provides an effective way to store towels neatly and conveniently.
- **Secure Mounting Design:** The secure mounting ensures that the towel holder stays firmly in place, even with frequent use, giving you peace of mind.
- **Modern Design:** The sleek and contemporary design allows it to seamlessly integrate into a variety of bathroom styles, whether modern, minimalist, or traditional. It's a simple yet elegant solution to towel storage.



AL-6836

AVAILABLE COLORS

- Chrome plated
- PVD Nickel Brushed
- PVD Hairline Gun Metal
- Metal Black Matte
- PVD Gold Hairline
- PVD Gold Glossy



CRITICAL DIMENSIONS

(Do not scale drawings)

WARRANTY

- Lifetime limited warranty against leaks, drips, and finish defects for the original homeowner.
- Five-year limited warranty for commercial installations.

For detailed warranty information, please visit our website.

KNB Co. reserves the right to revise product specifications without prior notice.





Specifications

kitchen & oth
LUXURY BATHROOM ACCESSORIES

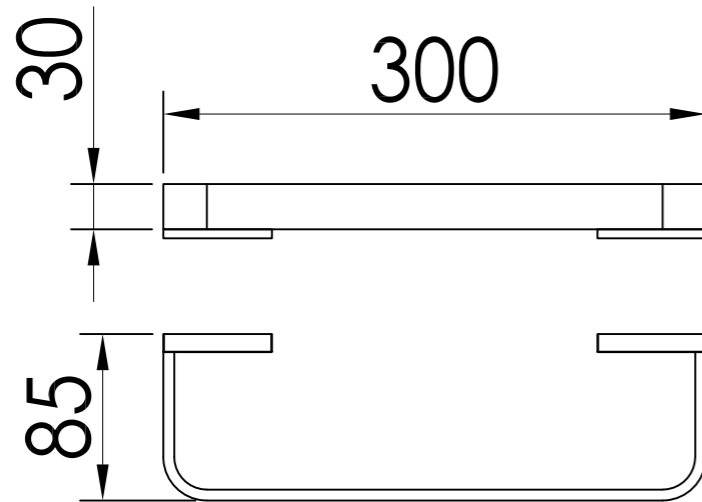
Towel Bar

DESCRIPTION

- **Brass Main Construction:** Made from high-quality brass, this towel holder offers long-lasting durability and resistance to corrosion, ensuring it remains a reliable fixture in your bathroom.
- **Ideal for Storing Towels:** The holder is specifically designed to provide an organized and practical solution for storing towels, helping you keep your bathroom neat and tidy.
- **Secure Mounting Design:** Features a strong and secure mounting system that ensures stability and reliability, keeping your towels in place without worry.
- **Modern Design:** Its sleek and modern design makes it versatile and easy to integrate into various bathroom styles, adding a stylish touch to your space.

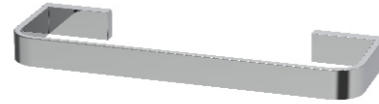
AVAILABLE COLORS

- Chrome plated
- PVD Nickel Brushed
- PVD Hairline Gun Metal
- Metal Black Matte
- PVD Gold Hairline
- PVD Gold Glossy



CRITICAL DIMENSIONS

(Do not scale drawings)



AL-6836B

WARRANTY

- Lifetime limited warranty against leaks, drips, and finish defects for the original homeowner.
- Five-year limited warranty for commercial installations.

For detailed warranty information, please visit our website.

KNB Co. reserves the right to revise product specifications without prior notice.



Specifications

kitchen & oth
LUXURY BATHROOM ACCESSORIES

Towel Rack

DESCRIPTION

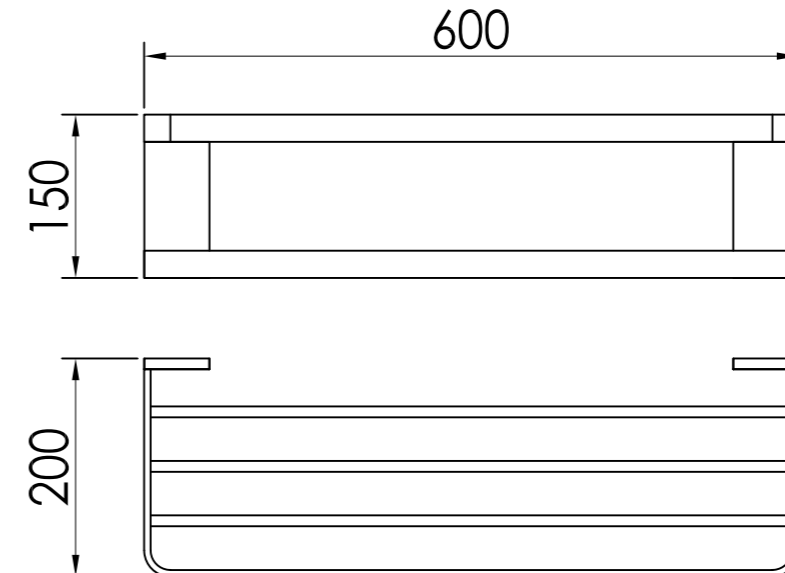
- **Brass Main Construction:** Crafted from durable brass, this towel holder is resistant to corrosion and wear, ensuring longevity and maintaining its polished look in a bathroom environment.
- **Ideal for Bathroom Use:** Designed specifically for use in a bathroom, it offers a practical and stylish solution for storing towels.

AVAILABLE COLORS

- Chrome plated
- PVD Nickel Brushed
- PVD Hairline Gun Metal
- Metal Black Matte
- PVD Gold Hairline
- PVD Gold Glossy



AL-6833



CRITICAL DIMENSIONS

(Do not scale drawings)

WARRANTY

- Lifetime limited warranty against leaks, drips, and finish defects for the original homeowner.
- Five-year limited warranty for commercial installations.

For detailed warranty information, please visit our website.

KNB Co. reserves the right to revise product specifications without prior notice.





Specifications

kitchen & oth
LUXURY BATHROOM ACCESSORIES

Towel Bar

DESCRIPTION

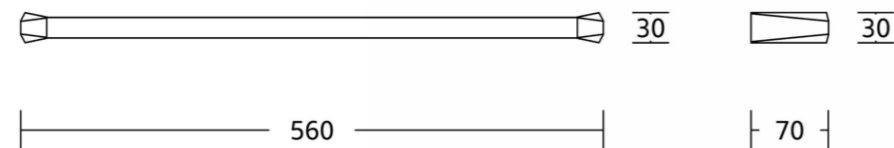
- **Brass Main Construction:** Made from high-quality brass, this towel holder is built to last. Its sturdy construction ensures that it can handle the weight of towels over time while resisting moisture and corrosion.
- **Ideal for Bathroom Use:** Specifically designed for the bathroom environment, it provides an effective way to store towels neatly and conveniently.
- **Secure Mounting Design:** The secure mounting ensures that the towel holder stays firmly in place, even with frequent use, giving you peace of mind.
- **Modern Design:** The sleek and contemporary design allows it to seamlessly integrate into a variety of bathroom styles, whether modern, minimalist, or traditional. It's a simple yet elegant solution to towel storage.

AVAILABLE COLORS

- Chrome plated
- PVD Nickel Brushed
- PVD Hairline Gun Metal
- Metal Black Matte
- PVD Gold Hairline
- PVD Gold Glossy



18724



CRITICAL DIMENSIONS

(Do not scale drawings)

WARRANTY

- Lifetime limited warranty against leaks, drips, and finish defects for the original homeowner.
- Five-year limited warranty for commercial installations.

For detailed warranty information, please visit our website.

KNB Co. reserves the right to revise product specifications without prior notice.



Specifications

kitchen & oth
LUXURY BATHROOM ACCESSORIES

Towel Ring

DESCRIPTION

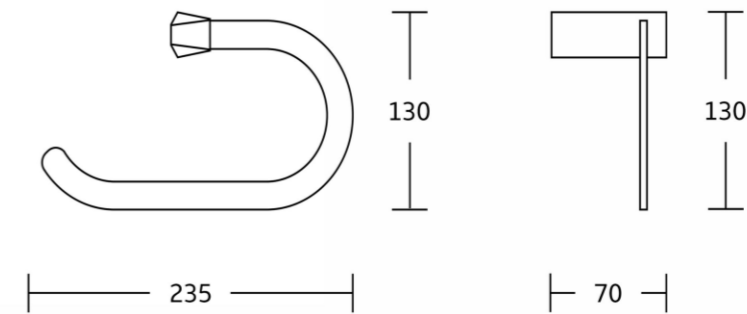
- **Brass Main Construction:** Made from high-quality brass, this towel holder offers long-lasting durability and resistance to corrosion, ensuring it remains a reliable fixture in your bathroom.
- **Ideal for Storing Towels:** The holder is specifically designed to provide an organized and practical solution for storing towels, helping you keep your bathroom neat and tidy.
- **Secure Mounting Design:** Features a strong and secure mounting system that ensures stability and reliability, keeping your towels in place without worry.
- **Modern Design:** Its sleek and modern design makes it versatile and easy to integrate into various bathroom styles, adding a stylish touch to your space.

AVAILABLE COLORS

- Chrome plated
- PVD Nickel Brushed
- PVD Hairline Gun Metal
- Metal Black Matte
- PVD Gold Hairline
- PVD Gold Glossy



18732



CRITICAL DIMENSIONS

(Do not scale drawings)

WARRANTY

- Lifetime limited warranty against leaks, drips, and finish defects for the original homeowner.
- Five-year limited warranty for commercial installations.

For detailed warranty information, please visit our website.

KNB Co. reserves the right to revise product specifications without prior notice.





Specifications



Paper Holder

DESCRIPTION

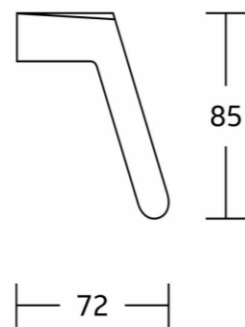
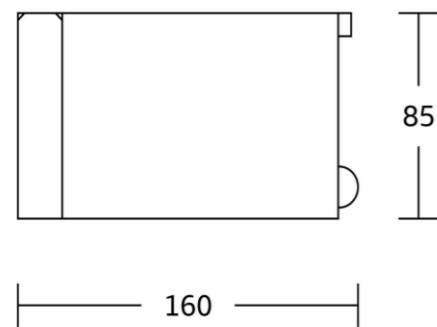
- **Brass Material:** Made from high-quality brass, ensuring durability and resistance to corrosion, this paper holder is built to last and withstand daily use in a bathroom environment.
- **Easy Installation:** Designed for quick and straightforward installation, allowing you to set it up with ease in your bathroom.
- **Durable Construction:** The brass material offers long-lasting performance, making it resistant to wear and tear.
- **Efficient and Practical:** Keeps your paper roll easily accessible and securely stored.
- **Elegant Design:** Adds a touch of sophistication and modern style to your bathroom decor.
- **Simple Installation:** The easy installation process means you can have it set up in no time.



18724

AVAILABLE COLORS

- Chrome plated
- PVD Nickel Brushed
- PVD Hairline Gun Metal
- Metal Black Matte
- PVD Gold Hairline
- PVD Gold Glossy



CRITICAL DIMENSIONS

(Do not scale drawings)

WARRANTY

- Lifetime limited warranty against leaks, drips, and finish defects for the original homeowner.
- Five-year limited warranty for commercial installations.

For detailed warranty information, please visit our website.

KNB Co. reserves the right to revise product specifications without prior notice.



Specifications



Robe Hook

DESCRIPTION

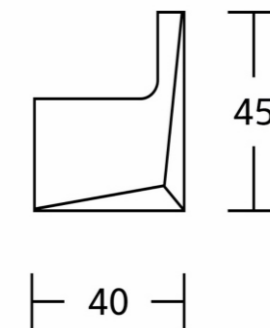
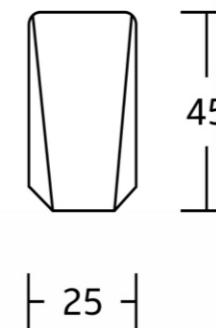
- **The Brass Robe Hook** is a practical and stylish addition to bathroom
- Made from high-quality brass, it is durable and resistant to corrosion
- Ensuring long-lasting performance
- The hook is easy to install and securely mounts to the wall in just a few simple steps
- This robe hook is both reliable and aesthetically pleasing



18735

AVAILABLE COLORS

- Chrome plated
- PVD Nickel Brushed
- PVD Hairline Gun Metal
- Metal Black Matte
- PVD Gold Hairline
- PVD Gold Glossy



CRITICAL DIMENSIONS

(Do not scale drawings)

WARRANTY

- Lifetime limited warranty against leaks, drips, and finish defects for the original homeowner.
- Five-year limited warranty for commercial installations.

For detailed warranty information, please visit our website.

KNB Co. reserves the right to revise product specifications without prior notice.





Specifications

kitchen & oth
LUXURY BATHROOM ACCESSORIES

Soap Dish

DESCRIPTION

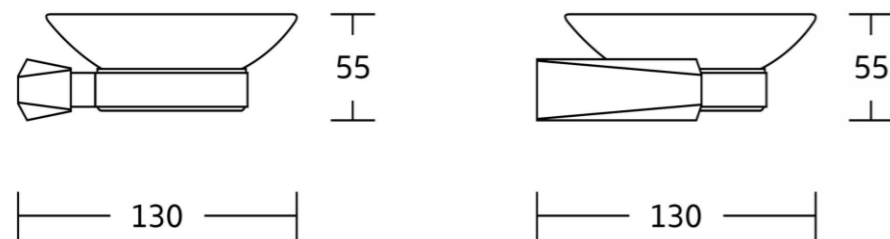
- Brass Main Holder: Crafted from high-quality brass, the holder is sturdy and resistant to rust, making it perfect for a humid bathroom environment. It ensures long-lasting durability and strength.
- Frosted Glass Dish: The frosted glass dish adds a touch of sophistication while providing a practical space for small items like soap, sponges, or other bathroom essentials. Its smooth, frosted finish prevents smudges and keeps it looking sleek.
- Easy to Install: The holder is designed for easy installation, making it simple to mount on the wall without the need for professional help. Securely attached, it stays in place even with frequent use.

AVAILABLE COLORS

- Chrome plated
- PVD Nickel Brushed
- PVD Hairline Gun Metal
- Metal Black Matte
- PVD Gold Hairline
- PVD Gold Glossy



18739



CRITICAL DIMENSIONS

(Do not scale drawings)

WARRANTY

- Lifetime limited warranty against leaks, drips, and finish defects for the original homeowner.
- Five-year limited warranty for commercial installations.

For detailed warranty information, please visit our website.

KNB Co. reserves the right to revise product specifications without prior notice.



Specifications

kitchen & oth
LUXURY BATHROOM ACCESSORIES

Tumbler

DESCRIPTION

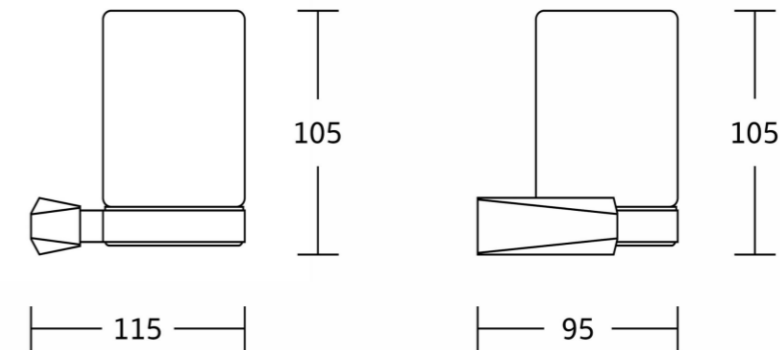
- Brass Main Holder: Made from high-quality brass, this holder ensures a sturdy, long-lasting design that resists corrosion and rust, making it perfect for a bathroom environment.
- Frosted Glass Cup: The frosted glass dish provides a stylish, smooth surface to store small bathroom essentials like soap, sponges, or jewelry. Its frosted finish helps prevent smudges and maintains a sleek appearance.
- Easy Installation: This holder comes with an easy-to-follow installation process, ensuring that you can set it up quickly and securely in your bathroom.

AVAILABLE COLORS

- Chrome plated
- PVD Nickel Brushed
- PVD Hairline Gun Metal
- Metal Black Matte
- PVD Gold Hairline
- PVD Gold Glossy



18738



CRITICAL DIMENSIONS

(Do not scale drawings)

WARRANTY

- Lifetime limited warranty against leaks, drips, and finish defects for the original homeowner.
- Five-year limited warranty for commercial installations.

For detailed warranty information, please visit our website.

KNB Co. reserves the right to revise product specifications without prior notice.





Specifications



Tumbler

DESCRIPTION

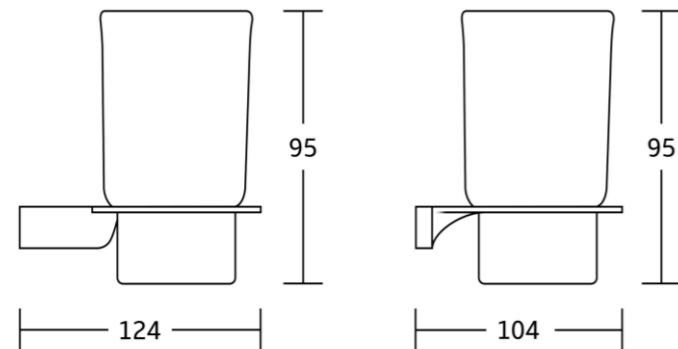
- Brass Main Holder: Made from high-quality brass, this holder ensures a sturdy, long-lasting design that resists corrosion and rust, making it perfect for a bathroom environment.
- Frosted Glass Cup: The frosted glass dish provides a stylish, smooth surface to store small bathroom essentials like soap, sponges, or jewelry. Its frosted finish helps prevent smudges and maintains a sleek appearance.
- Easy Installation: This holder comes with an easy-to-follow installation process, ensuring that you can set it up quickly and securely in your bathroom.



27038

AVAILABLE COLORS

- Chrome plated
- PVD Nickel Brushed
- PVD Hairline Gun Metal
- Metal Black Matte
- PVD Gold Hairline
- PVD Gold Glossy



CRITICAL DIMENSIONS

(Do not scale drawings)

WARRANTY

- Lifetime limited warranty against leaks, drips, and finish defects for the original homeowner.
- Five-year limited warranty for commercial installations.

For detailed warranty information, please visit our website.

KNB Co. reserves the right to revise product specifications without prior notice.



Specifications



Soap Dish

DESCRIPTION

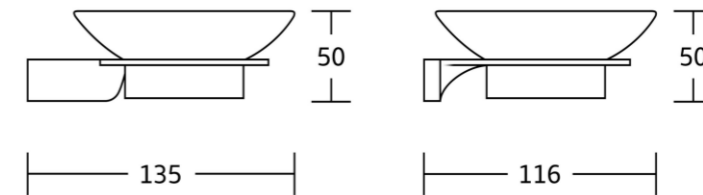
- Brass Main Holder: Crafted from high-quality brass, the holder is sturdy and resistant to rust, making it perfect for a humid bathroom environment. It ensures long-lasting durability and strength.
- Frosted Glass Dish: The frosted glass dish adds a touch of sophistication while providing a practical space for small items like soap, sponges, or other bathroom essentials. Its smooth, frosted finish prevents smudges and keeps it looking sleek.
- Easy to Install: The holder is designed for easy installation, making it simple to mount on the wall without the need for professional help. Securely attached, it stays in place even with frequent use.



27039

AVAILABLE COLORS

- Chrome plated
- PVD Nickel Brushed
- PVD Hairline Gun Metal
- Metal Black Matte
- PVD Gold Hairline
- PVD Gold Glossy



CRITICAL DIMENSIONS

(Do not scale drawings)

WARRANTY

- Lifetime limited warranty against leaks, drips, and finish defects for the original homeowner.
- Five-year limited warranty for commercial installations.

For detailed warranty information, please visit our website.

KNB Co. reserves the right to revise product specifications without prior notice.





Specifications

kitchen & oth
LUXURY BATHROOM ACCESSORIES

Robe Hook

DESCRIPTION

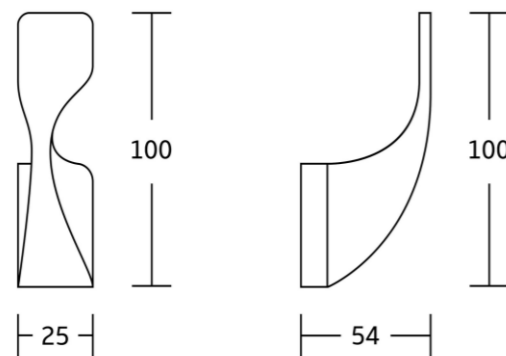
- The Brass Robe Hook is a practical and stylish addition to bathroom
- Made from high-quality brass, it is durable and resistant to corrosion
- Ensuring long-lasting performance
- The hook is easy to install and securely mounts to the wall in just a few simple steps
- This robe hook is both reliable and aesthetically pleasing

AVAILABLE COLORS

- Chrome plated
- PVD Nickel Brushed
- PVD Hairline Gun Metal
- Metal Black Matte
- PVD Gold Hairline
- PVD Gold Glossy



27035



CRITICAL DIMENSIONS

(Do not scale drawings)

WARRANTY

- Lifetime limited warranty against leaks, drips, and finish defects for the original homeowner.
- Five-year limited warranty for commercial installations.

For detailed warranty information, please visit our website.

KNB Co. reserves the right to revise product specifications without prior notice.



Specifications

kitchen & oth
LUXURY BATHROOM ACCESSORIES

Paper Holder

DESCRIPTION

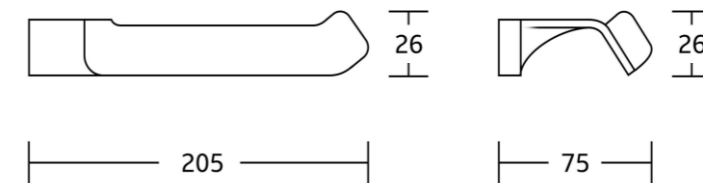
- Brass Material: Made from high-quality brass, ensuring durability and resistance to corrosion, this paper holder is built to last and withstand daily use in a bathroom environment.
- Easy Installation: Designed for quick and straightforward installation, allowing you to set it up with ease in your bathroom.
- Durable Construction: The brass material offers long-lasting performance, making it resistant to wear and tear.
- Efficient and Practical: Keeps your paper roll easily accessible and securely stored.
- Elegant Design: Adds a touch of sophistication and modern style to your bathroom decor.
- Simple Installation: The easy installation process means you can have it set up in no time.

AVAILABLE COLORS

- Chrome plated
- PVD Nickel Brushed
- PVD Hairline Gun Metal
- Metal Black Matte
- PVD Gold Hairline
- PVD Gold Glossy



27033D



CRITICAL DIMENSIONS

(Do not scale drawings)

WARRANTY

- Lifetime limited warranty against leaks, drips, and finish defects for the original homeowner.
- Five-year limited warranty for commercial installations.

For detailed warranty information, please visit our website.

KNB Co. reserves the right to revise product specifications without prior notice.





Specifications

kitchen & oth
LUXURY BATHROOM ACCESSORIES

Towel Ring

DESCRIPTION

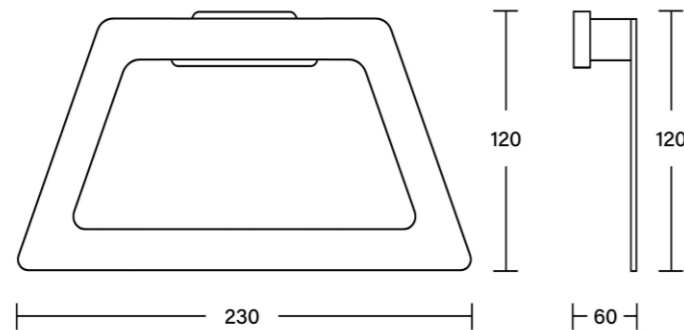
- **Brass Main Construction:** Made from high-quality brass, this towel holder offers long-lasting durability and resistance to corrosion, ensuring it remains a reliable fixture in your bathroom.
- **Ideal for Storing Towels:** The holder is specifically designed to provide an organized and practical solution for storing towels, helping you keep your bathroom neat and tidy.
- **Secure Mounting Design:** Features a strong and secure mounting system that ensures stability and reliability, keeping your towels in place without worry.
- **Modern Design:** Its sleek and modern design makes it versatile and easy to integrate into various bathroom styles, adding a stylish touch to your space.

AVAILABLE COLORS

- Chrome plated
- PVD Nickel Brushed
- PVD Hairline Gun Metal
- Metal Black Matte
- PVD Gold Hairline
- PVD Gold Glossy



28032



CRITICAL DIMENSIONS

(Do not scale drawings)

WARRANTY

- Lifetime limited warranty against leaks, drips, and finish defects for the original homeowner.
- Five-year limited warranty for commercial installations.

For detailed warranty information, please visit our website.

KNB Co. reserves the right to revise product specifications without prior notice.



Specifications

kitchen & oth
LUXURY BATHROOM ACCESSORIES

Towel Bar

DESCRIPTION

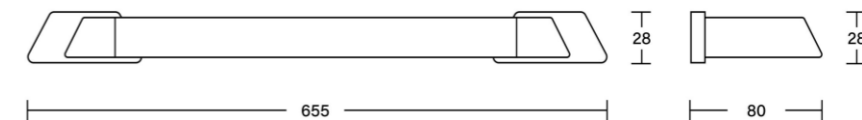
- **Brass Main Construction:** Made from high-quality brass, this towel holder is built to last. Its sturdy construction ensures that it can handle the weight of towels over time while resisting moisture and corrosion.
- **Ideal for Bathroom Use:** Specifically designed for the bathroom environment, it provides an effective way to store towels neatly and conveniently.
- **Secure Mounting Design:** The secure mounting ensures that the towel holder stays firmly in place, even with frequent use, giving you peace of mind.
- **Modern Design:** The sleek and contemporary design allows it to seamlessly integrate into a variety of bathroom styles, whether modern, minimalist, or traditional. It's a simple yet elegant solution to towel storage.

AVAILABLE COLORS

- Chrome plated
- PVD Nickel Brushed
- PVD Hairline Gun Metal
- Metal Black Matte
- PVD Gold Hairline
- PVD Gold Glossy



28024



CRITICAL DIMENSIONS

(Do not scale drawings)

WARRANTY

- Lifetime limited warranty against leaks, drips, and finish defects for the original homeowner.
- Five-year limited warranty for commercial installations.

For detailed warranty information, please visit our website.

KNB Co. reserves the right to revise product specifications without prior notice.





Specifications



Towel Bar

DESCRIPTION

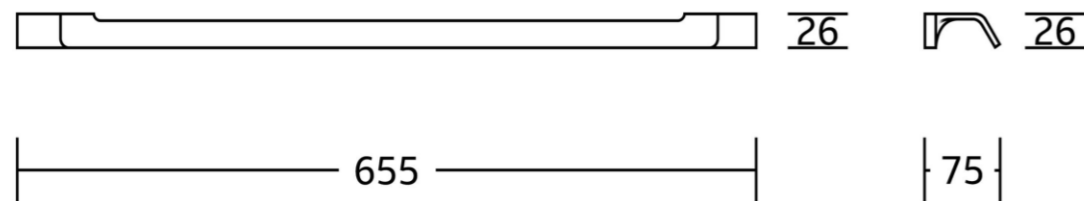
- **Brass Main Construction:** Made from high-quality brass, this towel holder is built to last. Its sturdy construction ensures that it can handle the weight of towels over time while resisting moisture and corrosion.
- **Ideal for Bathroom Use:** Specifically designed for the bathroom environment, it provides an effective way to store towels neatly and conveniently.
- **Secure Mounting Design:** The secure mounting ensures that the towel holder stays firmly in place, even with frequent use, giving you peace of mind.
- **Modern Design:** The sleek and contemporary design allows it to seamlessly integrate into a variety of bathroom styles, whether modern, minimalist, or traditional. It's a simple yet elegant solution to towel storage.

AVAILABLE COLORS

- Chrome plated
- PVD Nickel Brushed
- PVD Hairline Gun Metal
- Metal Black Matte
- PVD Gold Hairline
- PVD Gold Glossy



27024



CRITICAL DIMENSIONS

(Do not scale drawings)

WARRANTY

- Lifetime limited warranty against leaks, drips, and finish defects for the original homeowner.
- Five-year limited warranty for commercial installations.

For detailed warranty information, please visit our website.

KNB Co. reserves the right to revise product specifications without prior notice.



Specifications



Towel Ring

DESCRIPTION

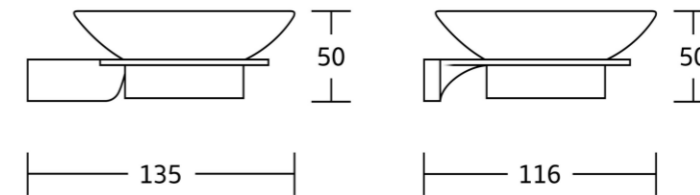
- **Brass Main Construction:** Made from high-quality brass, this towel holder offers long-lasting durability and resistance to corrosion, ensuring it remains a reliable fixture in your bathroom.
- **Ideal for Storing Towels:** The holder is specifically designed to provide an organized and practical solution for storing towels, helping you keep your bathroom neat and tidy.
- **Secure Mounting Design:** Features a strong and secure mounting system that ensures stability and reliability, keeping your towels in place without worry.
- **Modern Design:** Its sleek and modern design makes it versatile and easy to integrate into various bathroom styles, adding a stylish touch to your space.

AVAILABLE COLORS

- Chrome plated
- PVD Nickel Brushed
- PVD Hairline Gun Metal
- Metal Black Matte
- PVD Gold Hairline
- PVD Gold Glossy



27032



CRITICAL DIMENSIONS

(Do not scale drawings)

WARRANTY

- Lifetime limited warranty against leaks, drips, and finish defects for the original homeowner.
- Five-year limited warranty for commercial installations.

For detailed warranty information, please visit our website.

KNB Co. reserves the right to revise product specifications without prior notice.





Specifications



Soap Dish

DESCRIPTION

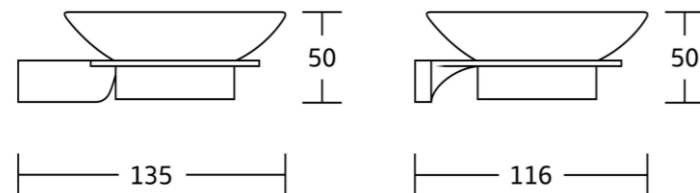
- Brass Main Holder: Crafted from high-quality brass, the holder is sturdy and resistant to rust, making it perfect for a humid bathroom environment. It ensures long-lasting durability and strength.
- Frosted Glass Dish: The frosted glass dish adds a touch of sophistication while providing a practical space for small items like soap, sponges, or other bathroom essentials. Its smooth, frosted finish prevents smudges and keeps it looking sleek.
- Easy to Install: The holder is designed for easy installation, making it simple to mount on the wall without the need for professional help. Securely attached, it stays in place even with frequent use.



28039

AVAILABLE COLORS

- Chrome plated
- PVD Nickel Brushed
- PVD Hairline Gun Metal
- Metal Black Matte
- PVD Gold Hairline
- PVD Gold Glossy



CRITICAL DIMENSIONS

(Do not scale drawings)

WARRANTY

- Lifetime limited warranty against leaks, drips, and finish defects for the original homeowner.
- Five-year limited warranty for commercial installations.

For detailed warranty information, please visit our website.

KNB Co. reserves the right to revise product specifications without prior notice.



Specifications



Tumbler

DESCRIPTION

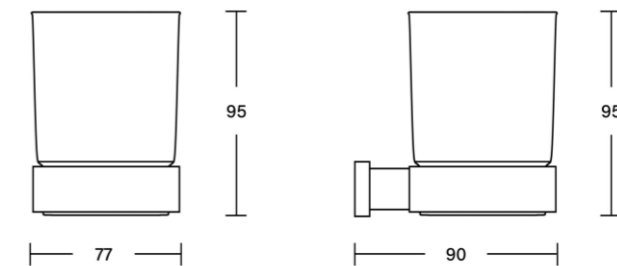
- Brass Main Holder: Made from high-quality brass, this holder ensures a sturdy, long-lasting design that resists corrosion and rust, making it perfect for a bathroom environment.
- Frosted Glass Cup: The frosted glass dish provides a stylish, smooth surface to store small bathroom essentials like soap, sponges, or jewelry. Its frosted finish helps prevent smudges and maintains a sleek appearance.
- Easy Installation: This holder comes with an easy-to-follow installation process, ensuring that you can set it up quickly and securely in your bathroom.



28038

AVAILABLE COLORS

- Chrome plated
- PVD Nickel Brushed
- PVD Hairline Gun Metal
- Metal Black Matte
- PVD Gold Hairline
- PVD Gold Glossy



CRITICAL DIMENSIONS

(Do not scale drawings)

WARRANTY

- Lifetime limited warranty against leaks, drips, and finish defects for the original homeowner.
- Five-year limited warranty for commercial installations.

For detailed warranty information, please visit our website.

KNB Co. reserves the right to revise product specifications without prior notice.





Specifications

kitchen & oth
LUXURY BATHROOM ACCESSORIES

Robe Hook

DESCRIPTION

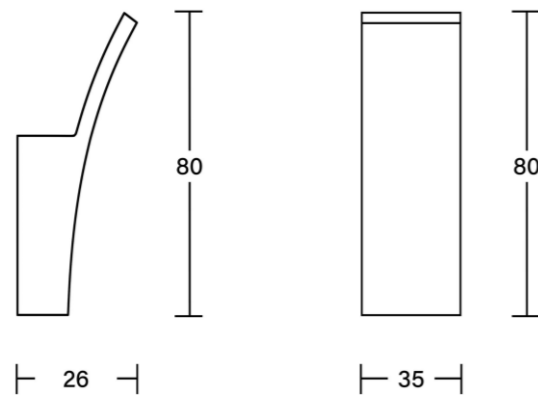
- The Brass Robe Hook is a practical and stylish addition to bathroom
- Made from high-quality brass, it is durable and resistant to corrosion
- Ensuring long-lasting performance
- The hook is easy to install and securely mounts to the wall in just a few simple steps
- This robe hook is both reliable and aesthetically pleasing

AVAILABLE COLORS

- Chrome plated
- PVD Nickel Brushed
- PVD Hairline Gun Metal
- Metal Black Matte
- PVD Gold Hairline
- PVD Gold Glossy



28035



CRITICAL DIMENSIONS

(Do not scale drawings)

WARRANTY

- Lifetime limited warranty against leaks, drips, and finish defects for the original homeowner.
- Five-year limited warranty for commercial installations.

For detailed warranty information, please visit our website.

KNB Co. reserves the right to revise product specifications without prior notice.



Specifications

kitchen & oth
LUXURY BATHROOM ACCESSORIES

Paper Holder

DESCRIPTION

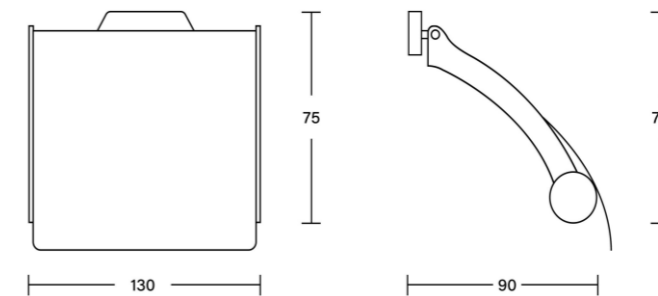
- Brass Material: Made from high-quality brass, ensuring durability and resistance to corrosion, this paper holder is built to last and withstand daily use in a bathroom environment.
- Easy Installation: Designed for quick and straightforward installation, allowing you to set it up with ease in your bathroom.
- Durable Construction: The brass material offers long-lasting performance, making it resistant to wear and tear.
- Efficient and Practical: Keeps your paper roll easily accessible and securely stored.
- Elegant Design: Adds a touch of sophistication and modern style to your bathroom decor.
- Simple Installation: The easy installation process means you can have it set up in no time.

AVAILABLE COLORS

- Chrome plated
- PVD Nickel Brushed
- PVD Hairline Gun Metal
- Metal Black Matte
- PVD Gold Hairline
- PVD Gold Glossy



28033



CRITICAL DIMENSIONS

(Do not scale drawings)

WARRANTY

- Lifetime limited warranty against leaks, drips, and finish defects for the original homeowner.
- Five-year limited warranty for commercial installations.

For detailed warranty information, please visit our website.

KNB Co. reserves the right to revise product specifications without prior notice.





Specifications



Paper Holder

DESCRIPTION

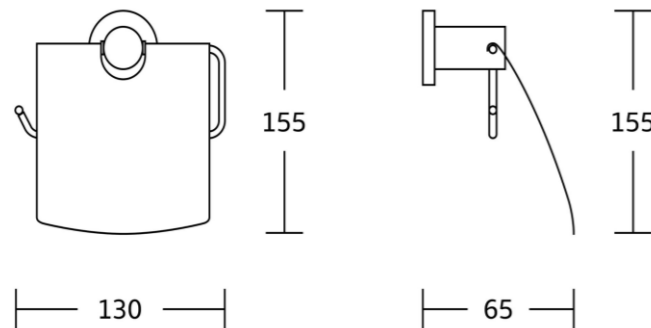
- **Brass Material:** Made from high-quality brass, ensuring durability and resistance to corrosion, this paper holder is built to last and withstand daily use in a bathroom environment.
- **Easy Installation:** Designed for quick and straightforward installation, allowing you to set it up with ease in your bathroom.
- **Durable Construction:** The brass material offers long-lasting performance, making it resistant to wear and tear.
- **Efficient and Practical:** Keeps your paper roll easily accessible and securely stored.
- **Elegant Design:** Adds a touch of sophistication and modern style to your bathroom decor.
- **Simple Installation:** The easy installation process means you can have it set up in no time.

AVAILABLE COLORS

- Chrome plated
- PVD Nickel Brushed
- PVD Hairline Gun Metal
- Metal Black Matte
- PVD Gold Hairline
- PVD Gold Glossy



50133



CRITICAL DIMENSIONS

(Do not scale drawings)

WARRANTY

- Lifetime limited warranty against leaks, drips, and finish defects for the original homeowner.
- Five-year limited warranty for commercial installations.

For detailed warranty information, please visit our website.

KNB Co. reserves the right to revise product specifications without prior notice.



Specifications



Robe Hook

DESCRIPTION

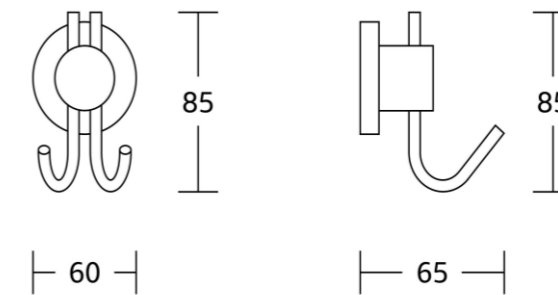
- The Brass Dual Robe Hook is a practical and stylish addition to bathroom
- Made from high-quality brass, it is durable and resistant to corrosion
- Ensuring long-lasting performance
- The hook is easy to install and securely mounts to the wall in just a few simple steps
- This robe hook is both reliable and aesthetically pleasing

AVAILABLE COLORS

- Chrome plated
- PVD Nickel Brushed
- PVD Hairline Gun Metal
- Metal Black Matte
- PVD Gold Hairline
- PVD Gold Glossy



50135



CRITICAL DIMENSIONS

(Do not scale drawings)

WARRANTY

- Lifetime limited warranty against leaks, drips, and finish defects for the original homeowner.
- Five-year limited warranty for commercial installations.

For detailed warranty information, please visit our website.

KNB Co. reserves the right to revise product specifications without prior notice.





Specifications

kitchen & oth
LUXURY BATHROOM ACCESSORIES

Towel Bar

DESCRIPTION

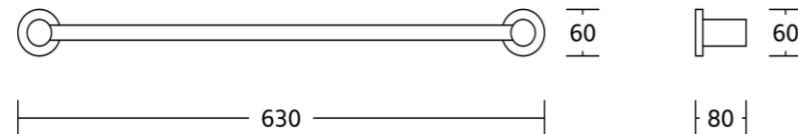
- **Brass Main Construction:** Made from high-quality brass, this towel holder is built to last. Its sturdy construction ensures that it can handle the weight of towels over time while resisting moisture and corrosion.
- **Ideal for Bathroom Use:** Specifically designed for the bathroom environment, it provides an effective way to store towels neatly and conveniently.
- **Secure Mounting Design:** The secure mounting ensures that the towel holder stays firmly in place, even with frequent use, giving you peace of mind.
- **Modern Design:** The sleek and contemporary design allows it to seamlessly integrate into a variety of bathroom styles, whether modern, minimalist, or traditional. It's a simple yet elegant solution to towel storage.



50124

AVAILABLE COLORS

- Chrome plated
- PVD Nickel Brushed
- PVD Hairline Gun Metal
- Metal Black Matte
- PVD Gold Hairline
- PVD Gold Glossy



CRITICAL DIMENSIONS

(Do not scale drawings)

WARRANTY

- Lifetime limited warranty against leaks, drips, and finish defects for the original homeowner.
- Five-year limited warranty for commercial installations.

For detailed warranty information, please visit our website.

KNB Co. reserves the right to revise product specifications without prior notice.



Specifications

kitchen & oth
LUXURY BATHROOM ACCESSORIES

Towel Ring

DESCRIPTION

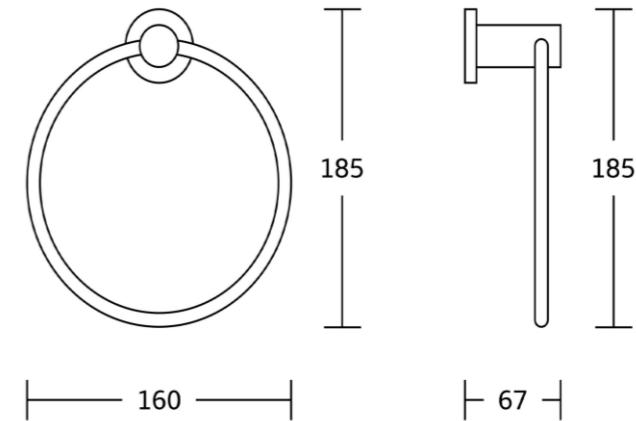
- **Brass Main Construction:** Made from high-quality brass, this towel holder offers long-lasting durability and resistance to corrosion, ensuring it remains a reliable fixture in your bathroom.
- **Ideal for Storing Towels:** The holder is specifically designed to provide an organized and practical solution for storing towels, helping you keep your bathroom neat and tidy.
- **Secure Mounting Design:** Features a strong and secure mounting system that ensures stability and reliability, keeping your towels in place without worry.
- **Modern Design:** Its sleek and modern design makes it versatile and easy to integrate into various bathroom styles, adding a stylish touch to your space.



50132

AVAILABLE COLORS

- Chrome plated
- PVD Nickel Brushed
- PVD Hairline Gun Metal
- Metal Black Matte
- PVD Gold Hairline
- PVD Gold Glossy



CRITICAL DIMENSIONS

(Do not scale drawings)

WARRANTY

- Lifetime limited warranty against leaks, drips, and finish defects for the original homeowner.
- Five-year limited warranty for commercial installations.

For detailed warranty information, please visit our website.

KNB Co. reserves the right to revise product specifications without prior notice.





Specifications

kitchen & oth
LUXURY BATHROOM ACCESSORIES

Towel Ring

DESCRIPTION

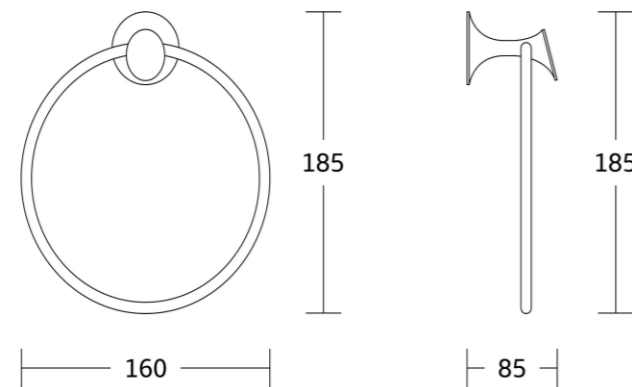
- **Brass Main Construction:** Made from high-quality brass, this towel holder offers long-lasting durability and resistance to corrosion, ensuring it remains a reliable fixture in your bathroom.
- **Ideal for Storing Towels:** The holder is specifically designed to provide an organized and practical solution for storing towels, helping you keep your bathroom neat and tidy.
- **Secure Mounting Design:** Features a strong and secure mounting system that ensures stability and reliability, keeping your towels in place without worry.
- **Modern Design:** Its sleek and modern design makes it versatile and easy to integrate into various bathroom styles, adding a stylish touch to your space.

AVAILABLE COLORS

- Chrome plated
- PVD Nickel Brushed
- PVD Hairline Gun Metal
- Metal Black Matte
- PVD Gold Hairline
- PVD Gold Glossy



51132



CRITICAL DIMENSIONS

(Do not scale drawings)

WARRANTY

- Lifetime limited warranty against leaks, drips, and finish defects for the original homeowner.
- Five-year limited warranty for commercial installations.

For detailed warranty information, please visit our website.

KNB Co. reserves the right to revise product specifications without prior notice.



Specifications

kitchen & oth
LUXURY BATHROOM ACCESSORIES

Towel Bar

DESCRIPTION

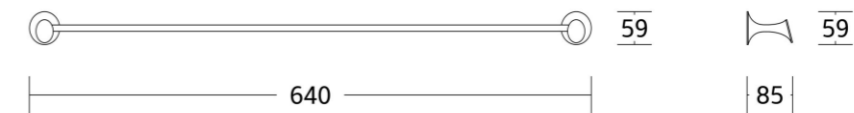
- **Brass Main Construction:** Made from high-quality brass, this towel holder is built to last. Its sturdy construction ensures that it can handle the weight of towels over time while resisting moisture and corrosion.
- **Ideal for Bathroom Use:** Specifically designed for the bathroom environment, it provides an effective way to store towels neatly and conveniently.
- **Secure Mounting Design:** The secure mounting ensures that the towel holder stays firmly in place, even with frequent use, giving you peace of mind.
- **Modern Design:** The sleek and contemporary design allows it to seamlessly integrate into a variety of bathroom styles, whether modern, minimalist, or traditional. It's a simple yet elegant solution to towel storage.

AVAILABLE COLORS

- Chrome plated
- PVD Nickel Brushed
- PVD Hairline Gun Metal
- Metal Black Matte
- PVD Gold Hairline
- PVD Gold Glossy



51124



CRITICAL DIMENSIONS

(Do not scale drawings)

WARRANTY

- Lifetime limited warranty against leaks, drips, and finish defects for the original homeowner.
- Five-year limited warranty for commercial installations.

For detailed warranty information, please visit our website.

KNB Co. reserves the right to revise product specifications without prior notice.





Specifications

kitchen & oth
LUXURY BATHROOM ACCESSORIES

Robe Hook

DESCRIPTION

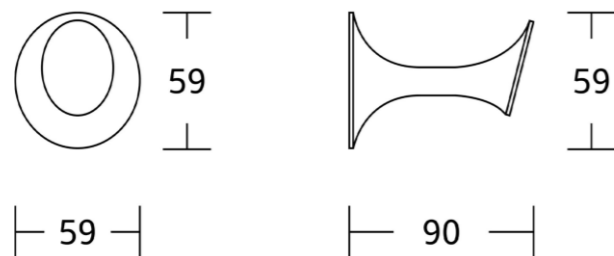
- The Brass Robe Hook is a practical and stylish addition to bathroom
- Made from high-quality brass, it is durable and resistant to corrosion
- Ensuring long-lasting performance
- The hook is easy to install and securely mounts to the wall in just a few simple steps
- This robe hook is both reliable and aesthetically pleasing

AVAILABLE COLORS

- Chrome plated
- PVD Nickel Brushed
- PVD Hairline Gun Metal
- Metal Black Matte
- PVD Gold Hairline
- PVD Gold Glossy



51135



CRITICAL DIMENSIONS

(Do not scale drawings)

WARRANTY

- Lifetime limited warranty against leaks, drips, and finish defects for the original homeowner.
- Five-year limited warranty for commercial installations.

For detailed warranty information, please visit our website.

KNB Co. reserves the right to revise product specifications without prior notice.



Specifications

kitchen & oth
LUXURY BATHROOM ACCESSORIES

Towel Ring

DESCRIPTION

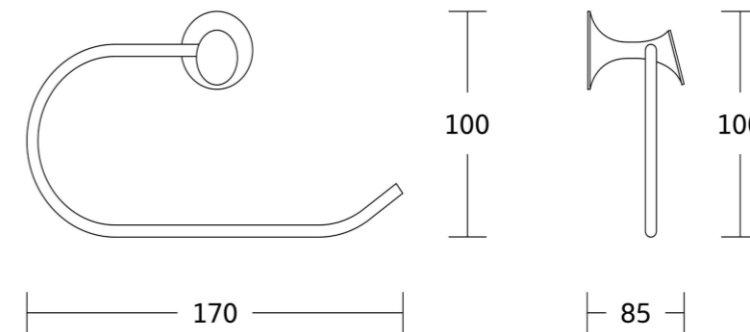
- Brass Main Construction: Made from high-quality brass, this towel holder offers long-lasting durability and resistance to corrosion, ensuring it remains a reliable fixture in your bathroom.
- Ideal for Storing Towels: The holder is specifically designed to provide an organized and practical solution for storing towels, helping you keep your bathroom neat and tidy.
- Secure Mounting Design: Features a strong and secure mounting system that ensures stability and reliability, keeping your towels in place without worry.
- Modern Design: Its sleek and modern design makes it versatile and easy to integrate into various bathroom styles, adding a stylish touch to your space.

AVAILABLE COLORS

- Chrome plated
- PVD Nickel Brushed
- PVD Hairline Gun Metal
- Metal Black Matte
- PVD Gold Hairline
- PVD Gold Glossy



51133B



CRITICAL DIMENSIONS

(Do not scale drawings)

WARRANTY

- Lifetime limited warranty against leaks, drips, and finish defects for the original homeowner.
- Five-year limited warranty for commercial installations.

For detailed warranty information, please visit our website.

KNB Co. reserves the right to revise product specifications without prior notice.





Specifications

kitchen & oth
LUXURY BATHROOM ACCESSORIES

Tumbler

DESCRIPTION

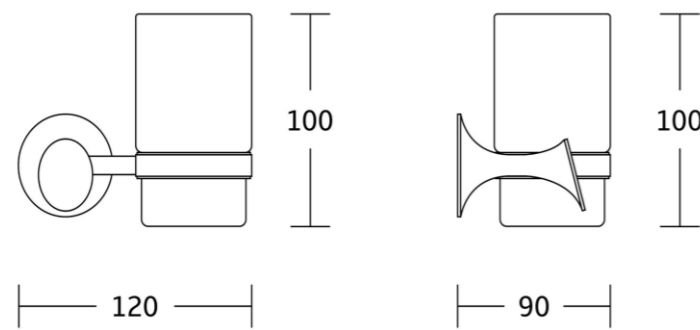
- **Brass Main Holder:** Made from high-quality brass, this holder ensures a sturdy, long-lasting design that resists corrosion and rust, making it perfect for a bathroom environment.
- **Frosted Glass Cup:** The frosted glass dish provides a stylish, smooth surface to store small bathroom essentials like soap, sponges, or jewelry. Its frosted finish helps prevent smudges and maintains a sleek appearance.
- **Easy Installation:** This holder comes with an easy-to-follow installation process, ensuring that you can set it up quickly and securely in your bathroom.



51138

AVAILABLE COLORS

- Chrome plated
- PVD Nickel Brushed
- PVD Hairline Gun Metal
- Metal Black Matte
- PVD Gold Hairline
- PVD Gold Glossy



CRITICAL DIMENSIONS

(Do not scale drawings)

WARRANTY

- Lifetime limited warranty against leaks, drips, and finish defects for the original homeowner.
- Five-year limited warranty for commercial installations.

For detailed warranty information, please visit our website.

KNB Co. reserves the right to revise product specifications without prior notice.



Specifications

kitchen & oth
LUXURY BATHROOM ACCESSORIES

Soap Dish

DESCRIPTION

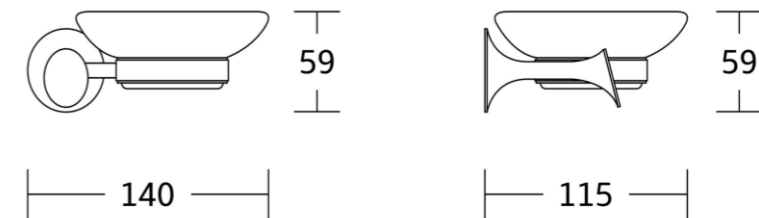
- **Brass Main Holder:** Crafted from high-quality brass, the holder is sturdy and resistant to rust, making it perfect for a humid bathroom environment. It ensures long-lasting durability and strength.
- **Frosted Glass Dish:** The frosted glass dish adds a touch of sophistication while providing a practical space for small items like soap, sponges, or other bathroom essentials. Its smooth, frosted finish prevents smudges and keeps it looking sleek.
- **Easy to Install:** The holder is designed for easy installation, making it simple to mount on the wall without the need for professional help. Securely attached, it stays in place even with frequent use.



51139

AVAILABLE COLORS

- Chrome plated
- PVD Nickel Brushed
- PVD Hairline Gun Metal
- Metal Black Matte
- PVD Gold Hairline
- PVD Gold Glossy



CRITICAL DIMENSIONS

(Do not scale drawings)

WARRANTY

- Lifetime limited warranty against leaks, drips, and finish defects for the original homeowner.
- Five-year limited warranty for commercial installations.

For detailed warranty information, please visit our website.

KNB Co. reserves the right to revise product specifications without prior notice.





Specifications

kitchen & oth
LUXURY BATHROOM ACCESSORIES

Soap Dish

DESCRIPTION

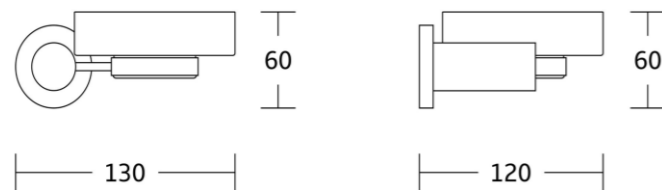
- **Brass Main Holder:** Crafted from high-quality brass, the holder is sturdy and resistant to rust, making it perfect for a humid bathroom environment. It ensures long-lasting durability and strength.
- **Frosted Glass Dish:** The frosted glass dish adds a touch of sophistication while providing a practical space for small items like soap, sponges, or other bathroom essentials. Its smooth, frosted finish prevents smudges and keeps it looking sleek.
- **Easy to Install:** The holder is designed for easy installation, making it simple to mount on the wall without the need for professional help. Securely attached, it stays in place even with frequent use.



50139

AVAILABLE COLORS

- Chrome plated
- PVD Nickel Brushed
- PVD Hairline Gun Metal
- Metal Black Matte
- PVD Gold Hairline
- PVD Gold Glossy



CRITICAL DIMENSIONS

(Do not scale drawings)

WARRANTY

- Lifetime limited warranty against leaks, drips, and finish defects for the original homeowner.
- Five-year limited warranty for commercial installations.

For detailed warranty information, please visit our website.

KNB Co. reserves the right to revise product specifications without prior notice.



Specifications

kitchen & oth
LUXURY BATHROOM ACCESSORIES

Tumbler

DESCRIPTION

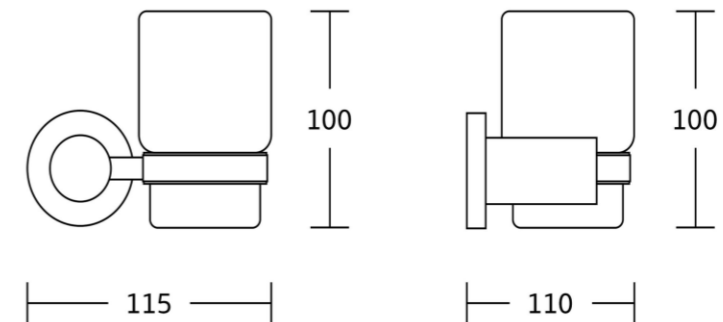
- **Brass Main Holder:** Made from high-quality brass, this holder ensures a sturdy, long-lasting design that resists corrosion and rust, making it perfect for a bathroom environment.
- **Frosted Glass Cup:** The frosted glass dish provides a stylish, smooth surface to store small bathroom essentials like soap, sponges, or jewelry. Its frosted finish helps prevent smudges and maintains a sleek appearance.
- **Easy Installation:** This holder comes with an easy-to-follow installation process, ensuring that you can set it up quickly and securely in your bathroom.



50138

AVAILABLE COLORS

- Chrome plated
- PVD Nickel Brushed
- PVD Hairline Gun Metal
- Metal Black Matte
- PVD Gold Hairline
- PVD Gold Glossy



CRITICAL DIMENSIONS

(Do not scale drawings)

WARRANTY

- Lifetime limited warranty against leaks, drips, and finish defects for the original homeowner.
- Five-year limited warranty for commercial installations.

For detailed warranty information, please visit our website.

KNB Co. reserves the right to revise product specifications without prior notice.





Specifications

kitchen & oth
LUXURY BATHROOM ACCESSORIES

Pull Down Kitchen Mixer

DESCRIPTION

- Single-lever handle provides easy and precise control of water flow and temperature.
- Durable ceramic disc valves exceed industry longevity standards, ensuring long-lasting performance.
- Flexible water supply hose with G1/2" adator, 70mm stretch length of pull out hose
- Standard flow rate: 2.2 GPM (9 L/min) at 60 PSI (4.1 bar).
- Optional low-flow rates (1.0 GPM / 1.2 GPM) available for water-saving purposes.
- Temperature adjustment controlled within a 25° arc of handle travel.
- Features clear hot and cold temperature indicators.

MATERIAL

- Premium brass construction ensures durability and reliability.
- High-quality surface finishes resist corrosion and tarnishing for a refined appearance.

INSTALLATION

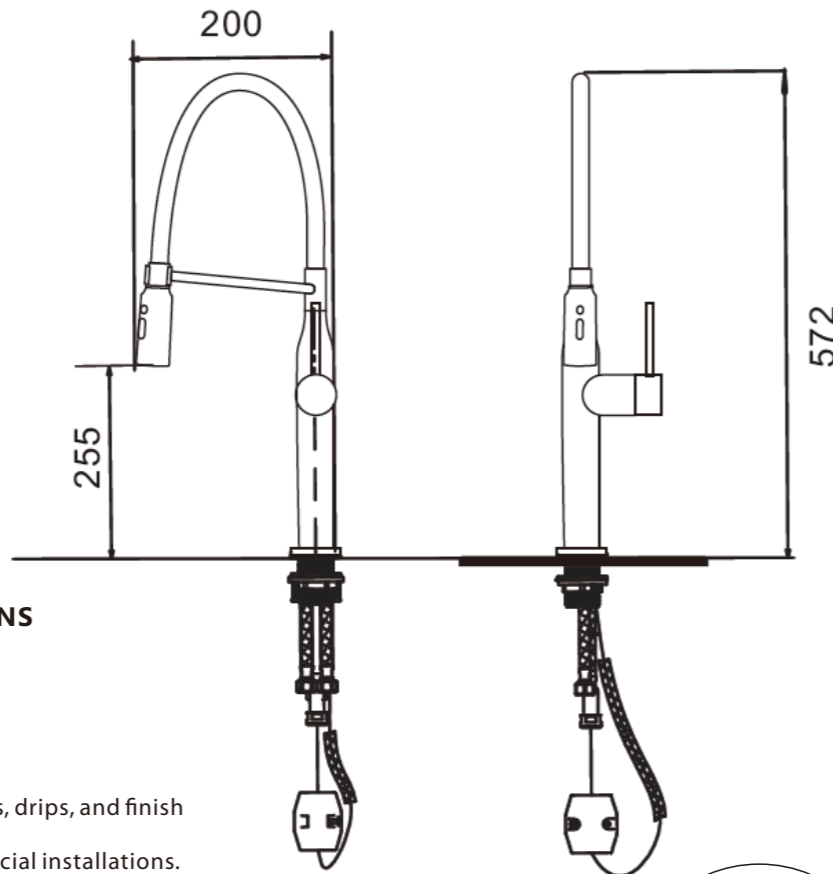
- This Faucet is designed for single hole deck mount min. Dia 1-3/8" (35mm).
- Pre-attached flexible hot and cold water supply lines simplify installation.

AVAILABLE COLORS

- Chrome Polished
- PVD Nickel Brushed
- PVD Hairline Gun Grey
- Matte Black Plus
- PVD Gold Glossy



AL-6805



CRITICAL DIMENSIONS
(Do not scale drawings)

WARRANTY

- Lifetime limited warranty against leaks, drips, and finish defects for the original homeowner.
- Five-year limited warranty for commercial installations.

For detailed warranty information, please visit our website.

KNB Co. reserves the right to revise product specifications without prior notice.



Save Earth
No matter the result, remember to recycle.
reuse, and flatten when clean



Specifications

kitchen & oth
LUXURY BATHROOM ACCESSORIES

Pull Out Kitchen Mixer

DESCRIPTION

- Single-lever handle provides easy and precise control of water flow and temperature.
- Durable ceramic disc valves exceed industry longevity standards, ensuring long-lasting performance.
- Flexible water supply hose with G1/2" adator, 70mm stretch length of pull out hose
- Standard flow rate: 2.2 GPM (9 L/min) at 60 PSI (4.1 bar).
- Optional low-flow rates (1.0 GPM / 1.2 GPM) available for water-saving purposes.
- Temperature adjustment controlled within a 25° arc of handle travel.
- Features clear hot and cold temperature indicators.

MATERIAL

- Premium brass construction ensures durability and reliability.
- High-quality surface finishes resist corrosion and tarnishing for a refined appearance.

INSTALLATION

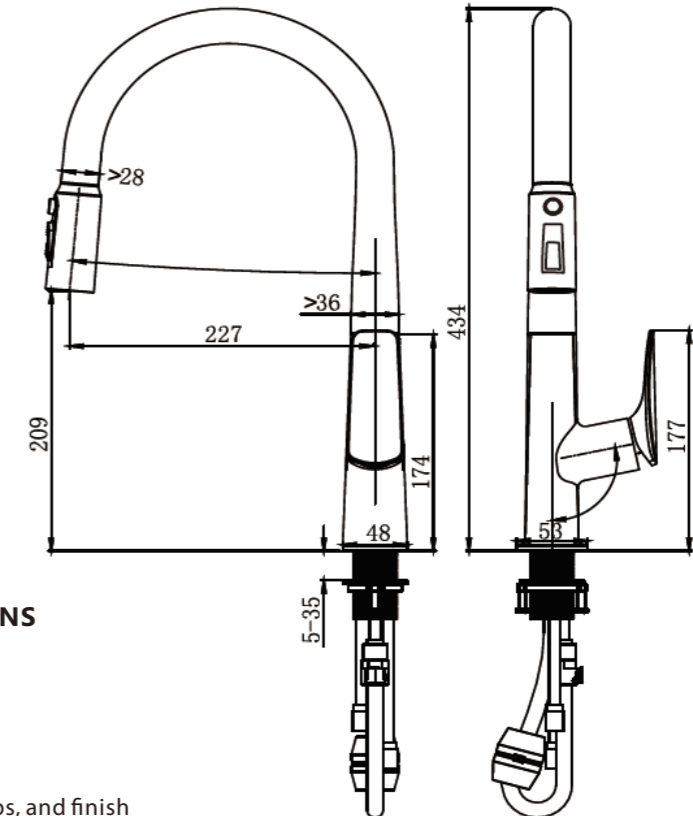
- This Faucet is designed for single hole deck mount min. Dia 1-3/8" (35mm).
- Pre-attached flexible hot and cold water supply lines simplify installation.

AVAILABLE COLORS

- Chrome Polished
- PVD Nickel Brushed
- PVD Hairline Gun Grey
- Matte Black Plus
- PVD Gold Glossy



AL-6805B



CRITICAL DIMENSIONS
(Do not scale drawings)

WARRANTY

- Lifetime limited warranty against leaks, drips, and finish defects for the original homeowner.
- Five-year limited warranty for commercial installations.

For detailed warranty information, please visit our website.

KNB Co. reserves the right to revise product specifications without prior notice.



Save Earth
No matter the result, remember to recycle.
reuse, and flatten when clean





Specifications



Angle Valve

DESCRIPTION

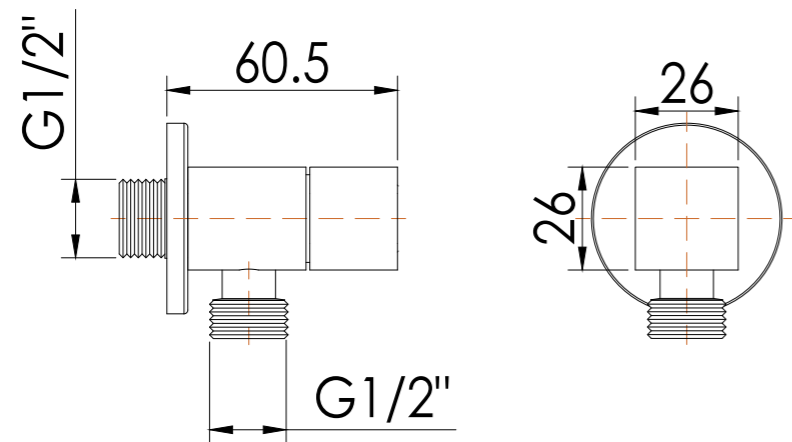
- Household plumbing fixtures - faucets, toilets, dishwashers, icemakers, washing machines, etc.
- BrassCraft 1/2 in/Outlet
- 1/4-Turn Angle Valve controls, With a 90° turn of the valve handle
- Allowing for maintenance and repair without shutting off the water to the entire home.
- Chrome-plated brass
- Temperature rating: 40° to 160°
- Pressure rating: 125 psi maximum

AVAILABLE COLORS

- Chrome plated
- PVD Nickel Brushed
- PVD Hairline Gun Metal
- Metal Black Matte
- PVD Gold Hairline
- PVD Gold Glossy



AL-9704



CRITICAL DIMENSIONS
(Do not scale drawings)

WARRANTY

- Lifetime limited warranty against leaks, drips, and finish defects for the original homeowner.
- Five-year limited warranty for commercial installations.

For detailed warranty information, please visit our website.

KNB Co. reserves the right to revise product specifications without prior notice.



Specifications



Angle Valve

DESCRIPTION

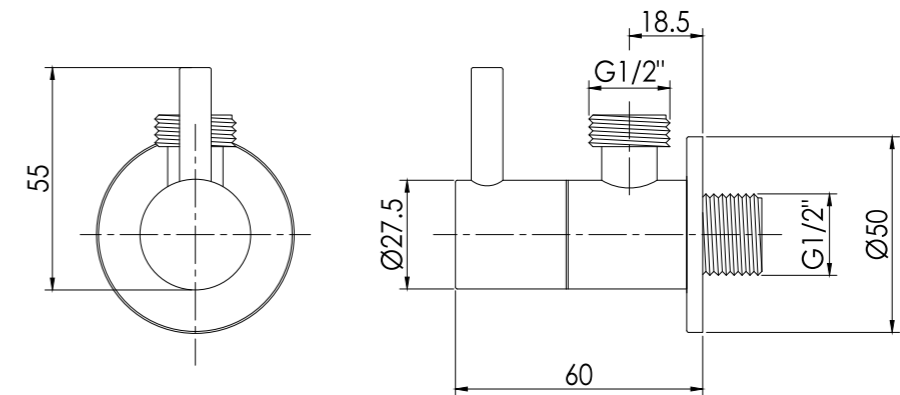
- Household plumbing fixtures - faucets, toilets, dishwashers, icemakers, washing machines, etc.
- BrassCraft 1/2 in/Outlet
- 1/4-Turn Angle Valve controls, With a 90° turn of the valve handle
- Allowing for maintenance and repair without shutting off the water to the entire home.
- Chrome-plated brass
- Temperature rating: 40° to 160°
- Pressure rating: 125 psi maximum

AVAILABLE COLORS

- Chrome plated
- PVD Nickel Brushed
- PVD Hairline Gun Metal
- Metal Black Matte
- PVD Gold Hairline
- PVD Gold Glossy



AL-9704



CRITICAL DIMENSIONS
(Do not scale drawings)

WARRANTY

- Lifetime limited warranty against leaks, drips, and finish defects for the original homeowner.
- Five-year limited warranty for commercial installations.

For detailed warranty information, please visit our website.

KNB Co. reserves the right to revise product specifications without prior notice.





Specifications

kitchen & oth
LUXURY BATHROOM ACCESSORIES

Pull Out Kichen Mixer

DESCRIPTION

- Single-lever handle provides easy and precise control of water flow and temperature.
- Durable ceramic disc valves exceed industry longevity standards, ensuring long-lasting performance.
- Flexible water supply hose with G1/2" adator,70mm stretch length of pull out hose
- Standard flow rate: 2.2 GPM (9 L/min) at 60 PSI (4.1 bar).
- Optional low-flow rates (1.0 GPM / 1.2 GPM) available for water-saving purposes.
- Temperature adjustment controlled within a 25° arc of handle travel.
- Features clear hot and cold temperature indicators.

MATERIAL

- Premium brass construction ensures durability and reliability.
- High-quality surface finishes resist corrosion and tarnishing for a refined appearance.

INSTALLATION

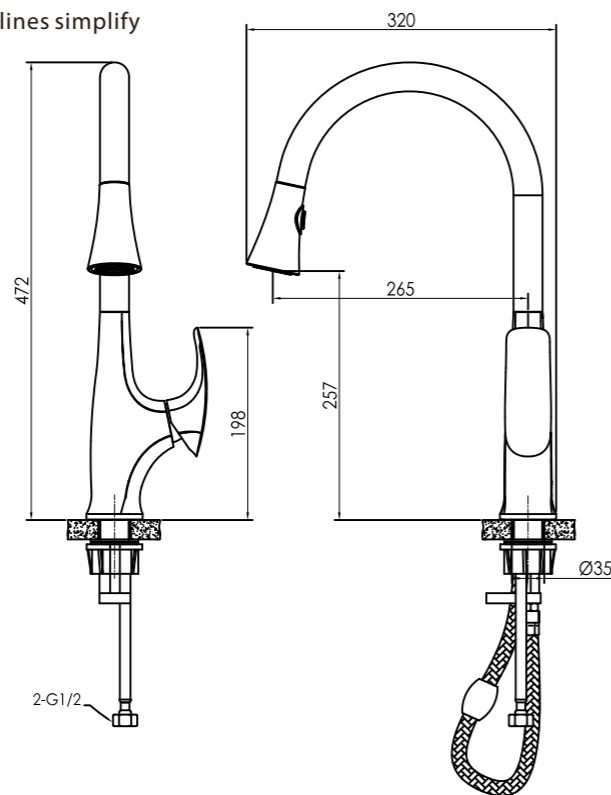
- This Faucet is designed for single hole deck mount min.Dia 1-3/8"(35mm) .
- Pre-attached flexible hot and cold water supply lines simplify installation.

AVAILABLE COLORS

- Chrome Polished
- PVD Nickel Brushed
- PVD Hairline Gun Grey
- Matte Black Plus
- PVD Gold Glossy



AL-0613P



CRITICAL DIMENSIONS

(Do not scale drawings)

WARRANTY

- Lifetime limited warranty against leaks, drips, and finish defects for the original homeowner.
- Five-year limited warranty for commercial installations.

For detailed warranty information, please visit our website.

KNB Co. reserves the right to revise product specifications without prior notice.



Save Earth

No matter the result,remember to recycle, reuse,and flatten when clean



Specifications

kitchen & oth
LUXURY BATHROOM ACCESSORIES

Pull Out Kichen Mixer

DESCRIPTION

- Single-lever handle provides easy and precise control of water flow and temperature.
- Durable ceramic disc valves exceed industry longevity standards, ensuring long-lasting performance.
- Flexible water supply hose with G1/2" adator,70mm stretch length of pull out hose
- Standard flow rate: 2.2 GPM (9 L/min) at 60 PSI (4.1 bar).
- Optional low-flow rates (1.0 GPM / 1.2 GPM) available for water-saving purposes.
- Temperature adjustment controlled within a 25° arc of handle travel.
- Features clear hot and cold temperature indicators.

MATERIAL

- Premium brass construction ensures durability and reliability.
- High-quality surface finishes resist corrosion and tarnishing for a refined appearance.

INSTALLATION

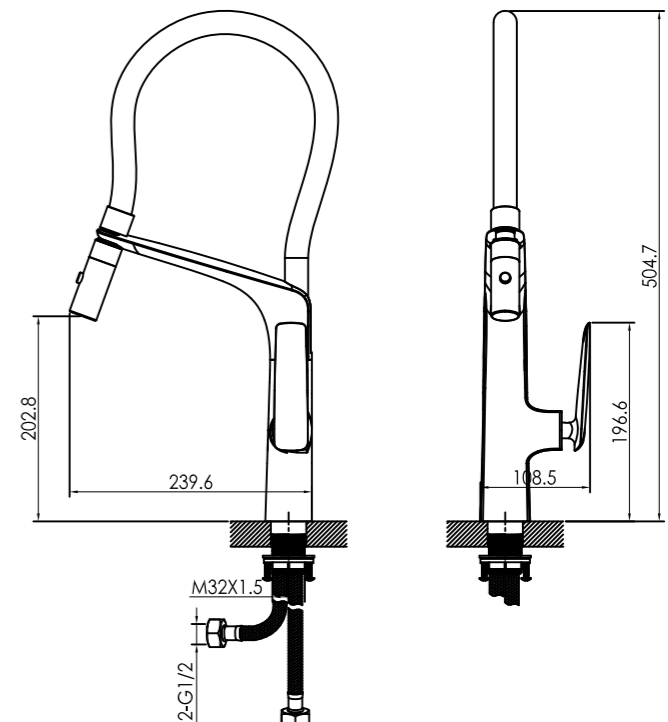
- This Faucet is designed for single hole deck mount min.Dia 1-3/8"(35mm) .
- Pre-attached flexible hot and cold water supply lines simplify installation.

AVAILABLE COLORS

- Chrome Polished
- PVD Nickel Brushed
- PVD Hairline Gun Grey
- Matte Black Plus
- PVD Gold Glossy



AL-0515



CRITICAL DIMENSIONS

(Do not scale drawings)

WARRANTY

- Lifetime limited warranty against leaks, drips, and finish defects for the original homeowner.
- Five-year limited warranty for commercial installations.

For detailed warranty information, please visit our website.

KNB Co. reserves the right to revise product specifications without prior notice.



Save Earth

No matter the result,remember to recycle, reuse,and flatten when clean





Specifications

kitchen & oth
LUXURY BATHROOM ACCESSORIES

Kichen Sink

DESCRIPTION

- This deep sink with a small radius corner and center drain accommodates large cookware like stockpots and roasting pans, providing an uninterrupted workspace.
- The bottom X guide lines ensure quick drainage and the stainless steel drain prevents pipe blockage.
- Heavy Construction: Crafted from extra-thick 11Ga (3mm thick throughout) T304 stainless steel, this stainless steel kitchen sink guarantees superior strength and durability.
- The commercial-grade construction with a satin finish resists dirt and grime, ensuring easy cleaning and a seamless match with most kitchen appliances.



HM-6045

INSTALLATION TYPE

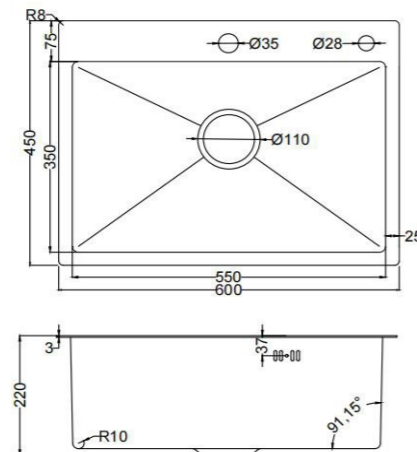
- Topmount
- Flashmount
- Undermount.

ACCESSORIES INCLUDED

- Colander * 1Pcs
- Siphon * 1Set

CARTRIDGE

- Satin
- PVD Black



CRITICAL DIMENSIONS
(DO NOT SCALE)

WARRANTY

- Lifetime limited warranty against leaks, drips and finish defects to the original homeowner
- 5 year limited warranty when used in a commercial installation

See website for detailed warranty information.

KNB Co. reserves the right to make revisions without notice to prduct specifications.



Specifications

kitchen & oth
LUXURY BATHROOM ACCESSORIES

Kichen Sink

DESCRIPTION

- Featuring a dual-layer sliding design, equipped with a movable basin, draining basket, and cutting board.
- Easily achieve partitioned operations by flexibly moving accessories.
- The dedicated pull-out faucet allows easy operation within a range of 23 inches in extension.
- Four cleaning modes: stream, spray, rinse, waterfall.
- The waterfall mode flows with even and soft water.
- A knob switches between faucet and waterfall modes.
- Extra-thick sound-deadening pads cover all directions of the sink.
- Anti-condensation coating prevents water from accumulating at the bottom of the sink and keeps the cabinets dry.



WF-7546

INSTALLATION TYPE

- Topmount
- Flashmount
- Undermount.

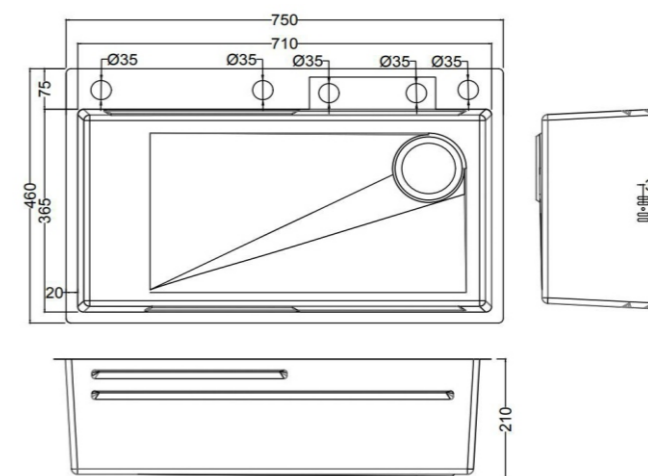
ACCESSORIES INCLUDED

- Cutting Board * 1Pcs
- Siphon * 1Set
- Pull-out Faucet * 1Pcs
- Water Purification Faucet * 1Pcs
- Glass Rinser * 1Pcs
- Soap Dispenser * 1Pcs

CARTRIDGE

- Satin
- PVD Black

COLOR OPTIONS



CRITICAL DIMENSIONS
(DO NOT SCALE)

WARRANTY

- Lifetime limited warranty against leaks, drips and finish defects to the original homeowner
- 5 year limited warranty when used in a commercial installation

See website for detailed warranty information.

KNB Co. reserves the right to make revisions without notice to prduct specifications.





Specifications

kitchen & oth
LUXURY BATHROOM ACCESSORIES

Kichen Sink

DESCRIPTION

- Featuring a dual-layer sliding design, equipped with a movable basin, draining basket, and cutting board.
- Easily achieve partitioned operations by flexibly moving accessories.
- The dedicated pull-out faucet allows easy operation within a range of 23 inches in extension.
- Four cleaning modes: stream, spray, rinse, waterfall.
- The waterfall mode flows with even and soft water.
- A knob switches between faucet and waterfall modes.
- Extra-thick sound-deadening pads cover all directions of the sink.
- Anti-condensation coating prevents water from accumulating at the bottom of the sink and keeps the cabinets dry.

INSTALLATION TYPE

- Topmount
- Flashmount
- Undermount.

ACCESSORIES INCLUDED

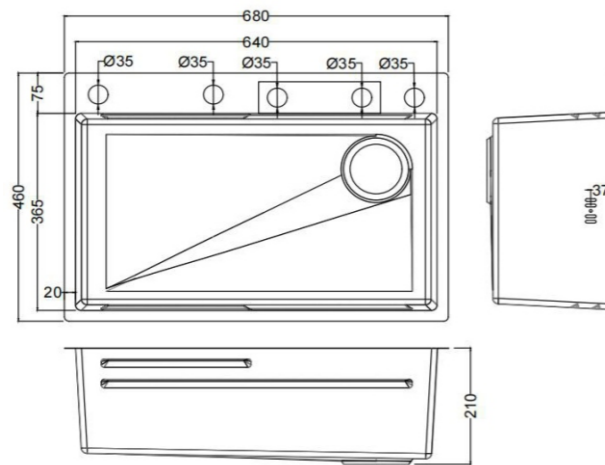
- Cutting Board * 1Pcs
- Siphon * 1Set
- Pull-out Faucet * 1Pcs
- Water Purification Faucet * 1Pcs
- Glass Rinser * 1Pcs
- Soap Dispenser * 1Pcs

CARTRIDGE

- Satin
- PVD Black



WF-6846



CRITICAL DIMENSIONS
(DO NOT SCALE)

WARRANTY

- Lifetime limited warranty against leaks, drips and finish defects to the original homeowner
- 5 year limited warranty when used in a commercial installation

See website for detailed warranty information.

KNB Co. reserves the right to make revisions without notice to prduct specifications.



Specifications

kitchen & oth
LUXURY BATHROOM ACCESSORIES

Kichen Sink

DESCRIPTION

- Featuring a dual-layer sliding design, equipped with a movable basin, draining basket, and cutting board.
- Easily achieve partitioned operations by flexibly moving accessories.
- The dedicated pull-out faucet allows easy operation within a range of 23 inches in extension.
- Four cleaning modes: stream, spray, rinse, waterfall.
- The waterfall mode flows with even and soft water.
- A knob switches between faucet and waterfall modes.
- Extra-thick sound-deadening pads cover all directions of the sink.
- Anti-condensation coating prevents water from accumulating at the bottom of the sink and keeps the cabinets dry.

INSTALLATION TYPE

- Topmount
- Flashmount
- Undermount.

ACCESSORIES INCLUDED

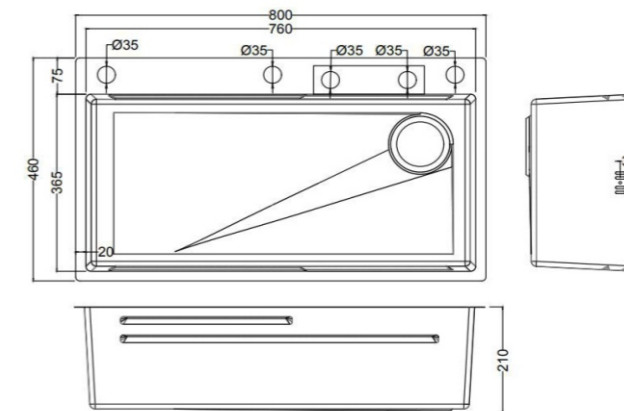
- Cutting Board * 1Pcs
- Siphon * 1Set
- Pull-out Faucet * 1Pcs
- Water Purification Faucet * 1Pcs
- Glass Rinser * 1Pcs
- Soap Dispenser * 1Pcs

CARTRIDGE

- Satin
- PVD Black



WF-8046



CRITICAL DIMENSIONS
(DO NOT SCALE)

WARRANTY

- Lifetime limited warranty against leaks, drips and finish defects to the original homeowner
- 5 year limited warranty when used in a commercial installation

See website for detailed warranty information.

KNB Co. reserves the right to make revisions without notice to prduct specifications.





Specifications

Pop Up Waste

DESCRIPTION

- Brass main construction for bidet clean
- Connections G1-1/4"
- Without overflow

OPERATION

- Pop up type
- Overflow optional

COLOR OPTIONS

- Chrome plated
- PVD Nickel Brushed
- PVD Hairline Gun Metal
- Metal Black Matte
- PVD Gold Hairline
- PVD Gold Glossy



AL-9214

knowledge tips

how to define a good quality of plumbing drain



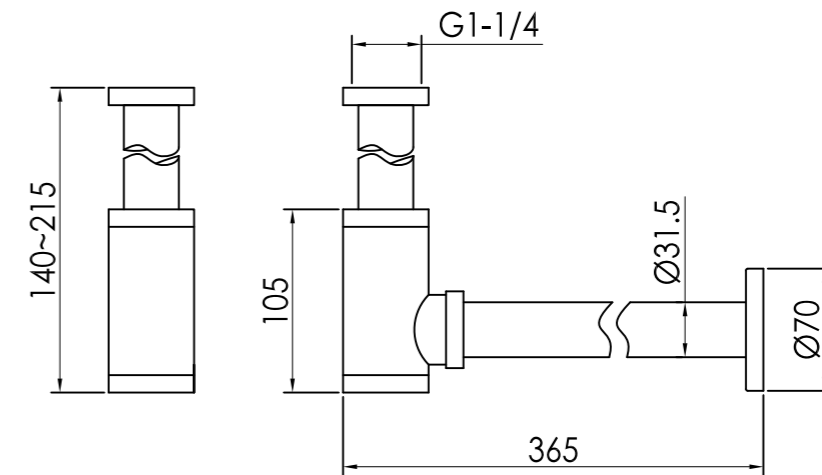
How to Clean Your Bathroom Sink Drain
plumber cleaning a bathroom sink drain Is your bathroom's sink backing up and producing an unpleasant stench? We don't spend a lot of time thinking about our bathroom sink drain until it gives you a reason to.

An awful smell Black-colored gunk.

Water drains slower and slower each passing day. All of us will encounter one or all of these at some point, but luckily there are a number of methods that can be used to fix your bathroom sink drains and keep them clean. The more time passes without a cleaning, the more it will cost to repair or have drain cleaning service. As a result, keeping your bathroom sink clean is critical. In this article, we'll walk you through some steps you can take to clean your bathroom sink drain and help you understand when it's time to call for



To clear out the opening of the sink, first take a cupful or two of rock salt (pickling salt) and pour it down around the drain opening, making sure it's gone down all the way into any areas where waste might have built up over time. Then cover this area up with dampened paper towels so that no more will go in. In about 10 minutes, flush the drain with hot water and you should have no trouble clearing out all blockages.



CRITICAL DIMENSIONS
(DO NOT SCALE)

WARRANTY

- Lifetime limited warranty against leaks, drips and finish defects to the original homeowner
- 5 year limited warranty when used in a commercial installation

See website for detailed warranty information.

KNB Co. reserves the right to make revisions without notice to product specifications.



Save Earth
No matter the result, remember to recycle, reuse, and flatten when clean.





Specifications

kitchen & oth
LUXURY BATHROOM ACCESSORIES

Pop Up Waste

DESCRIPTION

- Brass main construction for bidet clean
- Connections G1-1/4"
- Without overflow

OPERATION

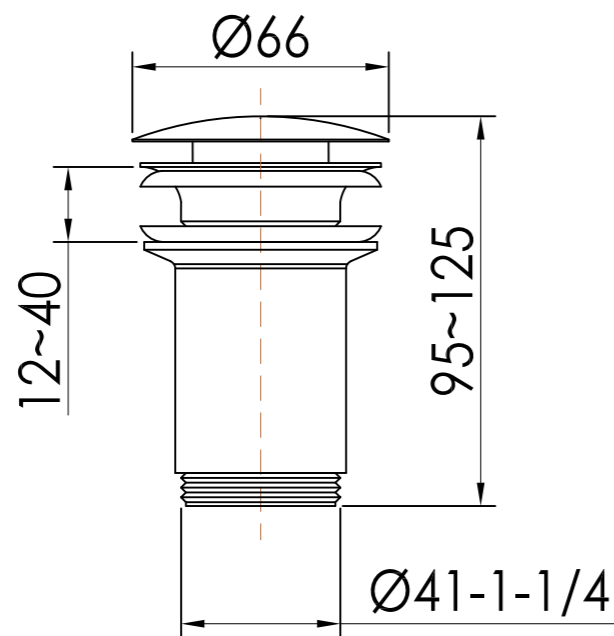
- Pop up type
- Overflow optional

COLOR OPTIONS

- Chrome plated
- PVD Nickel Brushed
- PVD Hairline Gun Metal
- Metal Black Matte
- PVD Gold Hairline
- PVD Gold Glossy



AL-9308P



CRITICAL DIMENSIONS
(DO NOT SCALE)

WARRANTY

- Lifetime limited warranty against leaks, drips and finish defects to the original homeowner
- 5 year limited warranty when used in a commercial installation

See website for detailed warranty information.

KNB Co. reserves the right to make revisions without notice to product specifications.



Save Earth

No matter the result, remember to recycle, reuse, and flatten when clean



Specifications

kitchen & oth
LUXURY BATHROOM ACCESSORIES

Pop Up Waste

DESCRIPTION

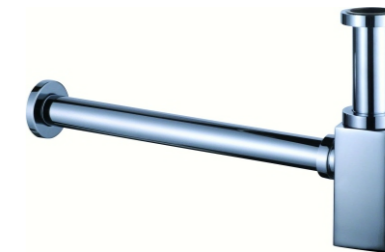
- Brass main construction for bidet clean
- Connections G1-1/4"
- Without overflow

OPERATION

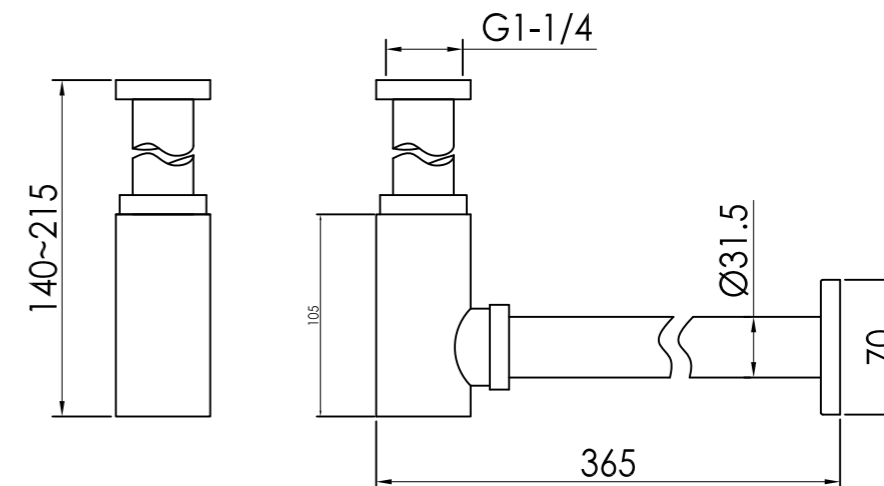
- Pop up type
- Overflow optional

COLOR OPTIONS

- Chrome plated
- PVD Nickel Brushed
- PVD Hairline Gun Metal
- Metal Black Matte
- PVD Gold Hairline
- PVD Gold Glossy



AL-9216



CRITICAL DIMENSIONS
(DO NOT SCALE)

WARRANTY

- Lifetime limited warranty against leaks, drips and finish defects to the original homeowner
- 5 year limited warranty when used in a commercial installation

See website for detailed warranty information.

KNB Co. reserves the right to make revisions without notice to product specifications.



Save Earth

No matter the result, remember to recycle, reuse, and flatten when clean





Specifications

kitchen & oth
LUXURY BATHROOM ACCESSORIES

Floor Standing Bathtub Mixer

DESCRIPTION

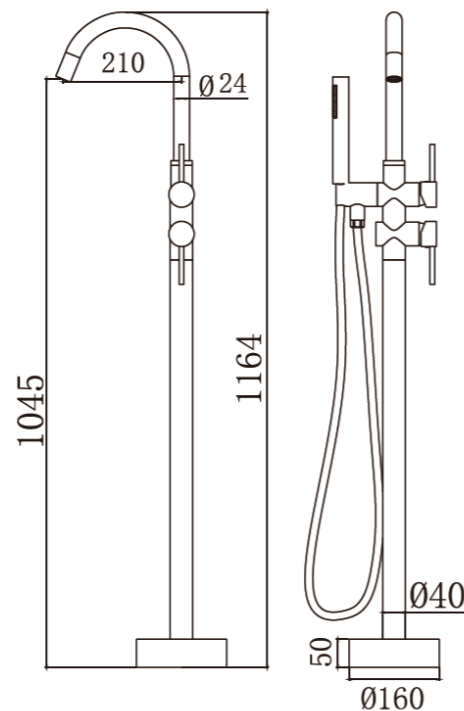
- Brass main construction for bidet clean
- Connections G1-1/4"
- Without overflow

OPERATION

- Pop up type
- Overflow optional

COLOR OPTIONS

- Chrome plated
- PVD Nickel Brushed
- PVD Hairline Gun Metal
- Metal Black Matte
- PVD Gold Hairline
- PVD Gold Glossy



CRITICAL DIMENSIONS
(DO NOT SCALE)

WARRANTY

- Lifetime limited warranty against leaks, drips and finish defects to the original homeowner
- 5 year limited warranty when used in a commercial installation

See website for detailed warranty information.

KNB Co. reserves the right to make revisions without notice to product specifications.



Save Earth
No matter the result, remember to recycle, reuse, and flatten when clean



Specifications

kitchen & oth
LUXURY BATHROOM ACCESSORIES

Floor Standing Bathtub Mixer

DESCRIPTION

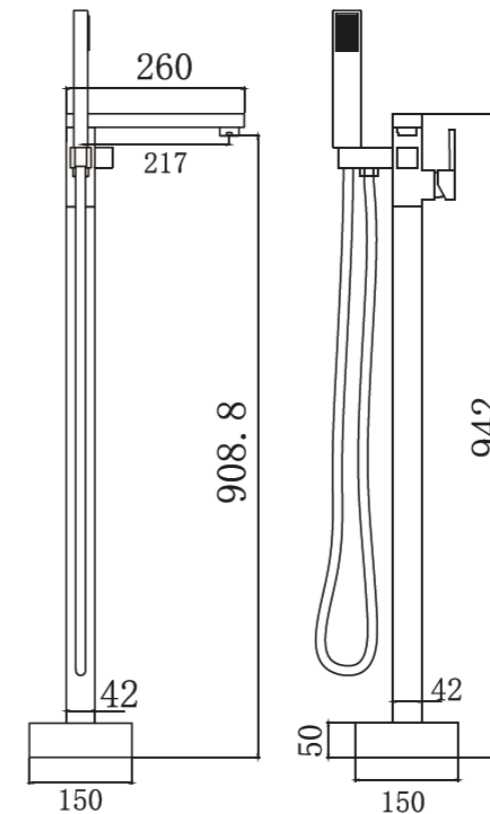
- Brass main construction for bidet clean
- Connections G1-1/4"
- Without overflow

OPERATION

- Pop up type
- Overflow optional

COLOR OPTIONS

- Chrome plated
- PVD Nickel Brushed
- PVD Hairline Gun Metal
- Metal Black Matte
- PVD Gold Hairline
- PVD Gold Glossy



CRITICAL DIMENSIONS
(DO NOT SCALE)

WARRANTY

- Lifetime limited warranty against leaks, drips and finish defects to the original homeowner
- 5 year limited warranty when used in a commercial installation

See website for detailed warranty information.

KNB Co. reserves the right to make revisions without notice to product specifications.



Save Earth
No matter the result, remember to recycle, reuse, and flatten when clean





Specifications

kitchen & oth
LUXURY BATHROOM ACCESSORIES

Floor Trap

DESCRIPTION

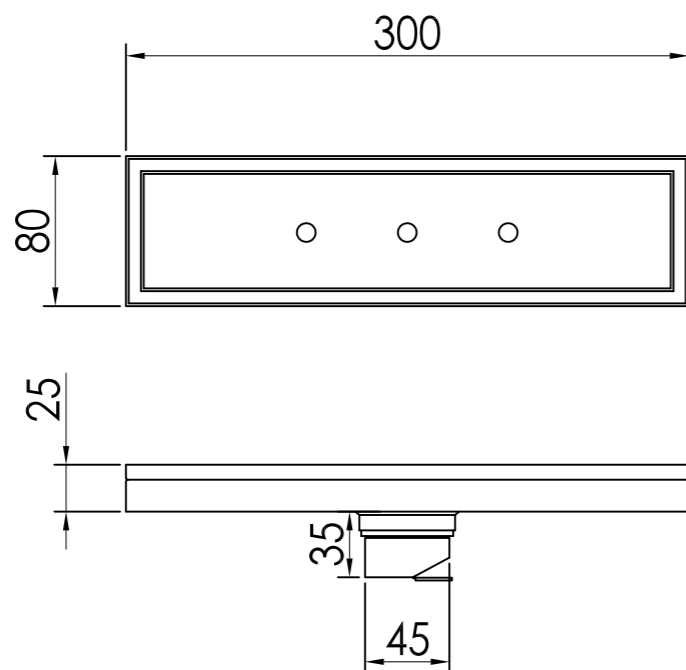
- SUS304 material construction
- Size: 300x80mm
- Stealth tile installation
- Hairline finished

COLOR OPTIONS

- SUS304 Hairline
- PVD Nickel Brushed
- PVD Hairline Gun Metal
- Metal Black Matte
- PVD Gold Hairline
- PVD Gold Glossy



AL-FD30X8



CRITICAL DIMENSIONS
(DO NOT SCALE)

WARRANTY

- Lifetime limited warranty against leaks, drips and finish defects to the original homeowner
- 5 year limited warranty when used in a commercial installation

See website for detailed warranty information.

KNB Co. reserves the right to make revisions without notice to product specifications.



Specifications

kitchen & oth
LUXURY BATHROOM ACCESSORIES

Floor Trap

DESCRIPTION

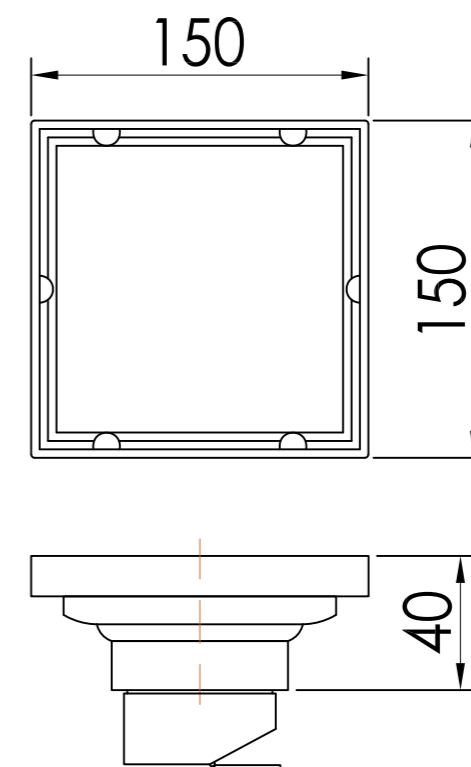
- Brass material construction
- Size: 150x150mm
- Stealth tile installation
- Chrome finished

COLOR OPTIONS

- Chrome plated
- PVD Nickel Brushed
- PVD Hairline Gun Metal
- Metal Black Matte
- PVD Gold Hairline
- PVD Gold Glossy



AL-FT15



CRITICAL DIMENSIONS
(DO NOT SCALE)

WARRANTY

- Lifetime limited warranty against leaks, drips and finish defects to the original homeowner
- 5 year limited warranty when used in a commercial installation

See website for detailed warranty information.

KNB Co. reserves the right to make revisions without notice to product specifications.





Specifications

Floor Drain

DESCRIPTION

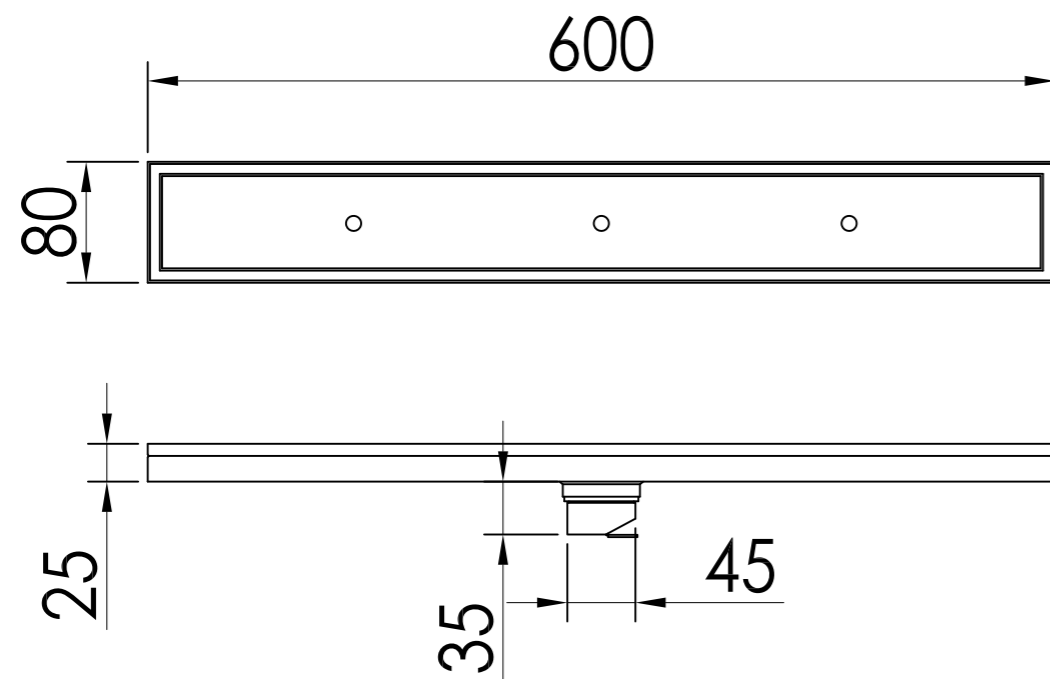
- SUS304 material construction
- Size: 600x80mm
- Stealth tile installation
- Hairline finished

COLOR OPTIONS

- SUS304 Hairline
- PVD Nickel Brushed
- PVD Hairline Gun Metal
- Metal Black Matte
- PVD Gold Hairline
- PVD Gold Glossy



AL-FD60X8



CRITICAL DIMENSIONS
(DO NOT SCALE)

WARRANTY

- Lifetime limited warranty against leaks, drips and finish defects to the original homeowner
- 5 year limited warranty when used in a commercial installation

See website for detailed warranty information.

KNB Co. reserves the right to make revisions without notice to product specifications.



Specifications

Concealed Cistern

DESCRIPTION

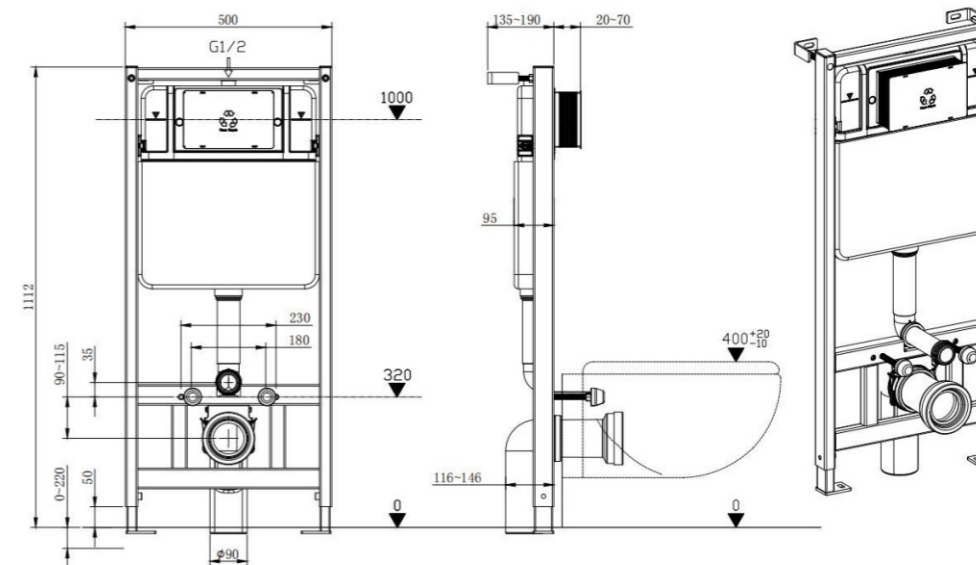
- SUS304 material construction
- Size: 600x80mm
- Stealth tile installation
- Hairline finished

COLOR

- Blue



AJ100



CRITICAL DIMENSIONS
(DO NOT SCALE)

WARRANTY

- Lifetime limited warranty against leaks, drips and finish defects to the original homeowner
- 5 year limited warranty when used in a commercial installation

See website for detailed warranty information.

KNB Co. reserves the right to make revisions without notice to product specifications.





KNB
kitchen & bathroom

Focused on Kithchen & Bathroom

KNB Brands is a globally recognized leader in innovative kitchen and bathroom solutions, specializing in premium faucets, fixtures, and accessories. With a strong commitment to quality and design, KNB Brands integrates cutting-edge technology and craftsmanship to create products that blend functionality and style seamlessly.

Founded on the principles of excellence and sustainability, KNB Brands serves customers in over 100 countries through a robust network of distribution hubs across Asia, Europe, the Americas, and the Middle East. The company operates state-of-the-art manufacturing facilities equipped with advanced technologies to ensure precision and durability in every product.

With a diverse and talented workforce, KNB Brands upholds the highest standards of innovation and customer satisfaction, delivering products that enhance everyday living.